

Important Safety Instructions

 This icon means a potentially hazardous situation which, if not avoided, could result in death or serious injury.

Obey the following warnings:

 **Read and understand all warnings on the equipment.**

- Carefully read and understand the Assembly and Owner's Manual.
- Keep bystanders and children away from the product you are assembling at all times.
- Do not try to change the design or functionality of this machine. This could compromise the safety of this machine and will void the warranty.
- Before each use, examine this machine for loose parts or signs of wear. Do not use if found in this condition. Contact Customer Service (if inside US/Canada) or your local distributor (if outside US/Canada) for repair information.
- If replacement parts are necessary use only genuine Nautilus replacement parts and hardware. Failure to use genuine replacement parts can cause a risk to users, keep the machine from operating correctly and void the warranty.
- Do not use until the machine has been fully assembled and inspected for correct performance in accordance with the Owner's Manual.
- The Barbell/Curl Bar is very heavy. If you are not using the optional Barbell Stand, put the Barbell/Curl Bar assembly directly on the floor for best support.
- Do all assembly steps in the sequence given. Incorrect assembly can lead to injury.

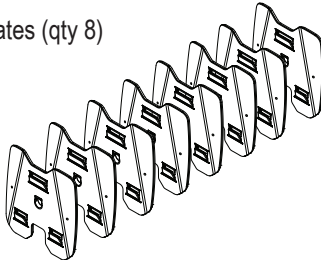
If you need assistance, contact Customer Service (if inside US/Canada) or your local distributor (if outside US/Canada). To find your local international distributor, go to: www.nautilusinternational.com

Nautilus, Inc., 5415 Centerpoint Parkway, Groveport, OH 43125 USA, www.NautilusInc.com - Customer Service: North America (800) 605-3369, csnls@nautilus.com | Nautilus (Shanghai) Fitness Equipments Co, Ltd, Room 1701 &1702, 1018 Changning Road, Changning District, Shanghai, China 200042, www.nautilus.cn - 86 21 6115 9668 | outside U.S. www.nautilusinternational.com | Printed in China | © 2019 Nautilus, Inc. | Bowflex, the B logo and SelectTech are trademarks owned by or licensed to Nautilus, Inc., which are registered or otherwise protected by common law in the United States and other countries. | ORIGINAL DOCUMENT - ENGLISH VERSION ONLY

 **Refer to the Bowflex™ SelectTech™ 2080 Barbell with Curl Bar Assembly/Owner's Manual for complete safety instructions.**

Parts

5-lb (2.27 kg) Weight Plates (qty 8)



Tools



6 mm
#2

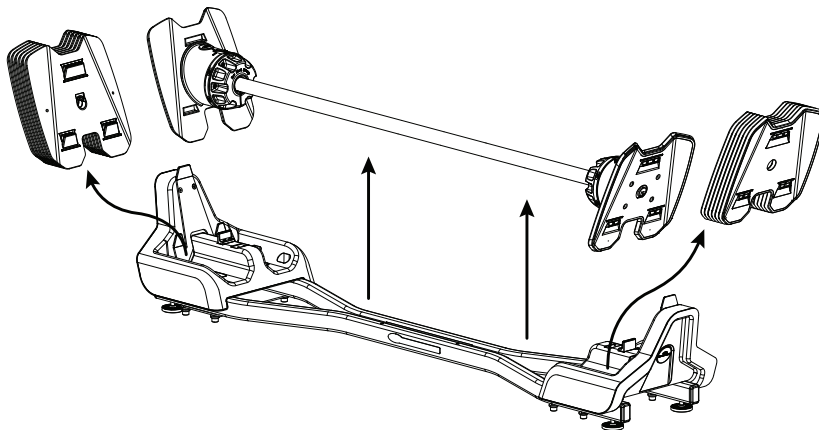


Weight: 18.1 kg (40 lbs)
Dimensions (Barbell set with Weight Upgrade plates): 158.6 cm L x 29.8 cm W x 32.2 cm H (62.4" x 11.7" x 12.7")

Assembly

1. Remove the Barbell and Weight Plates from the Base

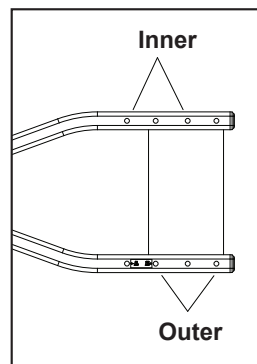
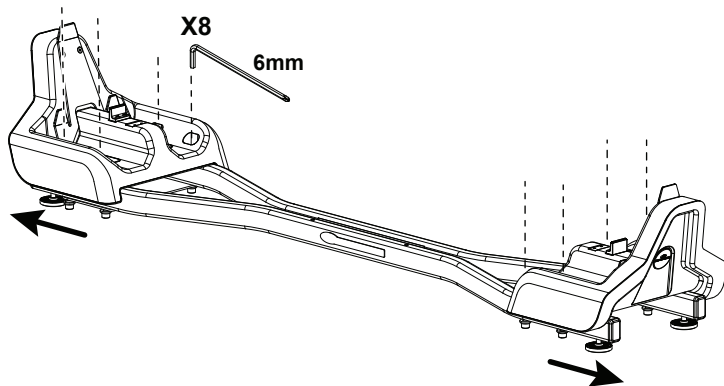
Note: Before removing the Barbell, set the adjustment knobs to the lowest weight selection (9.1 kg /20 lbs.).



2. Loosen the Screws and Slide the Base End Shrouds Outward

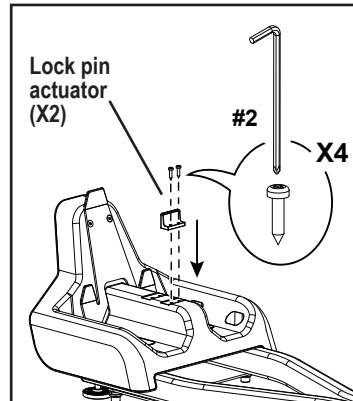
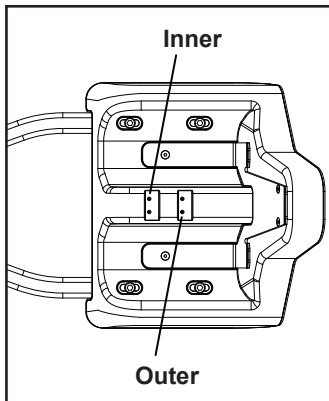
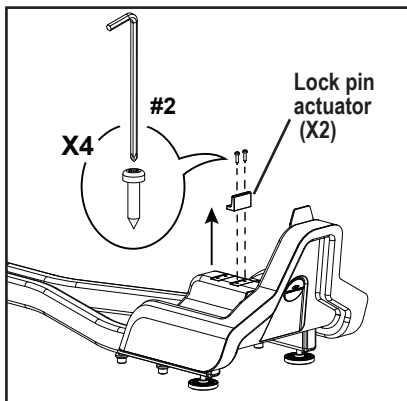
NOTICE: Do not remove the screws. Align Shrouds with the outer set of screw holes in the Base Tubes to fit the 120-lb barbell configuration.

Note: Do not fully tighten screws. Shrouds should still slide.



3. Move Lock Pin Actuators

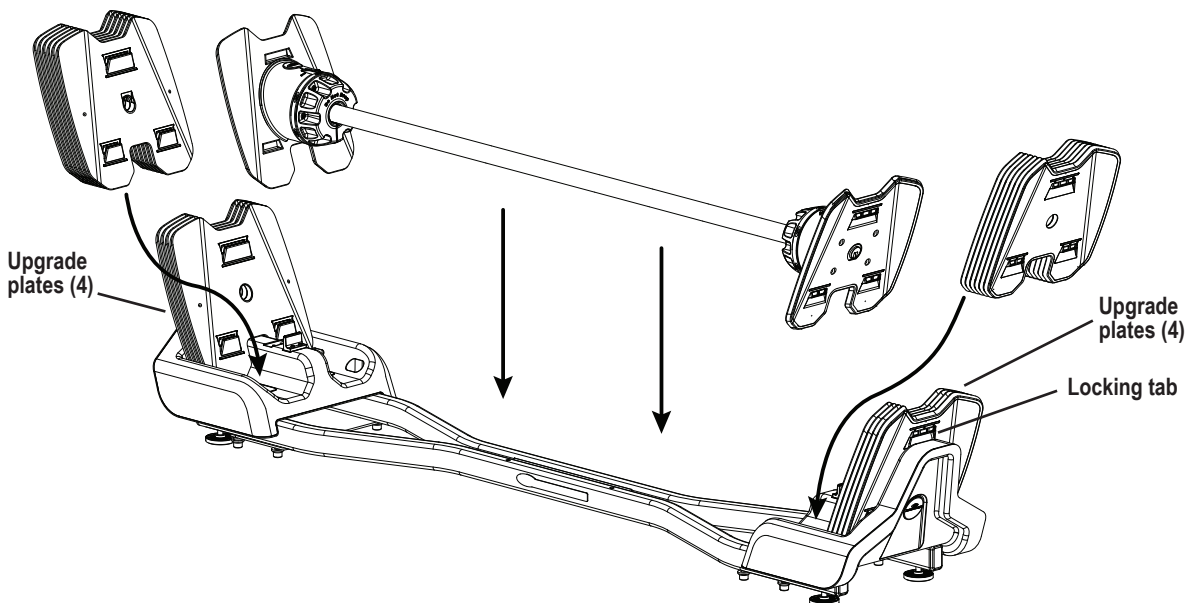
NOTICE: Remove the Lock Pin Actuators and re-install in the inner set of screw holes in the Base End Shrouds to fit the 120-lb barbell configuration.



4. Put Upgrade Weight Plates, Original Weight Plates and Barbell Assembly in the Base

! In order to avoid possible serious injury, when placing the Weight Plates in the Base Assembly, be careful to avoid fingers or hands being caught or pinched.

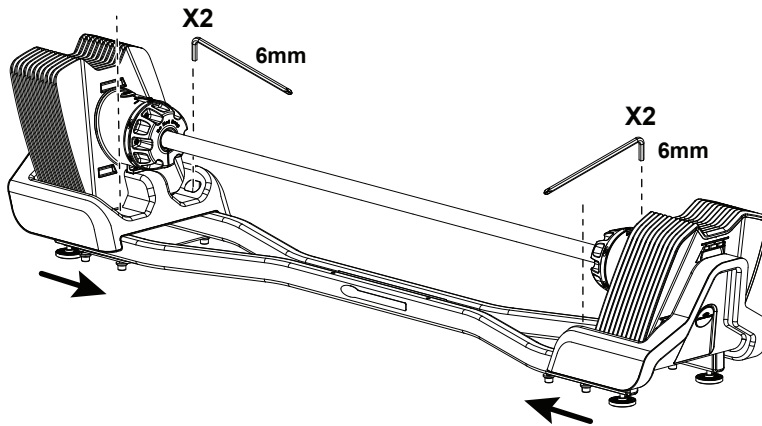
Note: Be sure that the Weight Plates are fully seated in the Base. Ensure there are no large gaps between Weight Plates, and all weight plate tabs are aligned and locked together. Make sure the locking tab at the top of each Base End Shroud is seated in the selection lip at the top of the back Weight Plate.



5. Adjust Base End Shrouds

! In order to avoid possible serious injury, when placing the Weight Plates in the Base Assembly, be careful to avoid fingers or hands being caught or pinched.

Note: Push the shrouds inward. Tighten the inner screws. To tighten the outer screws, it may be necessary to remove the Barbell and Weight Plates. This adjustment is important for proper function and easier re-racking. If the barbell is difficult to re-rack after assembly, it may be necessary to repeat this process.



6. Final Inspection

Inspect your machine to ensure that all hardware is tight and components are properly assembled.

! Do not use until the machine has been fully assembled and inspected for correct performance in accordance with the Owner's Manual.

