

BowFlex HVT: Noises - Metallic grinding or scraping

ID: 13939.1

Follow this troubleshooting guide to help resolve noise issues on the BowFlex HVT.

Some common complaints may include:

- Metallic grinding/scraping noises

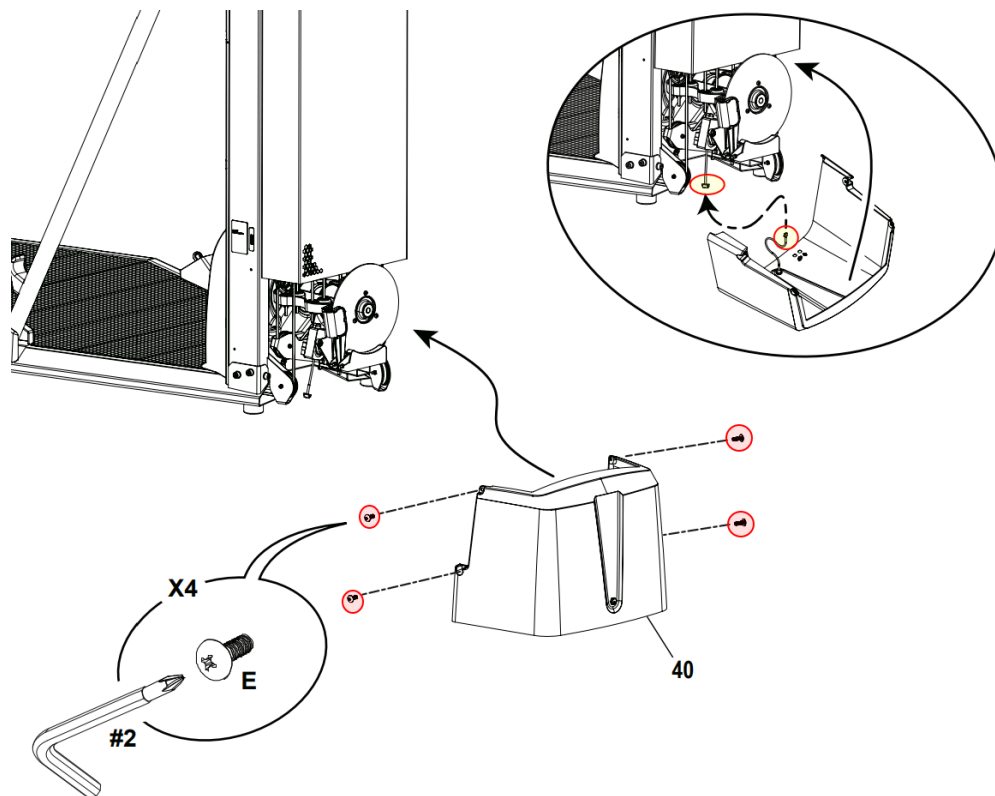
Follow these steps to troubleshoot the issue

Tools you may need:

Phillips head screwdriver
Flathead screwdriver
6mm hex/Allen wrench, or the wrench from the hardware card included with your machine

1. Inspect the brake disc for contact with the magnets. Remove the lower rear cover (**reference 1**) using a Phillips head screwdriver. The power inlet wire must be unplugged prior to fully removing the cover.

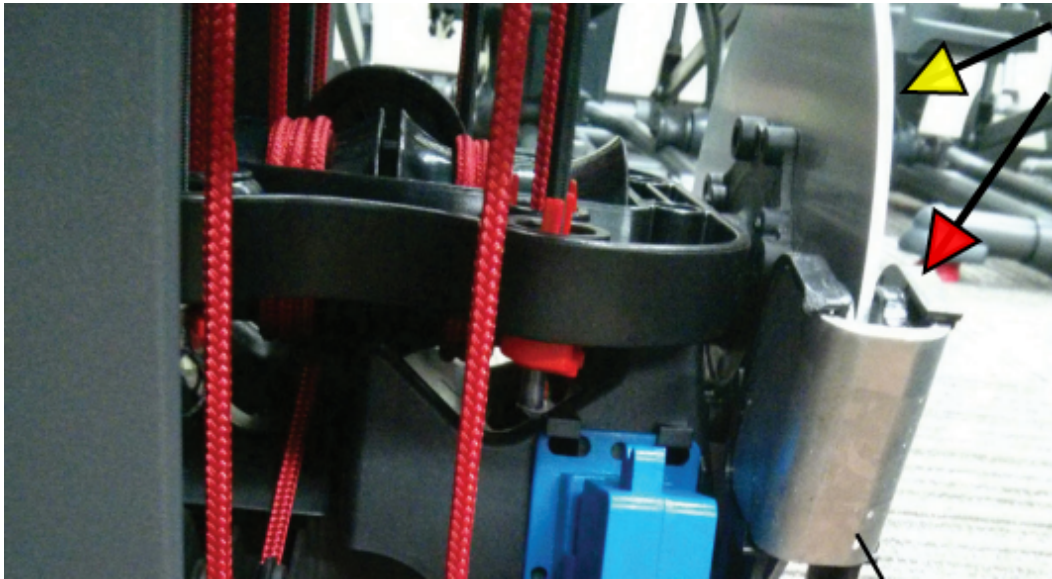
(Reference 1)



The screws to remove are circled in red. Unplug the power inlet wire (red/yellow circles) before completely removing the rear cover

2. Once the cover is removed, locate the brake disc and magnet (**reference 2**). The magnets should not be making contact with the brake disc. If they are making contact, check if the magnets have broken off of the brake arm (**reference 3**). If the magnets are broken off of the brake arm or continue to rub on the brake disc, [order a Brake Arm Assembly \[13939.A\]](#).

(Reference 2)



Inspect the brake disc (yellow arrow) and the brake disc magnets (red arrow).

(Reference 3)



A more detailed view of the magnets in the brake arm, all magnets should be present.

Need to order replacement parts?

1 Parts Reference Table

<i>Part Description</i>	<i>Part SKU</i>
Brake Arm Assembly	8016292

2 Contact Tech Team / Advanced Troubleshooting

If the issue was not resolved in the steps listed, contact the Tech Team or send an Advanced Troubleshooting case.

Submit a Case with case type Advanced Troubleshooting