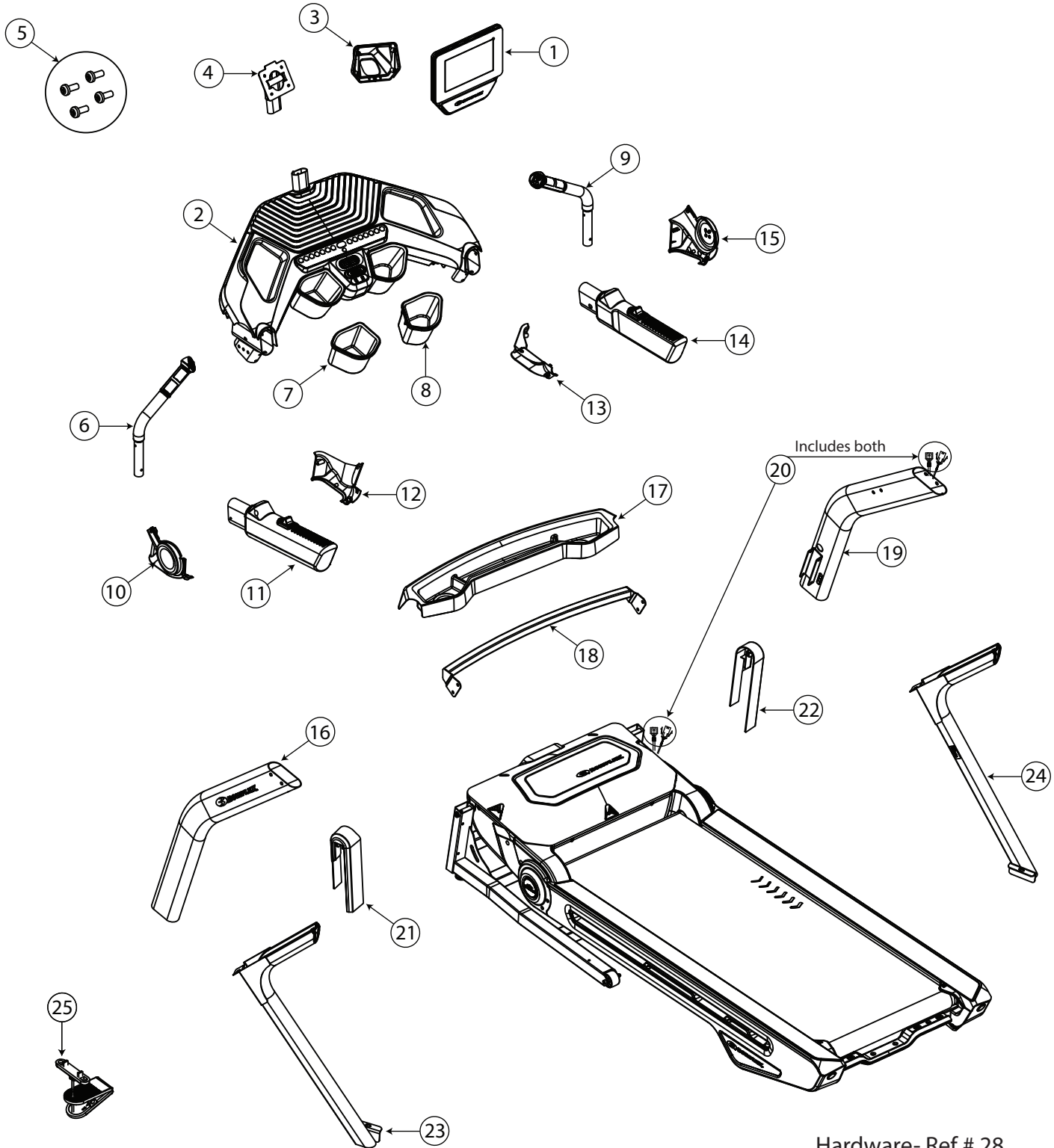
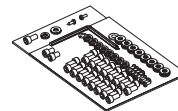


TITLE EXP VIEW DWG- BFX TREADMILL 10			
DRAWN R. Peterson	DOC. PART NO. 100909-W	PRODUCT SKU NO. 100909	REV. E
DATE 04/28/2021			

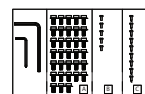


Hardware- Ref # 28

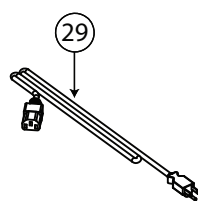
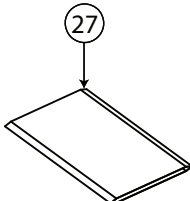
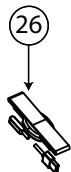
There are two styles of hardware configurations depending on manufacturing date. Match hardware to what came with machine originally. DO NOT send both versions, it is not 100% compatible!

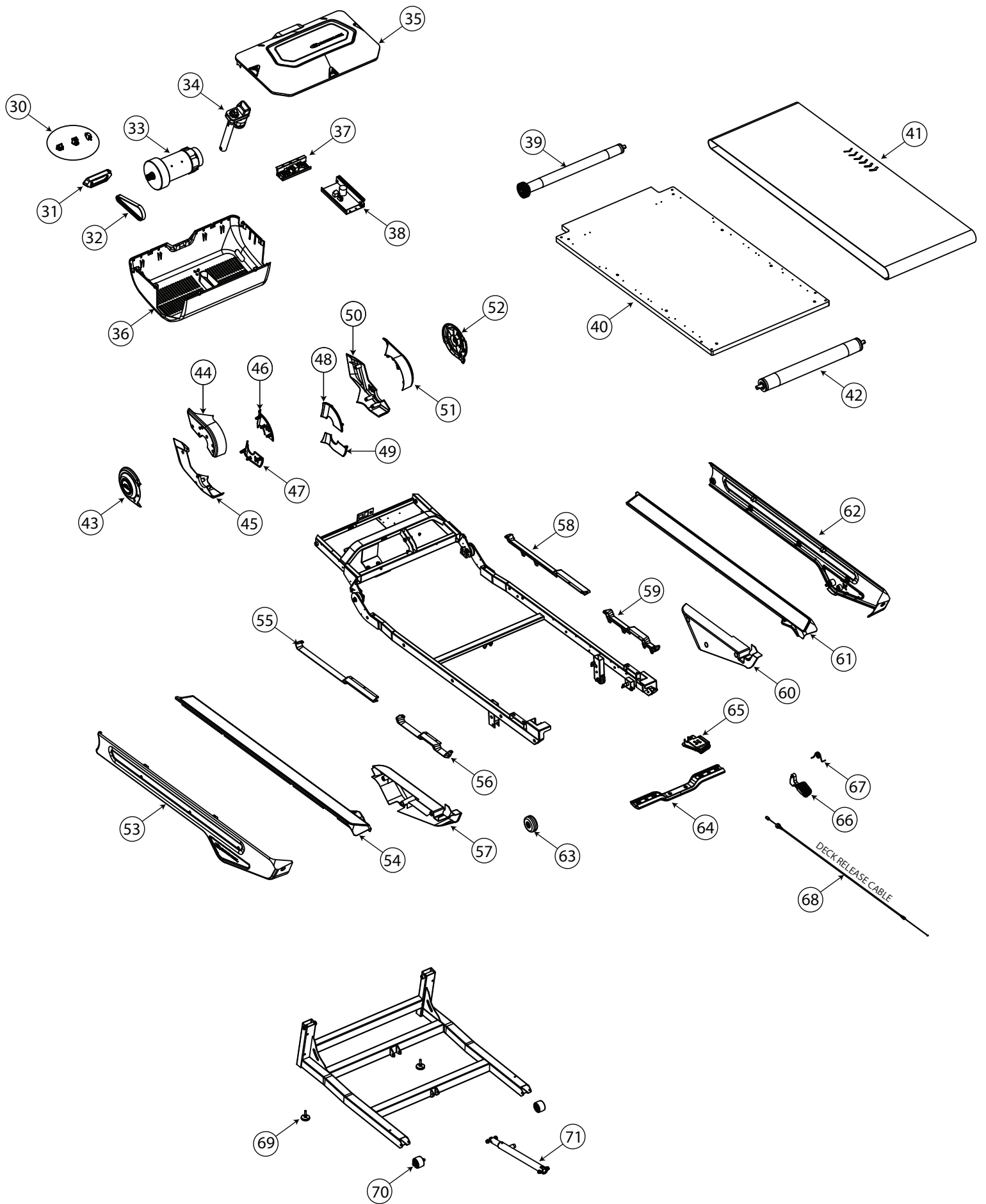


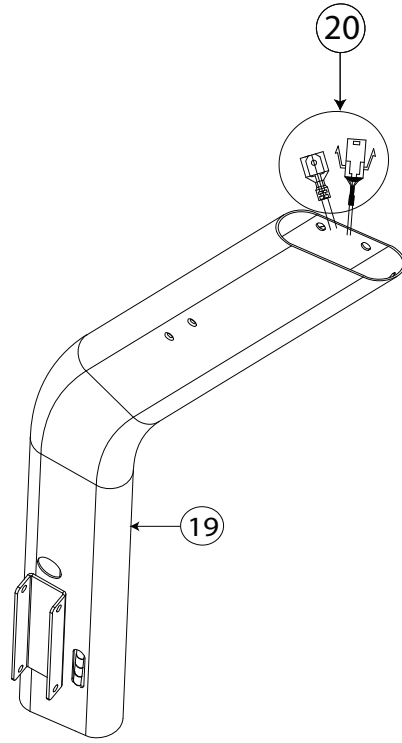
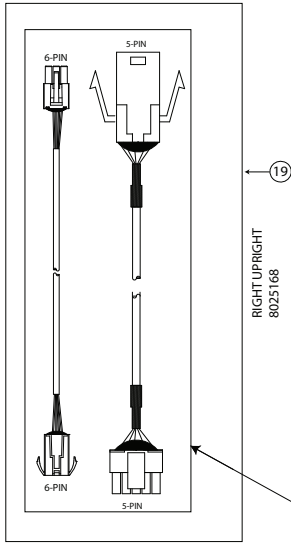
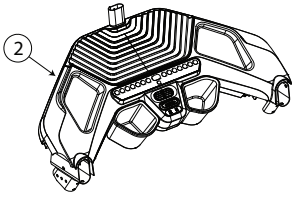
8024270 - Hardware packaged on CARD, includes user assembled washers. mfg date code 2247 or earlier



8030241- Hardware packaged in BAG, screws have built in washer flange. mfg date code 2248 or later







20
Includes both

