



BOWFLEX

SelectTech 560

*Dumbbells with **3DT***

ASSEMBLY / OWNER'S MANUAL



Manual en Español
Latino Americano:
www.support.nautilus.com

Introduction / Table of Contents / Registration

Congratulations on your purchase of the Bowflex® SelectTech® 560 Dumbbell set. This innovative dumbbell is a versatile training tool that will help you reach your fitness goals. This product has been carefully engineered and manufactured to provide a wide array of weight options starting at 5 lbs (2.3 kg) and going all the way up to 60 lbs (27.2 kg). The Bowflex® SelectTech® 560 Dumbbell is equipped to count each rep, and present your workout on a Bluetooth® device as you do it!

In order to utilize this product to its fullest extent, it is critical that you read and fully understand this Owner's Manual prior to using the Bowflex® SelectTech® dumbbell.

Table of Contents

Important Safety Instructions	3	Getting Started without the App	7
Safety Warning Labels / Serial Number	3	Understanding the Locking Mechanism	8
Product Specifications and Features	4	Test Proper Locking Mechanism Function	8
Operation	5	Optional Accessories	9
Connectivity	5	Maintenance	10
Fitness Trainer App	5	Battery Icon Displayed	10
Getting to Know Your Dumbbell	5	Troubleshooting	11
Getting Started (Battery Installation)	6	Warranty	15

To validate warranty support, keep the original proof of purchase and record the following information:

Serial Number _____ Serial Number _____

Date of Purchase _____

To register your product warranty, go to: www.bowflex.com/register or call 1 (800) 605-3369.

If you have questions or problems with your product, please call 1 (800) NAUTILUS (628-8458).

Nautilus, Inc., (800) NAUTILUS / (800) 628-8458, www.NautilusInc.com - Customer Service: North America (800) 605-3369, csnls@nautilus.com | outside U.S. www.nautilusinternational.com | Printed in USA | © 2015 Nautilus, Inc. | ® indicates trademarks registered in the United States. These marks may be registered in other nations or otherwise protected by common law. Bowflex, the B logo, SelectTech, Bowflex 3DT, Bowflex Connect, Nautilus, Schwinn, and Universal are trademarks owned by or licensed to Nautilus, Inc. iTunes®, Google Play™, and MyFitnessPal® are trademarks of their respective owners. The Bluetooth® word mark and logos are registered trademarks owned by Bluetooth SIG, Inc., and any use of such marks by Nautilus, Inc. is under license.

⚠ This icon means a potentially hazardous situation which, if not avoided, could result in death or serious injury.

Before using this equipment, obey the following warnings:

- Read and understand the complete Owner's Manual. Keep Owner's Manual for future reference.
- Read and understand all warnings on this machine. If at any time the Warning stickers become loose, unreadable or dislodged, contact Nautilus Customer Service for replacement stickers.
- Children must not be let on or near to this machine. Moving parts and other features of the machine can be dangerous to children.
- Not intended for use by anyone under 14 years of age.
- Not intended for use by persons with medical conditions where those conditions may impact the safe operation of the Dumbbells or pose a risk of injury to the user.
- Consult a physician before starting an exercise program. Stop exercising if you feel pain or tightness in your chest, become short of breath, or feel faint. Contact your doctor before you use the machine again.
- This machine is for home use only.
- Periodically inspect and test the locking mechanism for correct function. Follow the test procedures included in this manual.
- Do not operate this machine outdoors or in moist or wet locations.
- Before you start your workout, make sure that your surroundings are free from possible interference and third parties. Your workout free space should be 24" (0.6 m) more than the maximum reach of the exercise in all directions.
- Do not over exert yourself during exercise. Operate the machine in the manner described in this manual.
- Do not try to force the Adjustment Grip to turn when the Dumbbell has been removed from the Dumbbell base.
- Do not let the Dumbbells fall freely to the ground. Damage to the product and possible personal injury can occur.
- Do not let the Dumbbells forcefully hit together during operation. Damage to the product and possible personal injury can occur.
- Do not lean on the Dumbbell handles or use them to support your body weight, such as using them as a base to perform a push up. Damage to the product and possible personal injury can occur.
- Do not try to disassemble your Dumbbell handles, or base assembly. The product is not designed to be serviced by the customer. Contact Nautilus Customer Service for repair information.
- The Dumbbells are very heavy. If you are not using the optional Dumbbell Stand, put the Dumbbell assembly directly on the floor for best support.
- SAVE THESE INSTRUCTIONS.

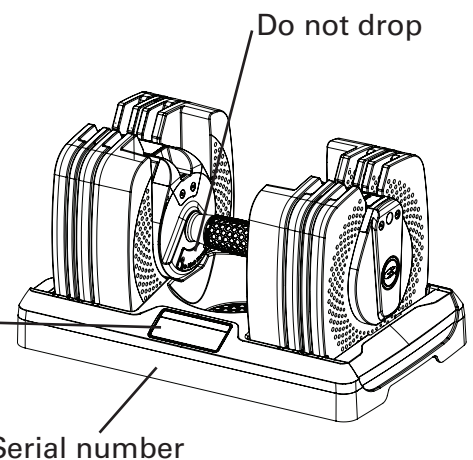
Safety Warning Labels and Serial Number

Record serial number in the Serial Number field at the beginning of this manual.

Note: Each dumbbell base has a unique serial number.

⚠ WARNING!

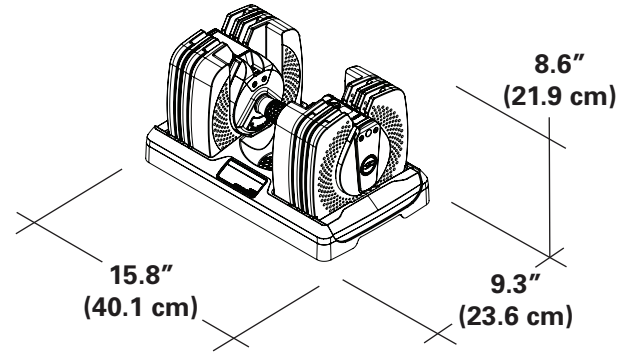
- Prior to use, read and understand the Owner's Manual, including all Warnings.
- Inspect product before use. Do not use if any parts do not function or are in need of repair.
- Keep children and pets away from this machine at all times.
- Not intended for use by anyone under 14 years of age.
- This product is for Home use only.
- Use Caution when you use this equipment or serious injury can occur.
- Replace any "Caution", "Warning" or "Danger" label that is illegible, damaged, or removed.



Product Specifications and Features

Total Weight: approximately 62 lbs. (28.1 kg)
Power Requirements: 2 AAA (LR03) Batteries
Operating Voltage: 1.8V - 3.0V

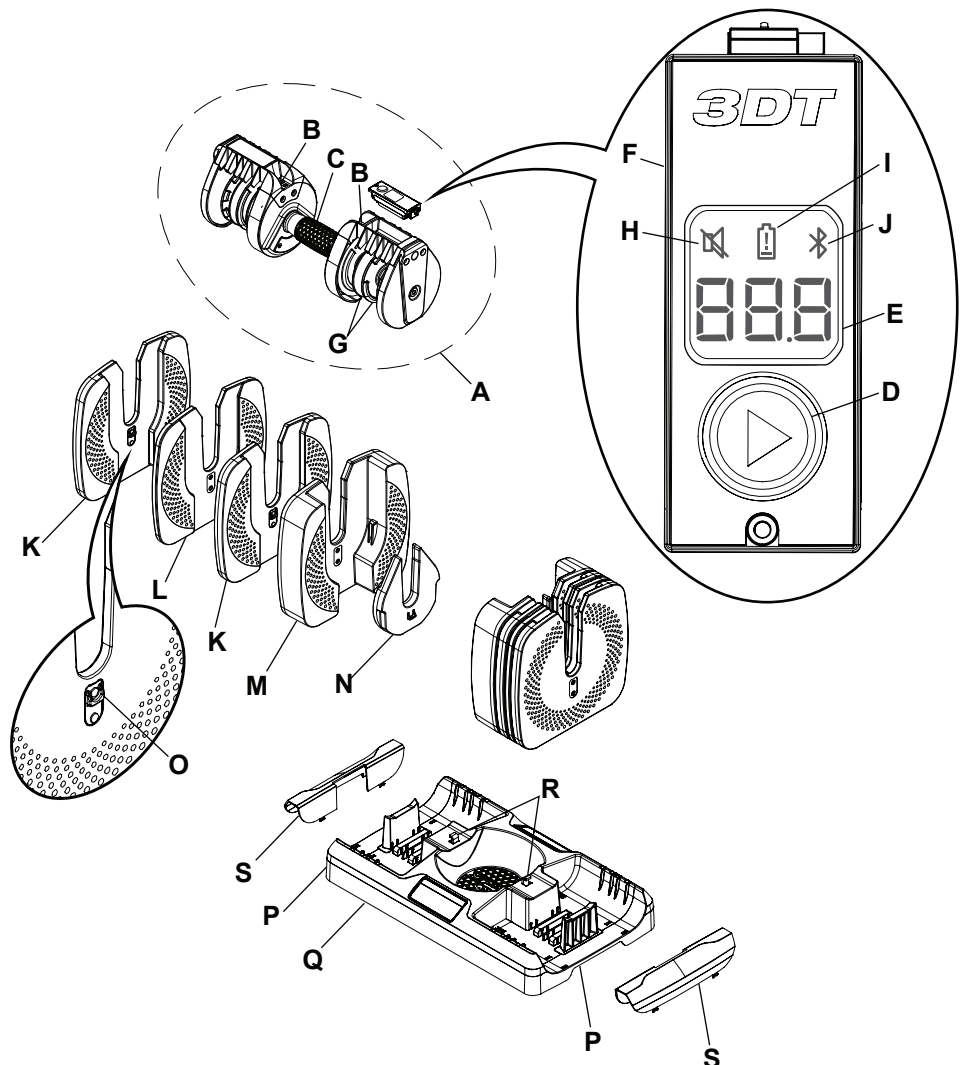
Connectivity:



! This product, its packaging, and components contain chemicals known to the State of California to cause cancer, birth defects, or reproductive harm. This Notice is provided in accordance with California's Proposition 65. If you would like additional information, please refer to our Web site at www.nautilus.com/prop65

Features

A	Handle Assembly
B	Weight Selection Window
C	Adjustment Grip
D	▶ Button
E	Display
F	Sensor Assembly
G	Knob
H	Audio Off Icon
I	Battery Icon
J	Bluetooth® Synced Icon
K	Weight Plate, 5 lbs (2.3 kg)
L	Weight Plate, 2.5 lbs (1.1 kg)
M	Weight Plate, 13.75 lbs (6.2 kg)
N	Weight Plate, 1.25 lbs (0.6 kg)
O	Locking Tab
P	Lifting Handle
Q	Base Assembly
R	Locking Tab, Base
S	Base Shroud Insert
T	Bluetooth® connectivity (not shown)

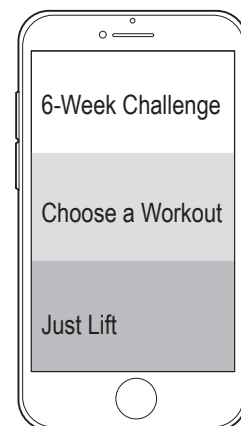


Connectivity on your Bowflex® SelectTech® 560 Dumbbells

The Bowflex® SelectTech® 560 Dumbbell is equipped with Bluetooth® connectivity and can wirelessly interact with supported smart devices.

Fitness Trainer App (Bowflex 3DT™ App)

The Bowflex 3DT™ Fitness App provides a variety of workouts that use the Bowflex® SelectTech® 560 Dumbbell as the core piece of equipment. In addition to the workouts, the App can also track your current exercise and save the workout results.



The Fitness Trainer App has three options to encourage you to reach your fitness goals:

- “6-Week Challenge” is a total body workout program designed to maximize the use of the dumbbells with additional core exercises. The 6-Week Challenge provides a fully developed exercise plan to keep you engaged and focused as you work out your entire body. Each exercise is presented in a specific sequence, and provides the number of reps and set count. After each exercise period, a rest period is provided to recover and prepare for the next set.
- “Choose a Workout” provides a selection of bundled exercises that form a specifically focused workout. The exercises follow a sequence for the workout and provide the rep and set counts similar to the 6-Week Challenge.
- “Just Lift” is the base for every exercise, and is the option for stand-alone exercises. Just Lift allows a user to perform any dumbbell exercise and the sensor will count the reps. Since a Just Lift exercise is not programmed, the user must decide the exercise, the number of reps, and how many sets.

When selecting an option, consider the level of encouragement you may require to complete your fitness goal. Be sure to only perform what you are comfortable doing based on your current fitness level and knowledge.

In addition to the motivation provided by the workouts and rep count, the Bowflex 3DT™ App will track your results during a synced exercise. Total weight lifted, total workout time, calories burned, and date of workout are tracked on your smart device and can be reviewed and compared. Exercises with suggested quantities for reps and sets of reps can be modified through the App. Read the “Getting Started” procedure to properly calibrate and use the sensor.

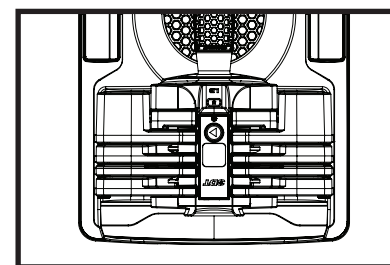
Be sure to enable the Bluetooth® feature on your smart device before a workout. When synced, the dumbbell displays the Bluetooth® icon. No workouts are tracked without a synced smart device during a workout. Push the button twice to stop the current exercise period and skip to the rest period.

Note: For a more accurate calorie count, enter your age and weight into the App.

Getting to know your Bowflex® SelectTech® Dumbbells

After carefully removing the dumbbell from its box, there are some initial steps that should be taken to familiarize yourself with the function of the product, and to assure that all aspects of the dumbbell are performing accordingly to the specifications.

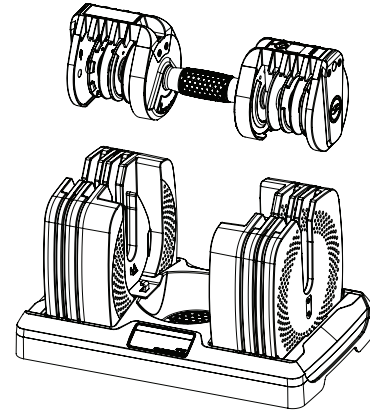
⚠ Do not drop the dumbbell. Dropping the dumbbell will damage the weight plates and/or the locking mechanism, and can cause the weight plates to disengage (drop) from the handle without warning. This can cause serious injury, and will void the warranty.



1. After removing the dumbbell from its protective packaging, inspect the products and packaging material for any damages.
2. Push down slightly on the Handle Assembly to make sure it is fully seated in the Base. Rotate each Adjustment Grip several full rotations to make sure it turns freely in both directions. Make sure there is a click at each weight increment of the Adjustment Grip. This click will help you locate the proper alignment to select a given weight increment.
3. The weight increments range from 5 lbs to 60 lbs (2.3 to 27.2 kg). The dumbbell displays pounds or kilograms depending on which selection window is viewed. To properly select a given weight (20 lbs [9.1 kg] for example), rotate the Adjustment Grip until that number (20 or 9.1) is shown in the Weight Selection Window.
4. After confirming the proper rotational function of the Adjustment Grip, turn it until the number 5 is shown in the Weight Selection Window.

- With the Adjustment Grip set to 5, pull the Handle Assembly straight up from the Base. This will remove only the Handle Assembly from the Base, and let all of the Weight Plates stay in the Base. The Handle Assembly without plates gives the initial weight of 5 lbs (2.3 kg).
- The dumbbell Weight Plates are symmetrical. The handle is inserted with either end facing the user.

NOTICE: When you remove the dumbbell from the Base or return it to the Base, use a vertical motion, perpendicular to the Base. Do not tilt the dumbbell or move it laterally (parallel to the Base) until it is fully clear of the unselected weight plates.



! Do not lean on the dumbbell handles or use them to support your body weight, such as using them as a base to perform a push up. Doing so will damage the weight plates and/or the locking mechanisms, and can cause the weight plates to disengage (drop) from the handle without warning. This can cause serious injury, and will void the warranty.

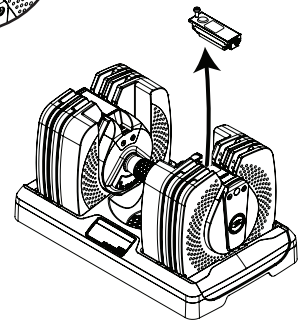
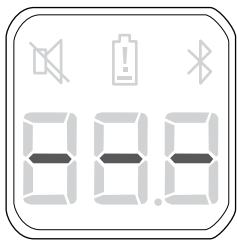
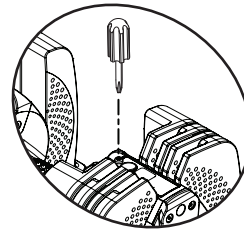
! Inspect the dumbbells prior to each use. Do not use a dumbbell with worn or damaged parts. Contact Customer Service for repair information.

There are 16 weight increments:

lbs	5	7.5	10	12.5	15	17.5	20	22.5	25	30	35	40	45	50	55	60
kg	2.3	3.4	4.5	5.7	6.8	7.9	9.1	10.2	11.3	13.6	15.9	18.4	20.4	22.7	24.9	27.2

Getting Started (Battery Installation)

- Using a small Screwdriver, loosen the screw on the Sensor Assembly and remove it from the dumbbell.
- Insert the AAA (LR03) batteries into the Sensor Assembly. The display will show three dashes with power supplied.



! Do not mix old and new batteries.
Do not mix alkaline, standard (carbon-zinc), or rechargeable (Ni-Cd, Ni-MH, etc) batteries.

- Insert the outer part of the Sensor Assembly, and then pivot it into the Dumbbell.
- Using a Screwdriver, secure the Sensor Assembly to the Dumbbell.
- Download the free Bowflex 3DT™ App to your Bluetooth® enabled smart device. The App is available on Google Play™ and iTunes®.
- Open the App and pair your Bluetooth® enabled smart device to the Bowflex® SelectTech® 560 Dumbbell.

Note: When synced, the dumbbell will display the Bluetooth® icon.

- Be sure the workout area is clear of obstacles or bystanders.

8. Select the desired weight of the Dumbbells for the workout. The Dumbbell will display the selected weight.
9. Place your synced smart device in a location where it can be easily viewed during the workout. The App will provide instructions, as well as current rep count, during the set.
10. Decide on an exercise (“Just Lift”), a workout (“Choose a Workout”), or the “6-Week Challenge” by selecting it on the App. The App will begin a 10 second countdown.

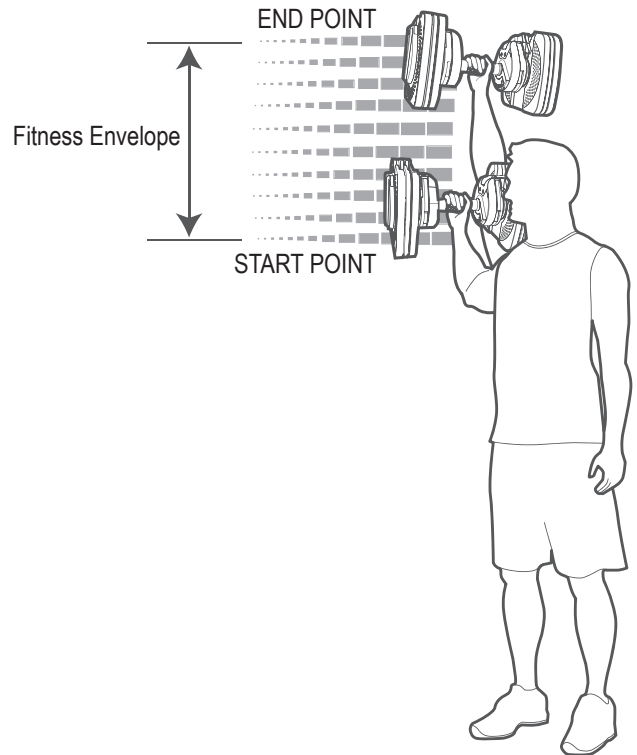
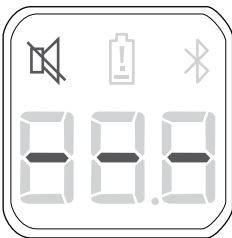
Carefully lift the dumbbell and hold it at the ready position for the exercise. At the end of the countdown, the sensor will calibrate the Start Point.

11. Start your first rep when the App tells you to begin.

Follow proper form and move fully through the exercise. This will calibrate the End Point, creating the Fitness Envelope.

Each rep will be confirmed with an audible beep (if not muted) and an increase in the total rep count.

Note: Push the ► button to pause a workout. To adjust the sound setting, push and hold down the ► button on the dumbbell for 2 seconds. The Audio Off icon will be displayed when muted.



12. Continue your exercise.

During the 6-Week Challenge or a workout, the App will track each exercise period and then shift into a rest period. A count down will start for the rest period. At the end of the count down, the App will shift to the next exercise period. Be sure to follow the instructions from the App to know if it is another set of the same exercise or a new exercise. The Fitness Envelope will need to be calibrated for each new exercise.

Note: Push the ► button twice to skip to the next period (exercise or rest period).

The sensor will power off after 10 minutes of no activity.

Getting Started without the App

If using the dumbbell without the App, follow the general steps from the “Getting Started” section.

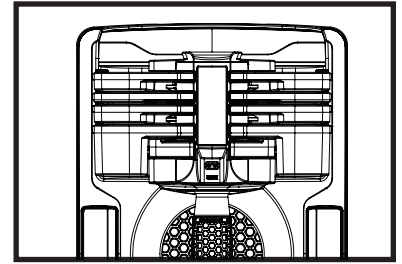
1. With the dumbbell powered up and the workout area clear, push the ► button.
2. Carefully lift the dumbbell and hold it at the ready position for the exercise. After approximately 10-12 seconds, the display will flash twice, confirming the Start Point has been calibrated.
3. Begin your first rep. This will create the Fitness Envelope for the exercise. The dumbbell counts each rep that moves fully within the Fitness Envelope.
4. When done with the exercise, push the ► button twice to start the rest period. The sensor will power off after 2 minutes of no activity. No workouts are tracked without a synced smart device during a workout.

Understanding and testing the locking mechanism function

The Bowflex® SelectTech® Dumbbell features an exclusive locking mechanism designed to ensure proper and complete selection of the weight plates as well as to ensure weight plate retention during the workout.

! Fully understand the function of this mechanism and do tests of the mechanism regularly to make sure it operates correctly.

After replacing any part of your Bowflex® SelectTech® Dumbbell, be sure to perform the following procedures before using your Dumbbell for any exercises:



Function

The locking mechanism provides two key functions:

1. The mechanism will only allow the Adjustment Grip to be rotated when the Handle Assembly is completely inserted and engaging the Dumbbell Base.
2. The mechanism is designed to lock the Handle Assembly to the base if the Adjustment Grip is not fully engaging the selected weight plates.

Purpose

The locking mechanism serves two important purposes:

1. The mechanism will prevent deselecting (dropping) weight plates from the dumbbell when it is NOT in the Dumbbell Base.
2. The mechanism will prevent partial selection of the weight plates in which the plates are not fully supported and the locking pin is not fully engaged.

Given the importance of this locking mechanism, it is critical that you understand how it operates, and periodically test it to make sure it is functioning correctly.

Testing proper locking mechanism function

1. With the Handle Assembly set in the Dumbbell Base, turn the Adjustment Grip to the number 5. You will know you have fully and correctly selected the number when you feel the Adjustment Grip settle into a notch (known as a detent). You will also hear a slight, but audible, clicking noise that corresponds with the detent locations for each number.
2. You should be able to withdraw the Handle Assembly from the Base leaving all the weight plates behind.
3. With the Handle Assembly removed from the Base and on the ground, gently attempt to turn the Adjustment Grip. The Adjustment Grip should not rotate. A locking pin in the mechanism prevents the assembly from rotating when withdrawn from the Base.

! Do not use too much force to try to turn the locked Adjustment Grip. Too much force can damage the locking mechanism.

4. After confirming the proper function of the locking mechanism as described above, fully insert the Handle Assembly back into the Dumbbell Base.
5. With the Handle Assembly back in the Base, turn the Adjustment Grip to a position that is between the numbers 10 and 12.5. This represents an incomplete weight selection where the Adjustment Grip has not fully selected a weight and is in-between the selection detents (clicks).
6. With the Adjustment Grip in this improper position, gently attempt to lift up on the Handle Assembly to remove it from the Base. You should find that the Handle Assembly is locked to the Base and cannot be removed from it.

! If the Handle Assembly comes free from the Base with the partial weight selection, do not use the Dumbbell and contact Customer Care.

7. Return the improperly selected Adjustment Grip to a full and proper weight selection and confirm that the Handle Assembly can once again be removed.

8. Be sure the entire Dumbbell Handle Assembly is properly tightened. Do this by setting the Adjustment Grip to 5 lbs and removing the Handle Assembly from the Base. Push and pull the Knobs toward and away from the Adjustment Grip. The Knobs should not exhibit free play and all of the selection discs should feel tightly connected.
9. You have now tested the function of the locking mechanism. We suggest you repeat this test monthly to make sure that the locking mechanism operates correctly.

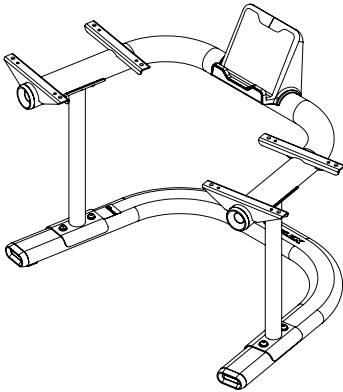
⚠ Do not use the Handle Assembly to lift the Dumbbell and Base together. To lift the Dumbbell and Base together, fully engage the Weight Plates and use the Lifting Handles molded into the Base Assembly.

If the dumbbell locking mechanism operates unsatisfactorily in the test procedure above, do the following:

- a. Stop use of the product immediately until approved service is available.
- b. Contact your Bowflex retailer or contact Nautilus Customer Service directly by phone at 1-800-NAUTILUS (628-8458) for service.

Optional Accessories

Bowflex® SelectTech® 560 Stand



Additional products are available from Nautilus, Inc. at www.bowflexcatalog.com

Maintenance

! Equipment must be examined for damage and repairs before each use. The owner is responsible to perform routine testing of the locking mechanisms. Worn or damaged components must be replaced immediately or the equipment removed from service until the repair is made. Only manufacturer supplied components can be used to maintain and repair the equipment.

If at any time the Warning labels become loose, unreadable or dislodged, contact Nautilus Customer Service for replacement labels.

The Bowflex® SelectTech® Dumbbell is a very low maintenance product. However, there are steps that you should take to keep the product performing and looking its very best.

Should your SelectTech® Dumbbell handle assembly, plates or base become soiled you may clean them with a cloth lightly dampened with warm water and a small amount of mild soap. Wipe dry with a separate cloth.

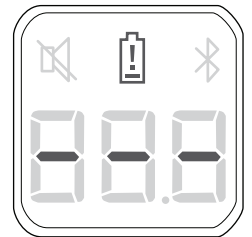
The SelectTech® Dumbbell is internally lubricated and will not require further internal lubrication. The contact between weight plates and selection discs is not lubricated but has naturally low friction. This generally will not require any lubrication. Should you feel it necessary to lubricate the weight plates and/or selection discs, use only a silicon lubricant, preferably “food grade”.

! Do not use any solvents, harsh detergents, chemicals or bleach on this product – doing so may damage the materials, resulting in degradation of the product’s performance or strength.

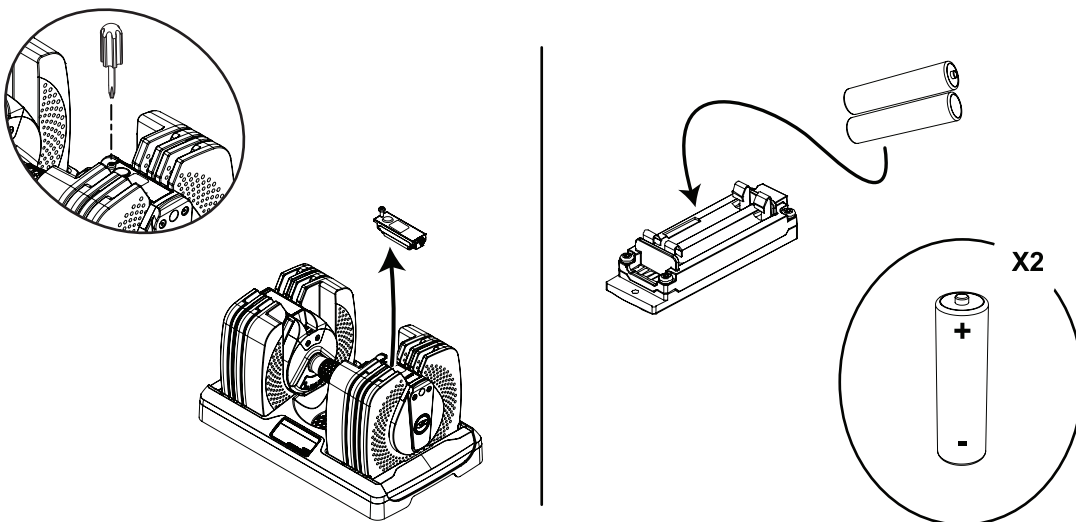
Do not attempt to disassemble the Handle Assembly. The Handle Assembly is not designed to be user serviced. Doing so will void the manufacturers warranty. Contact Nautilus Customer Service directly for assistance.

Battery Icon Displayed on the Smart Dumbbell Module

The Console will display the battery icon for ten seconds when the batteries are at approximately 10% of their rated power during power up. When replacing the batteries, make sure the batteries point in the +/- direction shown in the battery bay.



! Do not mix old and new batteries.
Do not mix alkaline, standard (carbon-zinc), or rechargeable (Ni-Cd, Ni-MH, etc) batteries.



Problem	Solution
Handle Assembly does not fully insert into Base when no Weight Plates are selected (handle has no plates attached).	Use a vertical motion to return the Handle Assembly. Do not tilt or move laterally the Handle Assembly.
Handle Assembly does not fully insert into Base when Weight Plates are selected (handle has plates attached).	Check to see if you have selected different weights on each of the dumbbells (for example one dumbbell is set to 10 and the other is set to 15). If this is the case, you must replace the Handle Assembly into the corresponding Base.
	Verify that the Weight Plates not selected (those plates remaining in the Base Assembly) are in their correct spots and have not been moved to a different support slot. This may be blocking the dumbbell from fitting back into the Base.
	Check to see if there is any dirt, debris or other obstruction in the Base. Remove anything found from the Base. You may need to remove the weight plates from the Base to accomplish this check. Place each Weight Plate back in the appropriate location and orientation.
Adjustment Grip will not turn while Handle Assembly is in Base.	Check to be sure that the Handle Assembly is fully depressed into the Base. If not fully depressed, the locking mechanism will not be released and may be keeping the Adjustment Grip from rotating.
	Check to see if there is any dirt, debris or other obstruction in the dumbbell Base. Remove anything found from the Base. You may need to remove the Weight Plates from the Base to accomplish this check. Place each Weight Plate back in the appropriate location and orientation.
Display shows Battery Icon	Replace batteries.

Who Is Covered

This warranty is valid only to the original purchaser and is not transferable or applicable to any other person(s).

What Is Covered

Nautilus, Inc. warrants that this product is free from defects in materials and workmanship, when used for the purpose intended, under normal conditions, and provided it receives proper care and maintenance as described in the Product's Assembly and Owner's manual. This warranty is good only for authentic, original, legitimate machines manufactured by Nautilus, Inc. and sold through an authorized agent and used in the United States or Canada.

Terms

- Mechanical parts 2 years
- Electronic parts 1 year

How Nautilus Will Support the Warranty

Throughout the terms of the warranty coverage, Nautilus, Inc. will repair any machine that proves to be defective in materials or workmanship. Nautilus reserves the right to replace the product in the event a repair is not possible. When Nautilus determines replacement is the correct remedy, Nautilus may apply a limited credit reimbursement toward another Nautilus, Inc. brand Product, at our discretion. This reimbursement may be prorated based on length of ownership. Nautilus, Inc. is not responsible for dealer labor or maintenance charges beyond the applicable warranty period(s) stated herein. Nautilus, Inc. reserves the right to substitute material, parts or products of equal or better quality if identical materials or products are not available at the time of service under this warranty. Any replacement of the product under the terms of the Warranty in no way extends the original Warranty period. Any limited credit reimbursement may be prorated based on length of ownership. THESE REMEDIES ARE THE EXCLUSIVE AND SOLE REMEDIES FOR ANY BREACH OF WARRANTY.

What You Must Do

- Retain appropriate and acceptable Proof of Purchase.
- Operate, maintain, and inspect the product as specified in the Product Documentation (Assembly, Owner's Manuals, etc.).
- Product must be used exclusively for the purpose intended.
- Notify Nautilus within 30 days after detecting an issue with the product.
- Install replacement parts or components in accordance with any Nautilus instructions.
- Perform diagnostic procedures with a trained Nautilus, Inc representative if requested.
- This warranty does not cover in home repair costs (labor, etc) or related charges.

What Is Not Covered

- Damage due to abuse, tampering or modification of the Product, failure to properly follow assembly instructions, maintenance instructions, or safety warnings as stated in the Product Documentation (Assembly, Owner's Manuals, etc), damage due to improper storage or the effect of environmental conditions such as moisture or weather, misuse, mishandling, accident, natural disasters, power surges.
- A machine placed or used in a commercial or institutional setting. This includes gyms, corporations, work places, clubs, fitness centers and any public or private entity that has a machine for use by its members, customers, employees or affiliates.
- Damage caused by exceeding maximum user weights as defined in Products Owner's Manual or on the warning label.
- Damage due to normal usage and wear and tear.
- This warranty does not extend to any territories or countries outside the United States and Canada.

How to Obtain Warranty Support

For Products purchased directly from Nautilus, Inc. contact the Nautilus office listed on the Contacts page of the Product's Owner's manual. You may be required to return the defective component to a specified address for repair or inspection, at your expense. Standard ground shipping of any warranty replacement parts will be paid by Nautilus, Inc. For products purchased from a retail outlet, you may be asked to contact your retailer for warranty support.

Exclusions

The preceding warranties are the sole and exclusive express warranties made by Nautilus, Inc. They supersede any prior, contrary or additional representations, whether oral or written. No agent, representative, dealer, person or employee has the authority to alter or increase the obligations or limitations of this warranty. Any implied warranties, including the WARRANTY OF MERCHANTABILITY and any WARRANTY OF FITNESS FOR A PARTICULAR PURPOSE, are limited in duration to the term of the applicable express warranty provided above, whichever is longer. Some states do not allow limitations on how long an implied warranty lasts, so the above limitation may not apply to you.

Limitation of Remedies

EXCEPT AS OTHERWISE REQUIRED BY APPLICABLE LAW, THE PURCHASER'S EXCLUSIVE REMEDY IS LIMITED TO REPAIR OR REPLACEMENT OF ANY COMPONENT DEEMED BY NAUTILUS, INC. TO BE DEFECTIVE UNDER THE TERMS AND CONDITIONS STATED HEREIN. IN NO EVENT WILL NAUTILUS, INC. BE LIABLE FOR ANY SPECIAL, CONSEQUENTIAL, INCIDENTAL, INDIRECT OR ECONOMIC DAMAGES, REGARDLESS OF THE THEORY OF LIABILITY (INCLUDING, WITHOUT LIMITATION, PRODUCT LIABILITY, NEGLIGENCE OR OTHER TORT) OR FOR ANY LOST REVENUE, PROFIT, DATA, PRIVACY OR FOR ANY PUNITIVE DAMAGES ARISING OUT OF OR RELATED TO THE USE OF THE FITNESS MACHINE EVEN IF NAUTILUS, INC. HAS BEEN ADVISED OF THE POSSIBILITY OF SUCH DAMAGES. THIS EXCLUSION AND LIMITATION SHALL APPLY EVEN IF ANY REMEDY FAILS OF ITS ESSENTIAL PURPOSE. SOME STATES DO NOT ALLOW THE EXCLUSION OR LIMITATION OF CONSEQUENTIAL OR INCIDENTAL TYPE DAMAGES SO THE ABOVE LIMITATION MAY NOT APPLY TO YOU.

State Laws

This warranty gives you specific legal rights. You may also have other rights, which vary from state to state.

Expirations

If the warranty has expired, Nautilus, Inc. may assist with replacements or repairs to parts and labor, but there will be a charge for these services. Contact a Nautilus office for information on post-warranty parts and services. Nautilus does not guarantee availability of spare parts after expiration of warranty period.

International Purchases

If you purchased your machine outside of the United States consult your local distributor or dealer for warranty coverage.

