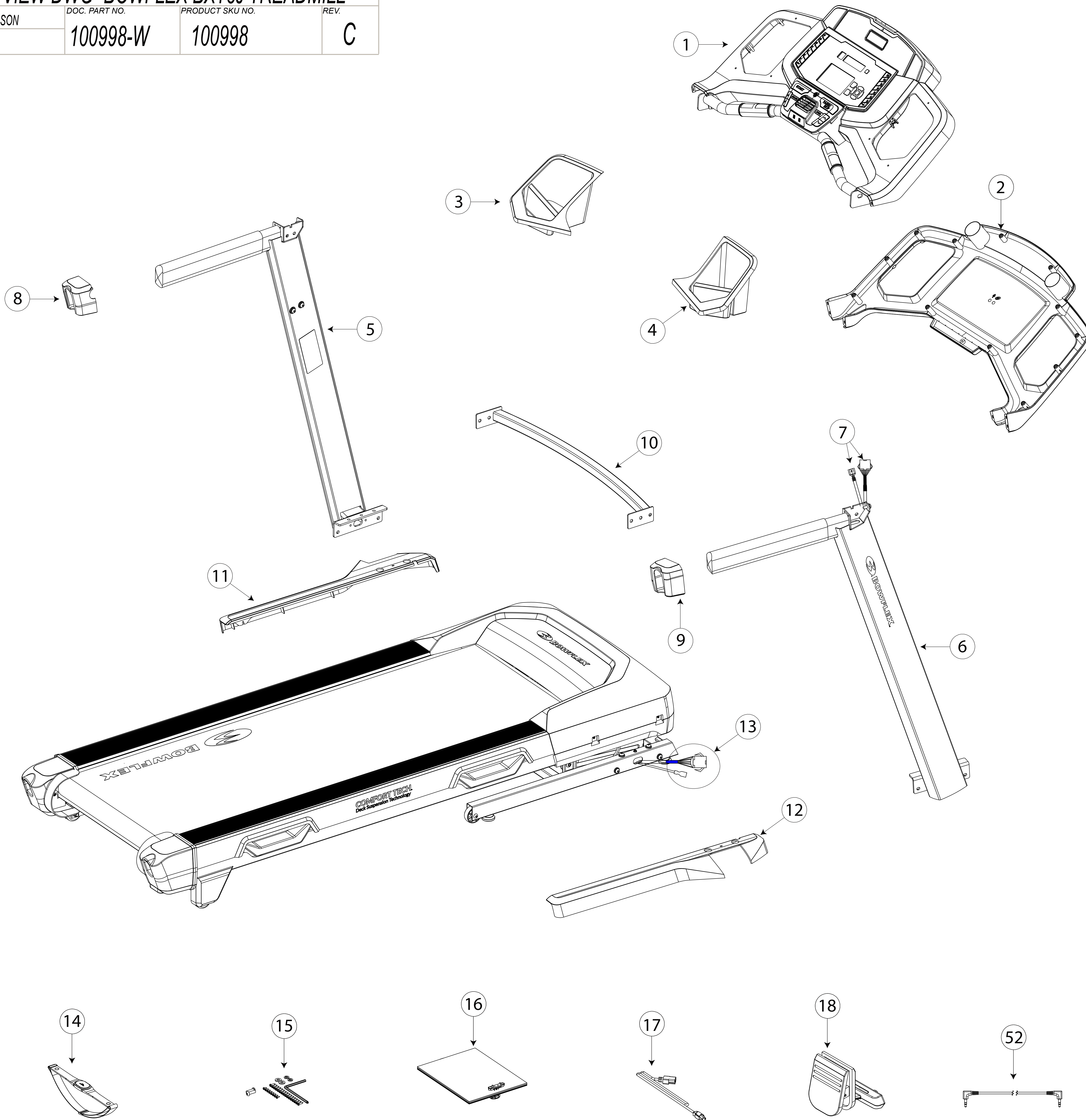
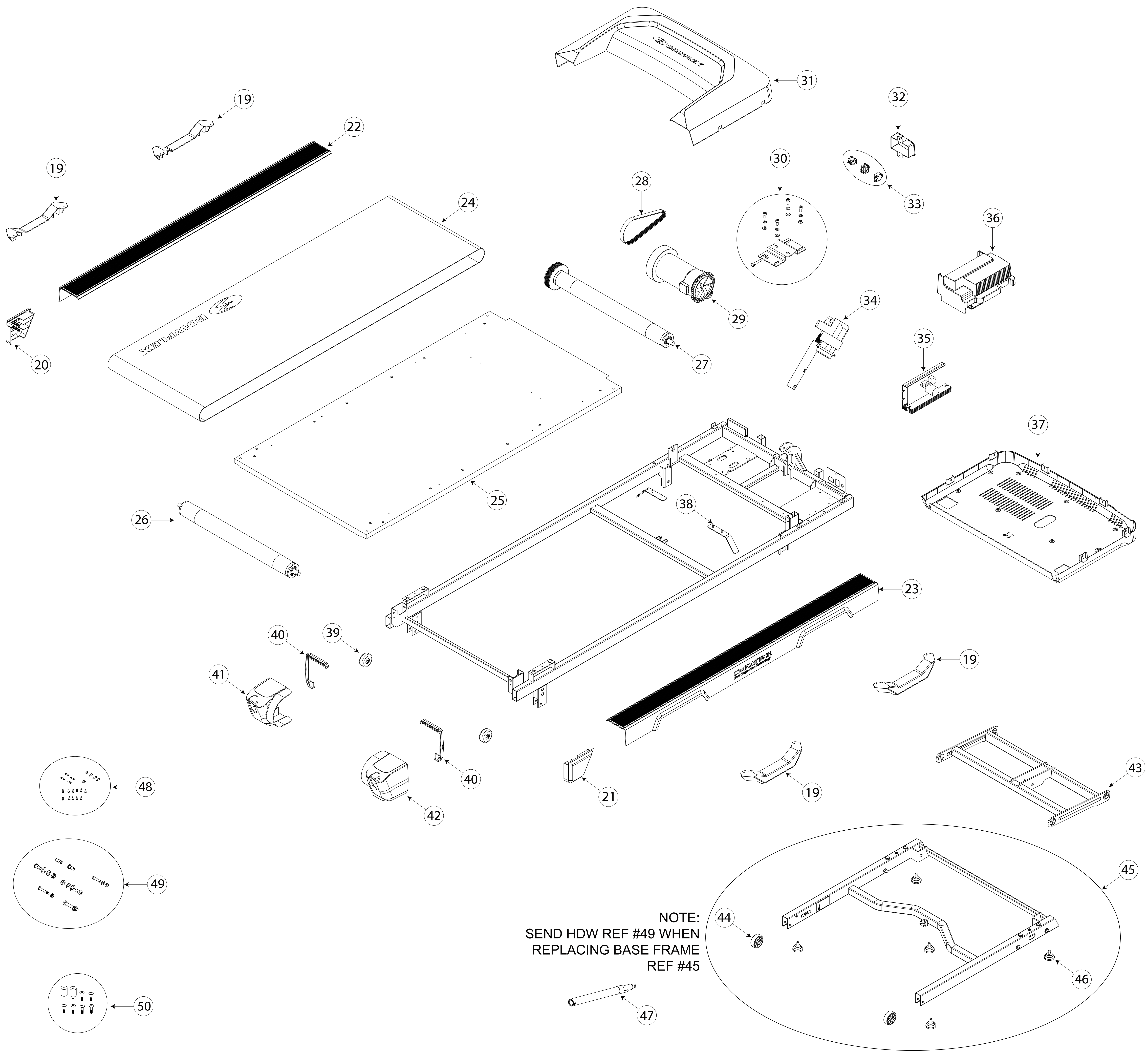


|   |                           |                           |           |
|---|---------------------------|---------------------------|-----------|
| TITLE<br><b>EXP VIEW DWG- BOWFLEX BXT8J TREADMILL</b> |                           |                           |           |
| DRAWN<br>R. PETERSON                                  | DOC. PART NO.<br>100998-W | PRODUCT SKU NO.<br>100998 | REV.<br>C |
| DATE<br>09/06/2022                                    |                           |                           |           |







NOTE:  
 SEND HDW REF #49 WHEN  
 REPLACING BASE FRAME  
 REF #45



