

TITLE: EXP VIEW DWG- Bowflex PR3000			
DRAWN: J.MORGAN	DOC. PART NO. 100142-W	PRODUCT SKU NO. 100142	REV. D
DATE 04/2/2015			

EXPLODED VIEW PARTS LIST FOR BOWFLEX PR3000

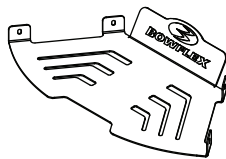
Please read the following before using this exploded view:

Bowflex PR3000 was slightly redesigned for release in early 2013. Changes include redesign of the frame assembly, chest arm and lower lat tower. The part number has not changed so it is important to identify the unit as a Version A (produced prior to 2013) or Version B (produced after 2013.)

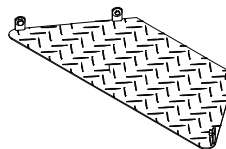
DETERMINING IF A PR3000 IS VERSION A OR VERSION B:

Look at the foot plate at the base of the seat support rail assembly.

- a) If the foot plate contains cut slots and a Bowflex sticker it is Version A.
- b) If the foot plate is uncut diamond plate and not branded it is Version B.

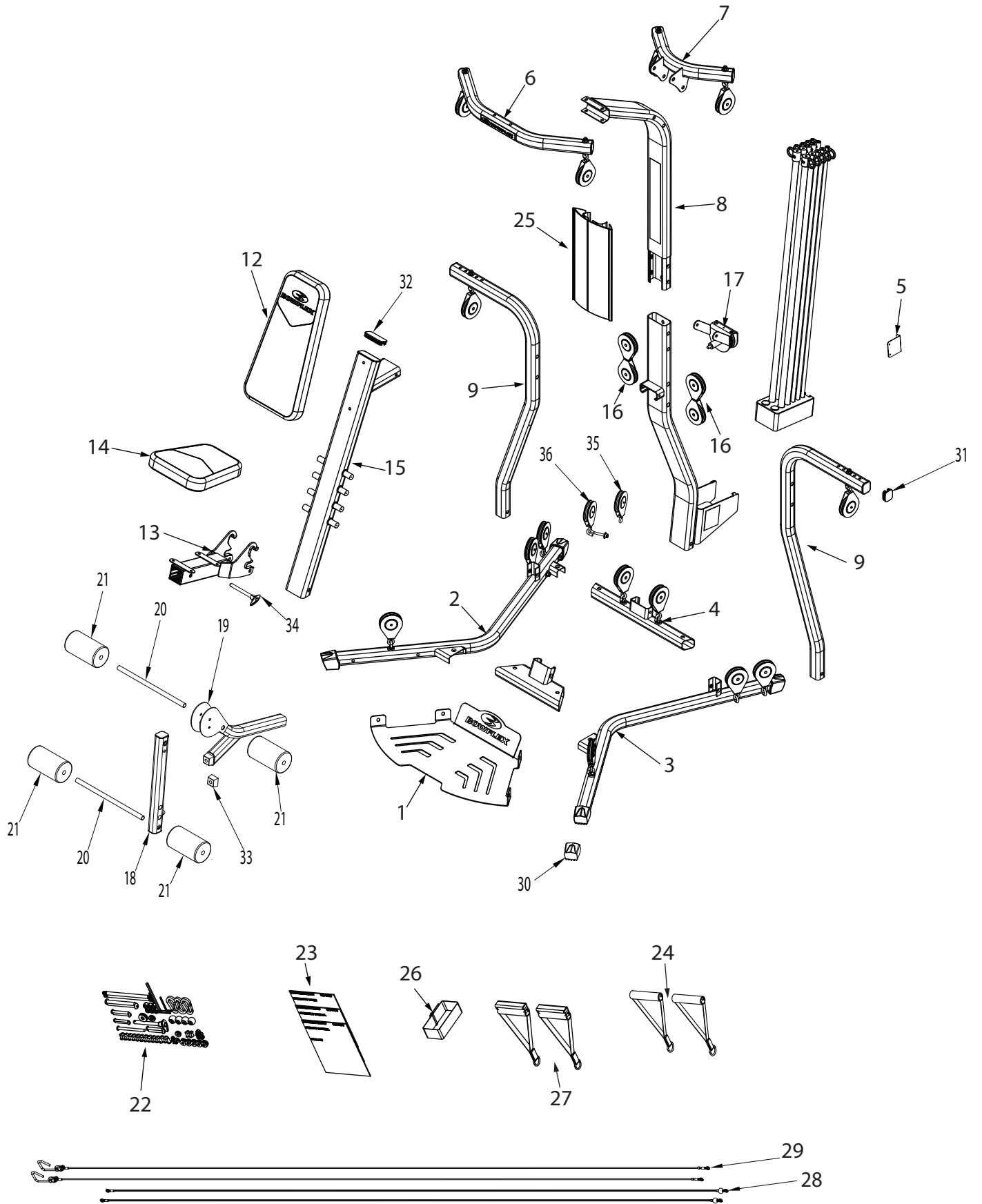


Version A.

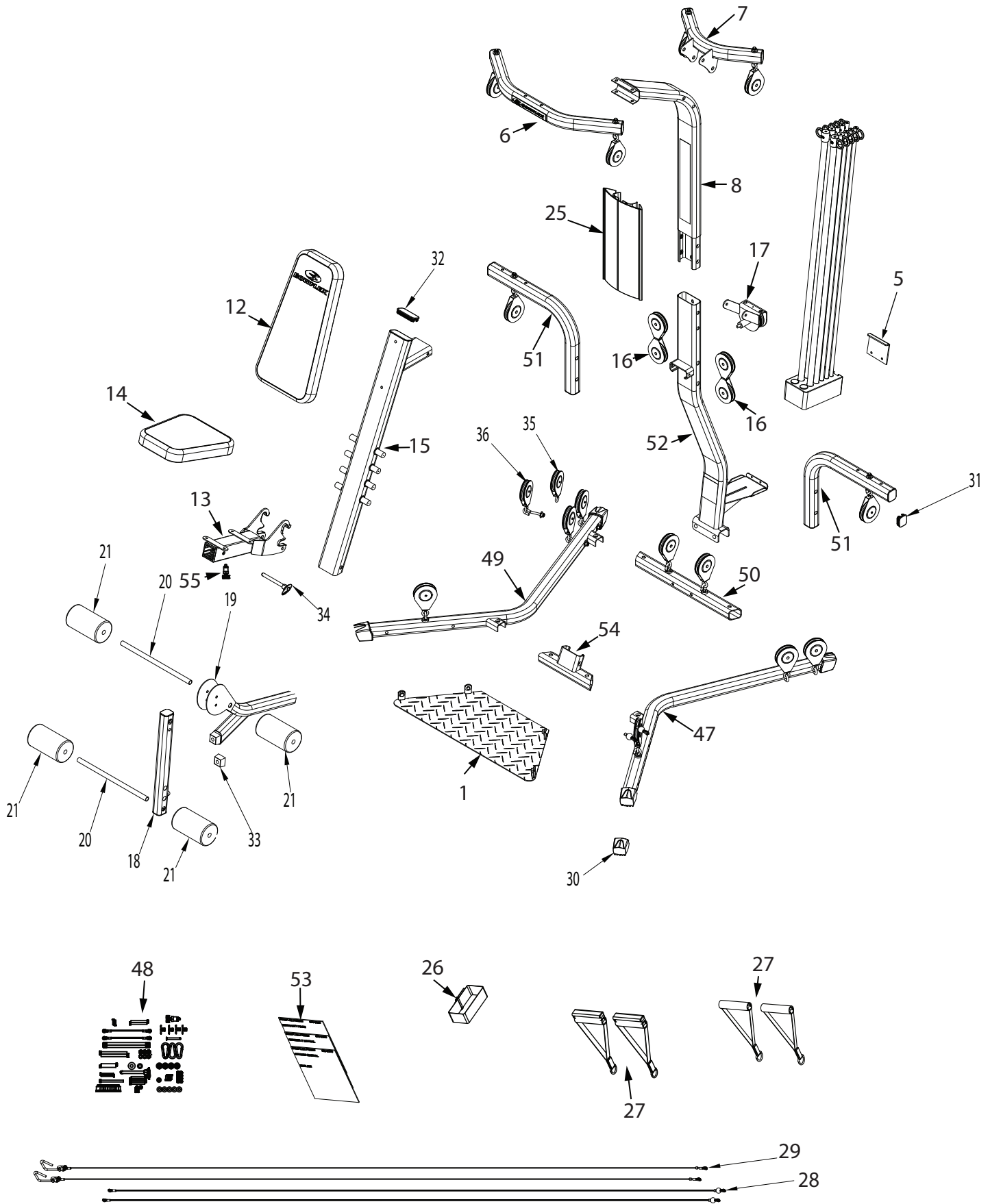


Version B.

Version A



Version B



210# ROD BOX

