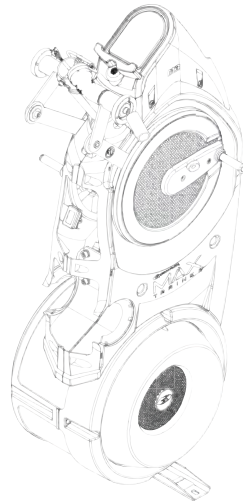
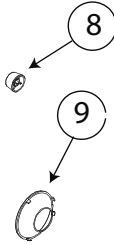
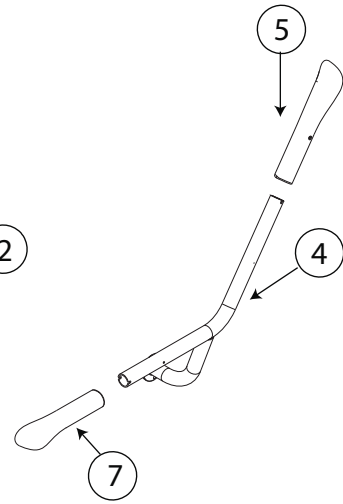
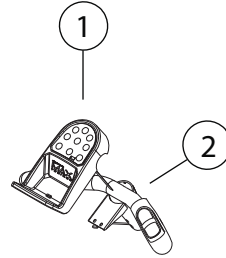
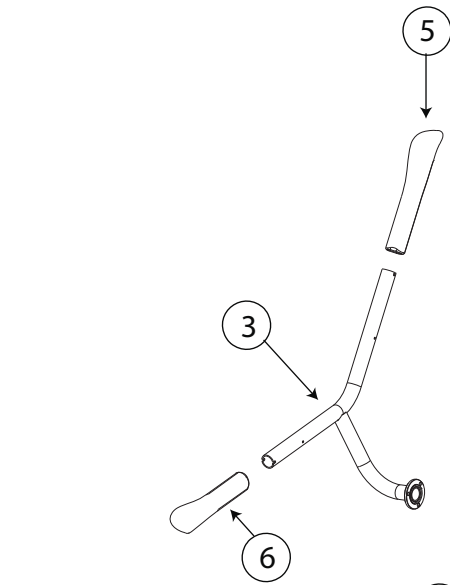
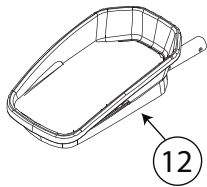
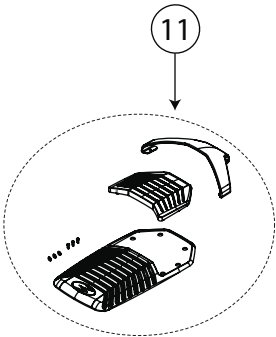
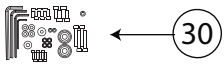
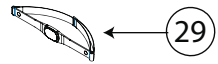
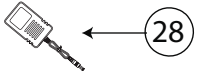
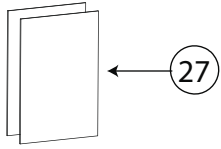
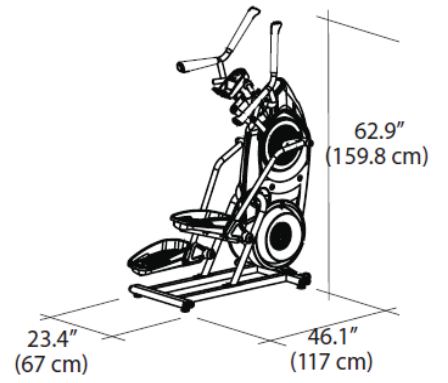
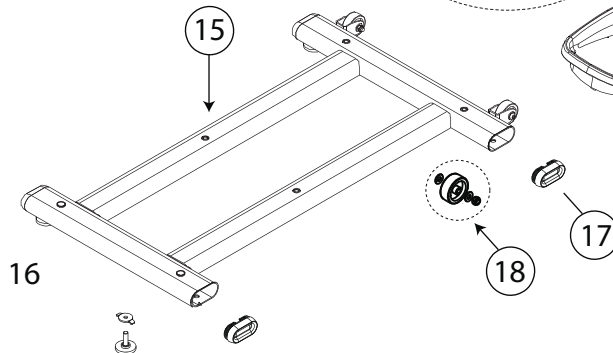
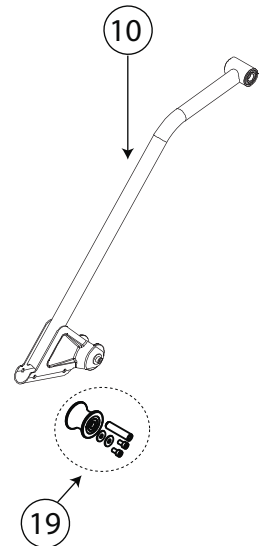
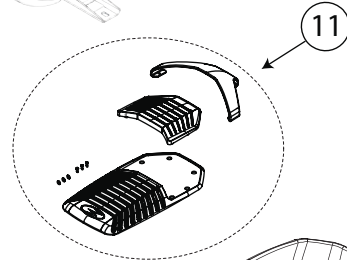
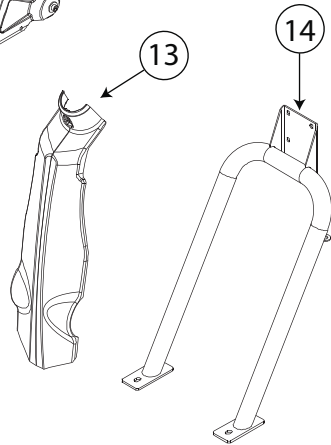
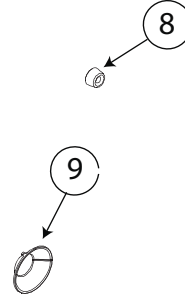
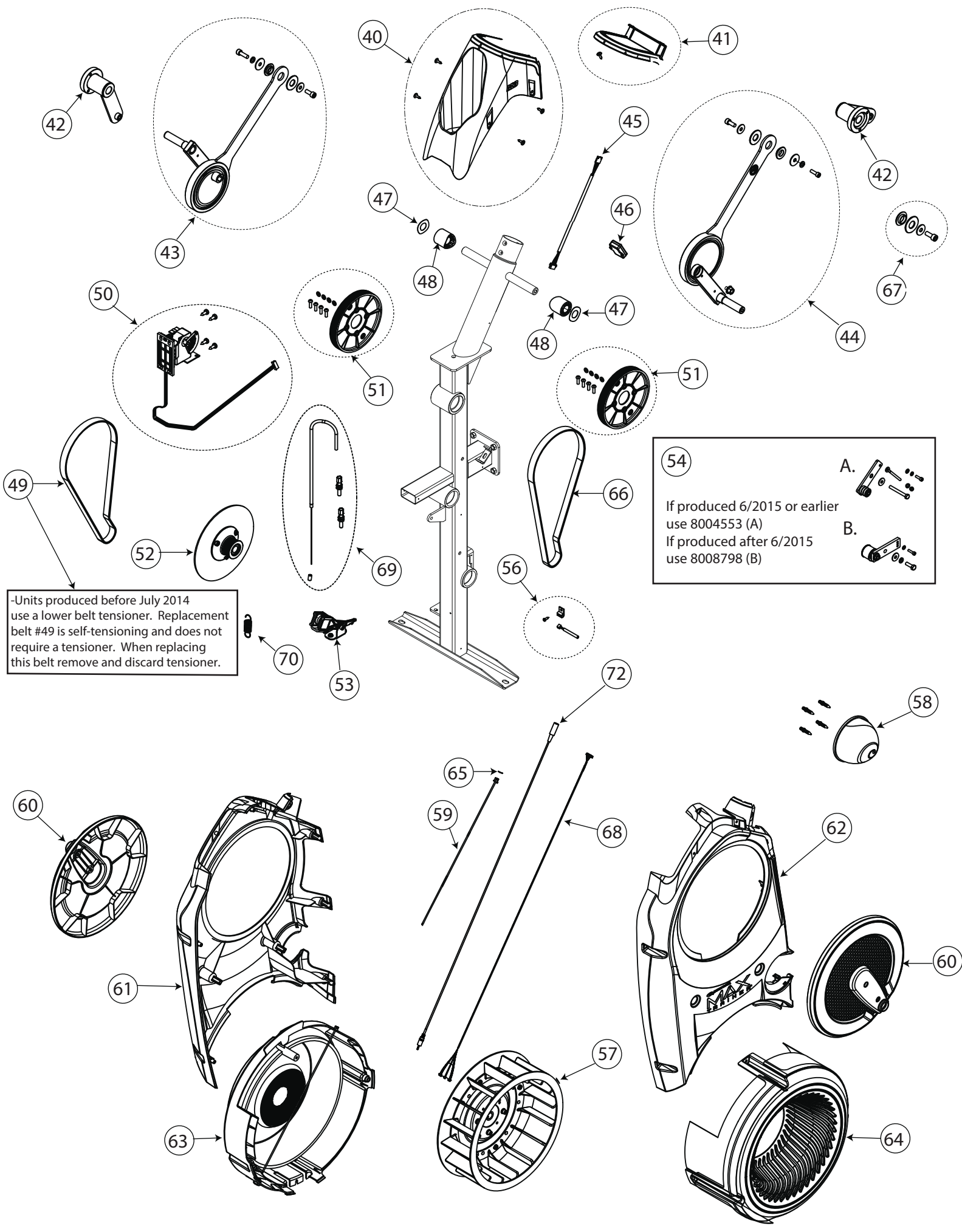


TITLE: EXP VIEW DWG- BFX MAX TRAINER M5			
DRAWN J. Morgan	DOC. PART NO. 100359-W	PRODUCT SKU NO. 100359	REV. V
DATE 5/24/2018			



*Engine SVC Kit does not include console-
customer must reuse original console





-Units produced before July 2014 use a lower belt tensioner. Replacement belt #49 is self-tensioning and does not require a tensioner. When replacing this belt remove and discard tensioner.

54

If produced 6/2015 or earlier use 8004553 (A)

If produced after 6/2015 use 8008798 (B)

A.

B.