

SelectTech™ 2080 Stand with Media Rack



ASSEMBLY MANUAL

If purchased in US/Canada:

WARNING

Do not operate this machine until you read and understand the complete Owner's Manual provided online here: <http://www.bowflex.com/manuals>

In the event that you do not have a computer or on-line access and require a hard copy of the Manual, please contact Nautilus at (800) 605-3369 and we will provide one for you. In either case, before first use please read and understand the Owner's Manual.

If purchased outside US/Canada:

WARNING

Do not operate this machine until you read and understand the complete Owner's Manual provided online here: www.nautilusinternational.com or www.nautilus.cn

To validate warranty support, keep the original proof of purchase and record the following information:

Serial Number _____

Date of Purchase _____

If purchased in US/Canada: To register your product warranty, go to: www.bowflex.com/register or call 1 (800) 605-3369.

If purchased outside US/Canada: To register your product warranty, contact your local distributor.

For warranty and service of products purchased outside US/Canada, please contact your local distributor. To find your local international distributor, go to: www.nautilusinternational.com.

Important Safety Instructions



This icon means a potentially hazardous situation which, if not avoided, could result in death or serious injury.

Before using this equipment, obey the following warnings:

- Read and understand the complete Assembly instructions. Keep the manual for future reference.
- Read and understand all warnings on this machine. If at any time the Warning labels become loose, unreadable or dislodged, replace the labels. If purchased in US/Canada, contact Customer Service for replacement labels. If purchased outside US/Canada, contact your local distributor for them.
- Keep bystanders and children away from the product you are assembling at all times.
- Make sure assembly is done in an appropriate work space away from foot traffic and exposure to bystanders.
- Some components of the equipment can be heavy or awkward. Use a second person when doing the assembly steps involving these parts. Do not do steps that involve heavy lifting or awkward movements on your own.
- This machine is for home use only. Do not place or use the machine in a commercial or institutional setting. This includes gyms, corporations, work places, clubs, fitness centers and any public or private entity that has a machine for use by its members, customers, employees or affiliates.
- Do not assemble or operate this machine outdoors or in moist or wet locations.
- Do all assembly steps in the sequence given. Incorrect assembly can lead to injury.
- Do not try to change the design or functionality of this equipment. This could compromise the safety of this equipment and will void the warranty.
- If replacement parts are necessary, use only genuine replacement parts and hardware supplied by Nautilus. Failure to use genuine replacement parts can cause a risk to users, keep the equipment from operating correctly and void the warranty.
- Do not use until the equipment has been fully assembled and inspected for correct performance in accordance with the Owner's Manual for your SelectTech™ Barbell with Curl Bar.
- Read and understand the complete Owner's Manual supplied for your SelectTech™ Barbell with Curl Bar before first use. Keep the Owner's and Assembly Manuals for future reference.

- Not intended for use by persons with medical conditions where those conditions may impact the safe operation of the Dumbbells or pose a risk of injury to the user.
- Children must not be let on or near to this machine. Moving parts and other features of the machine can be dangerous to children.
- Not intended for use by anyone under 14 years of age.
- Consult a physician before starting an exercise program. Stop exercising if you feel pain or tightness in your chest, become short of breath, or feel faint. Contact your doctor before using the machine again.
- Before you start your workout, make sure that your surroundings are free from possible interference and third parties. Your workout free space should be 0.6 m (24") more than the maximum reach of the exercise in all directions.
- Do not over exert yourself during exercise. Operate the machine in the manner described in this manual.
- Never attempt to exercise with more weight than you are physically able to handle.
- For safety, it is recommended that you exercise with a training partner or spotter.
- Children should be supervised to ensure that they do not play with the appliance.
- SAVE THESE INSTRUCTIONS

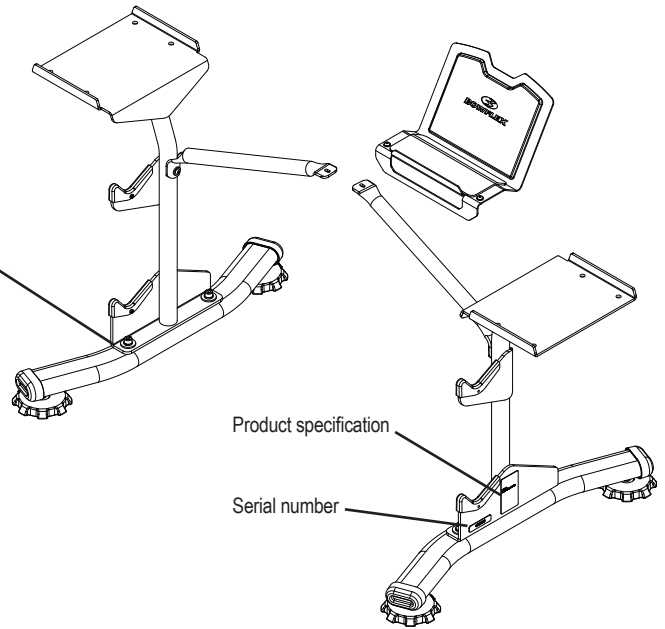
Safety Warning Labels and Serial Number

Record serial number in the Serial Number field at the beginning of this manual.

WARNING!

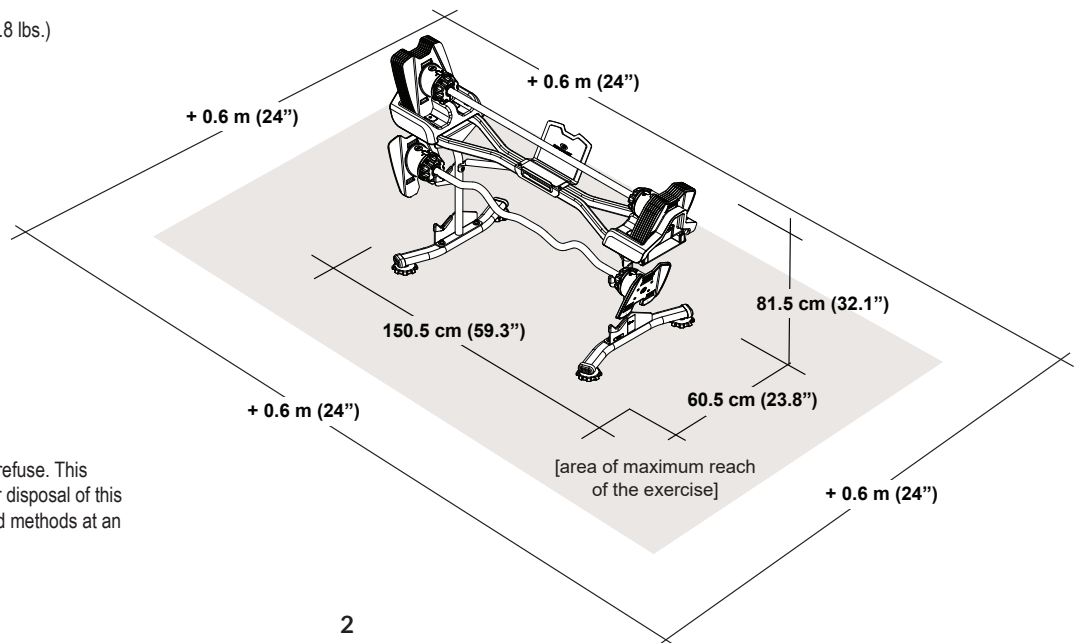
- This product is for Home use only.
- Not intended for use by anyone under 14 years of age.
- Consult a physician prior to using any exercise equipment.
- Keep children and pets away from this machine at all times.
- Use Caution when you use this equipment or serious injury can occur.
- Prior to use, read and understand the Owner's Manual, including all Warnings.
- Inspect product before use. Do not use if any parts are in need of repair.
- Replace any "Caution" "Warning" or "Danger" label that is illegible, damaged, or removed.

(Label is available in English, French Canadian and Chinese only.)



Specifications

Assembly Weight of Stand: 11.7 kg (25.8 lbs.)



DO NOT dispose of this product as refuse. This product is to be recycled. For proper disposal of this product, please follow the prescribed methods at an approved waste center.

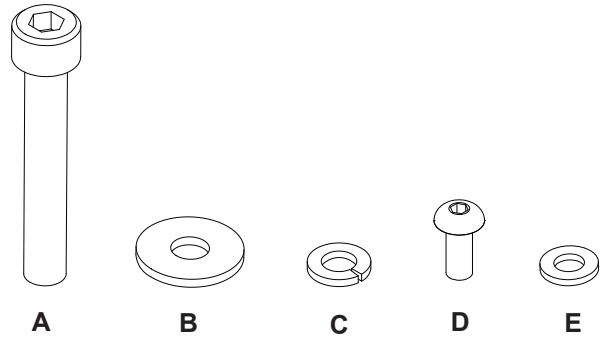
Item	Qty	Description
A	4	Socket Head Cap Screw, M8x50
B	4	Flat Washer, M8 Regular
C	4	Spring Lock Washer, M8
D	6	Button Head Cap Screw, M5 x12
E	6	Flat Washer, M5 Narrow

Tools

Included



3mm
6mm

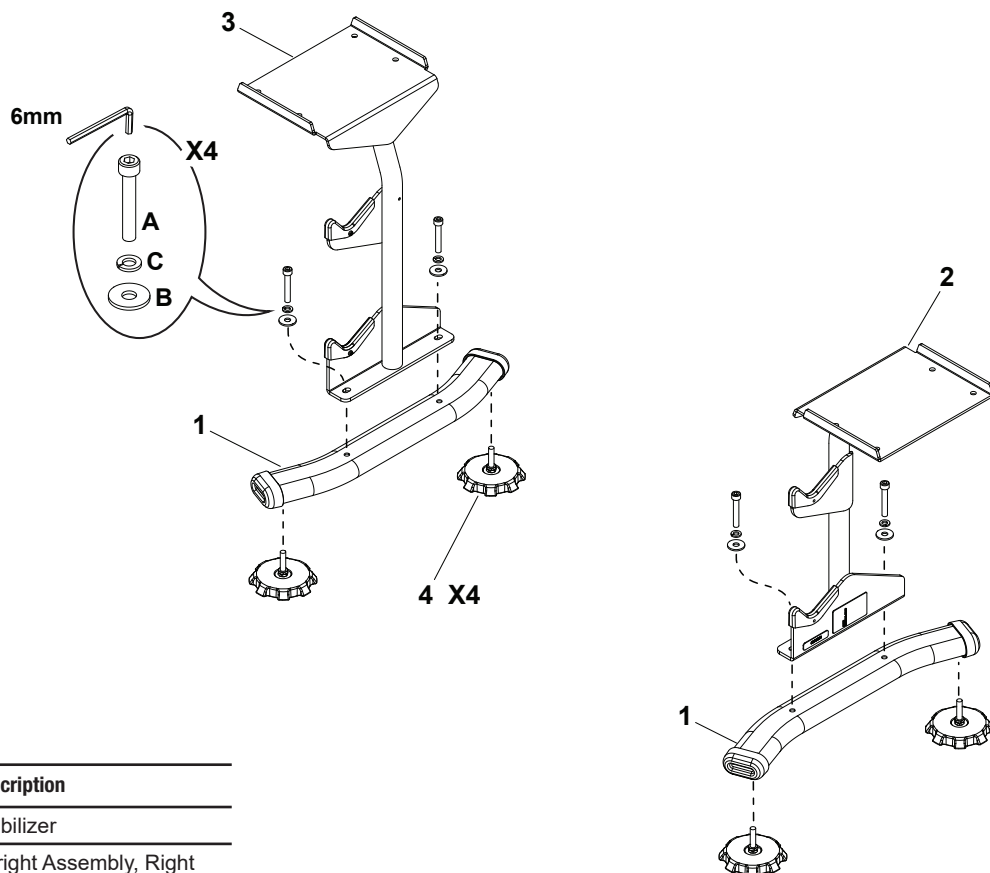


Assembly

Note: This procedure provides instructions for assembly and installation of the Stand for a Barbell with Curl Bar set that is already assembled. Instructions for assembly of the Stand and the Barbell with Curlbar together are provided separately in this manual.

! Some components of the machine can be heavy or awkward. Use a second person when doing the assembly steps involving these parts. Do not do steps that involve heavy lifting or awkward movements on your own.

Step 1.

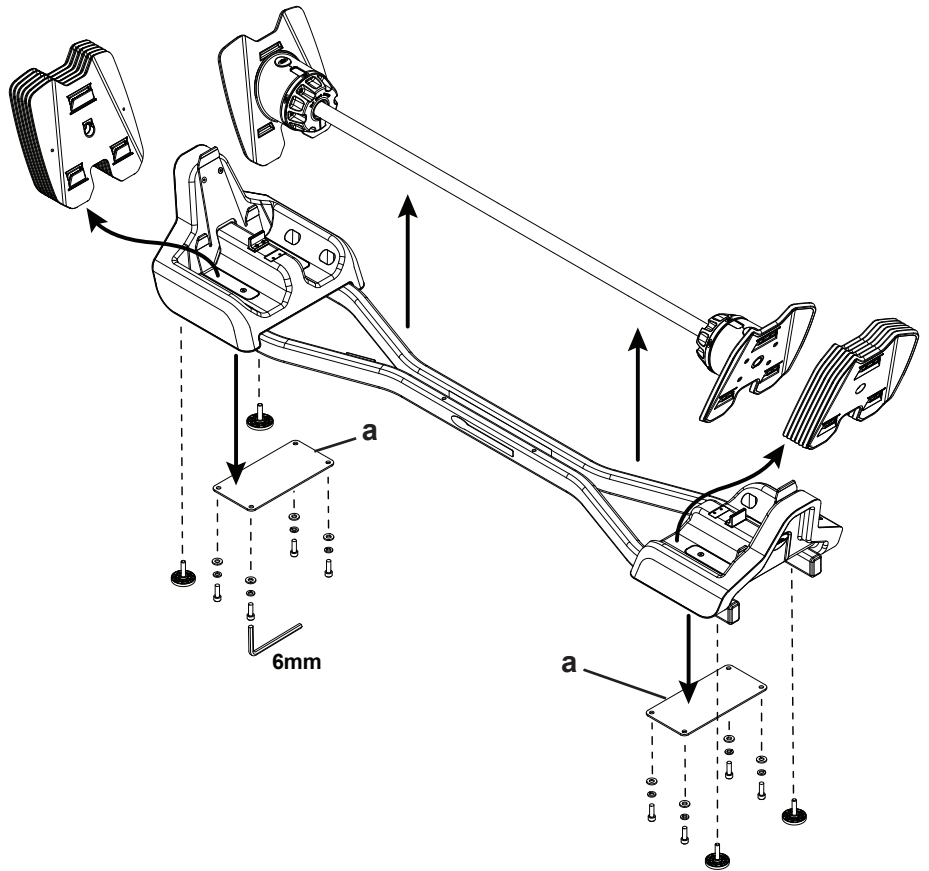


Item	Qty	Description
1	2	Stabilizer
2	1	Upright Assembly, Right
3	1	Upright Assembly, Left
4	4	Leveler Foot

Step 2.

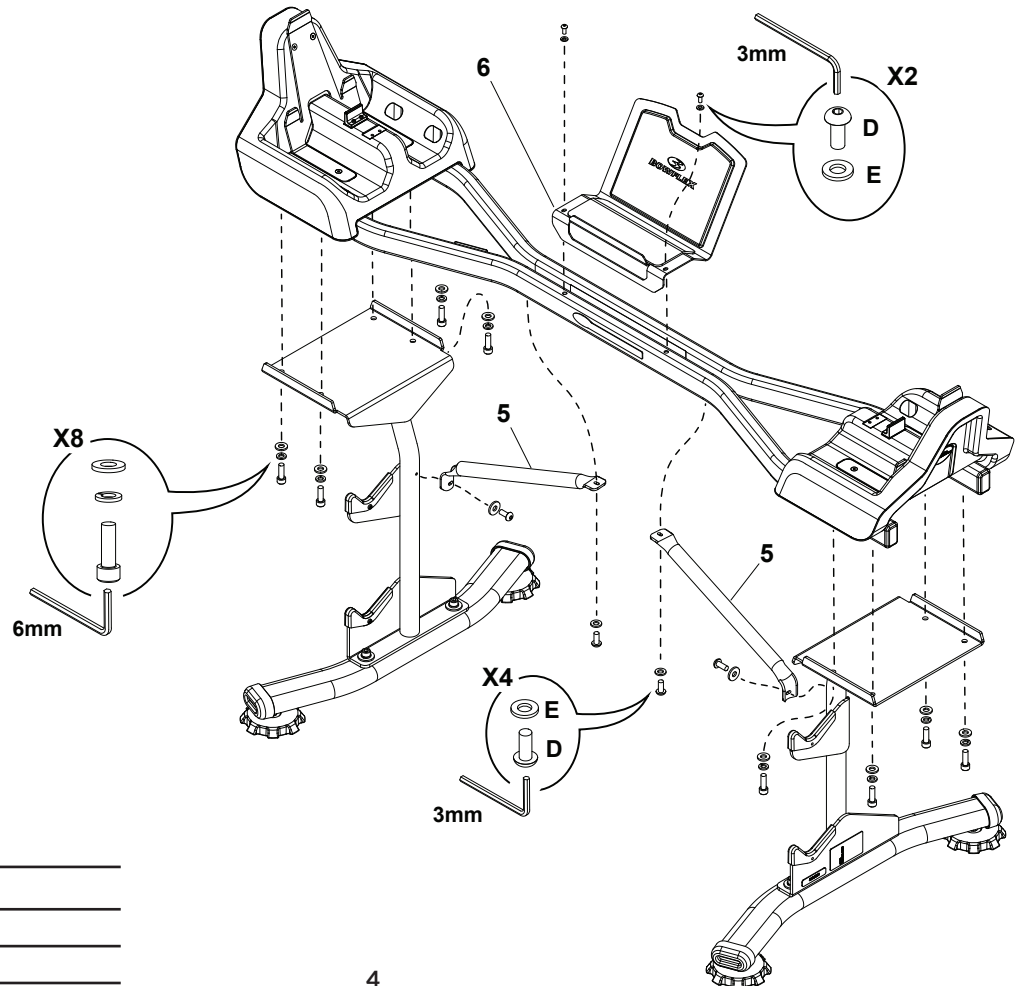
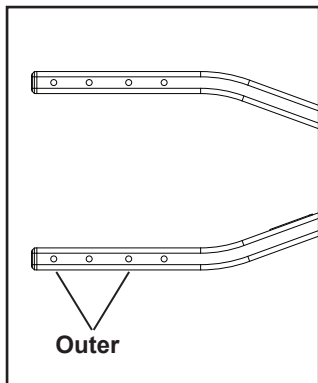
Note: Set the hardware safely aside for reassembly.
Discard the base plates (a).

! Use proper safety precautions and lifting techniques. Bend your knees and elbows, keep your back straight and pull up equally with both arms. Straighten your legs to lift.



Step 3.

Note: Attach the Uprights to the Base with the hardware that was removed in Step 2.



Item	Qty	Description
5	2	Gusset
6	1	Media Rack

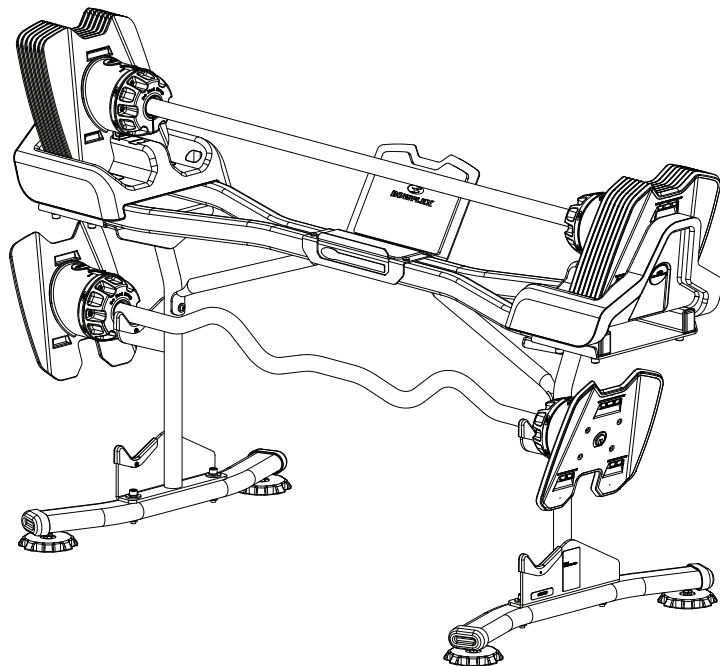
Step 4. Final Inspection

Inspect your equipment to ensure that all fasteners are tight and components are properly assembled.

Be sure to record the serial number in the field provided at the front of this manual.

Put the Weight Plates on the Base. Put the Barbell and Curl Bar on the Base and the bar hanger brackets on the Stand.

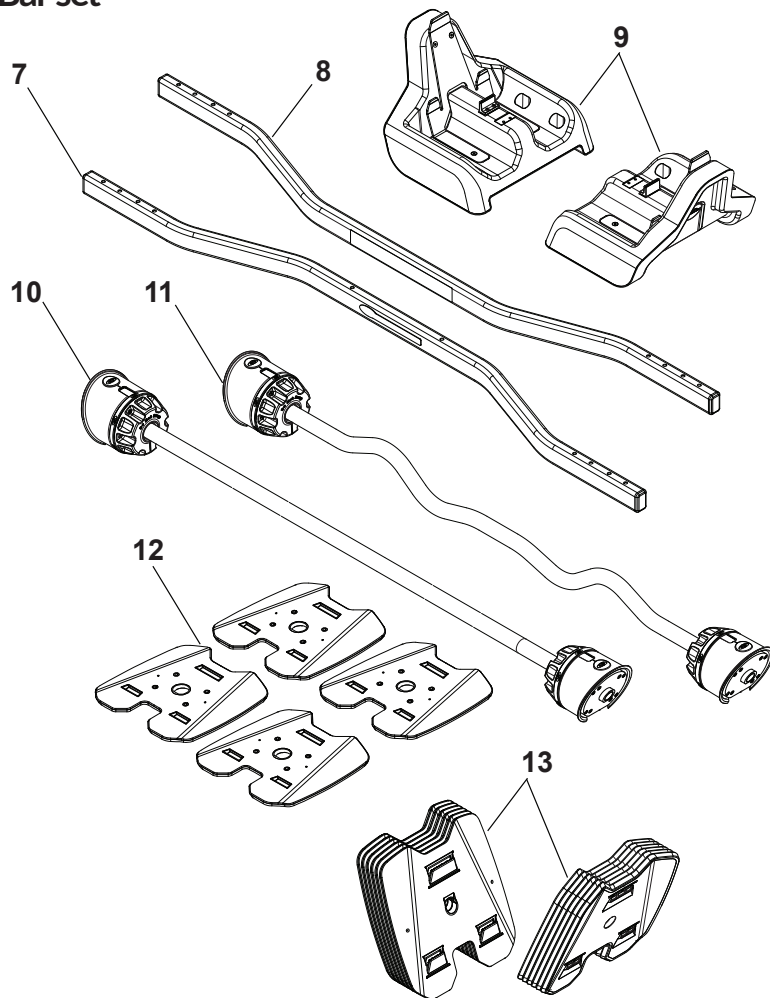
! Do not use until the equipment has been fully assembled and inspected for correct performance in accordance with the Owner's Manual for your SelectTech™ Barbell with Curl Bar. Fully tighten the hardware before you put the barbell/curlbar into the installed barbell base on the stand.



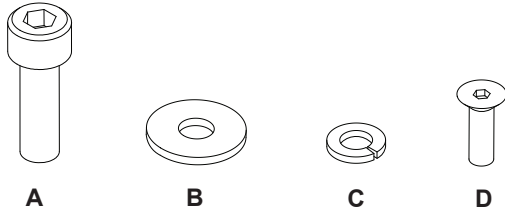
Assembly — Stand with the Barbell with Curl Bar set

Parts — Barbell with Curlbar set (separate box)

Item	Description	Qty
7	Base Tube, Front	1
8	Base Tube, Rear	1
9	Base End Shrouds	2
10	Barbell Handle Assembly	1
11	Curlbar Handle Assembly	1
12	Adapter Plates	4
13	5-lb (2.27 kg) Weight Plates	12



Hardware — Barbell with Curlbar set



Tools

Included



3 mm

6 mm

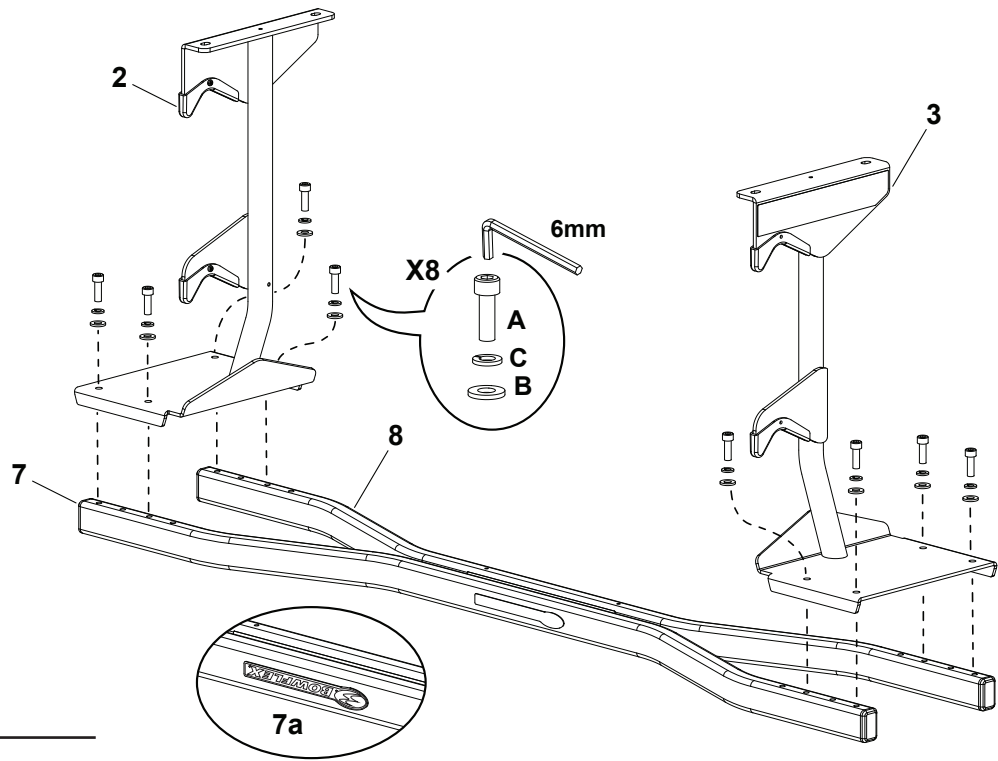
Item	Description	Qty
A	Socket Head Cap Screw M8 X 25	16
B	Flat Washer M8	8
C	Spring Lock Washer M8	8
D	Flat Head Socket Cap Screw M5 X 16	16

Assembly —

Note: This procedure provides instructions for assembly of the Stand and the Barbell with Curl Bar together.

Step 1.

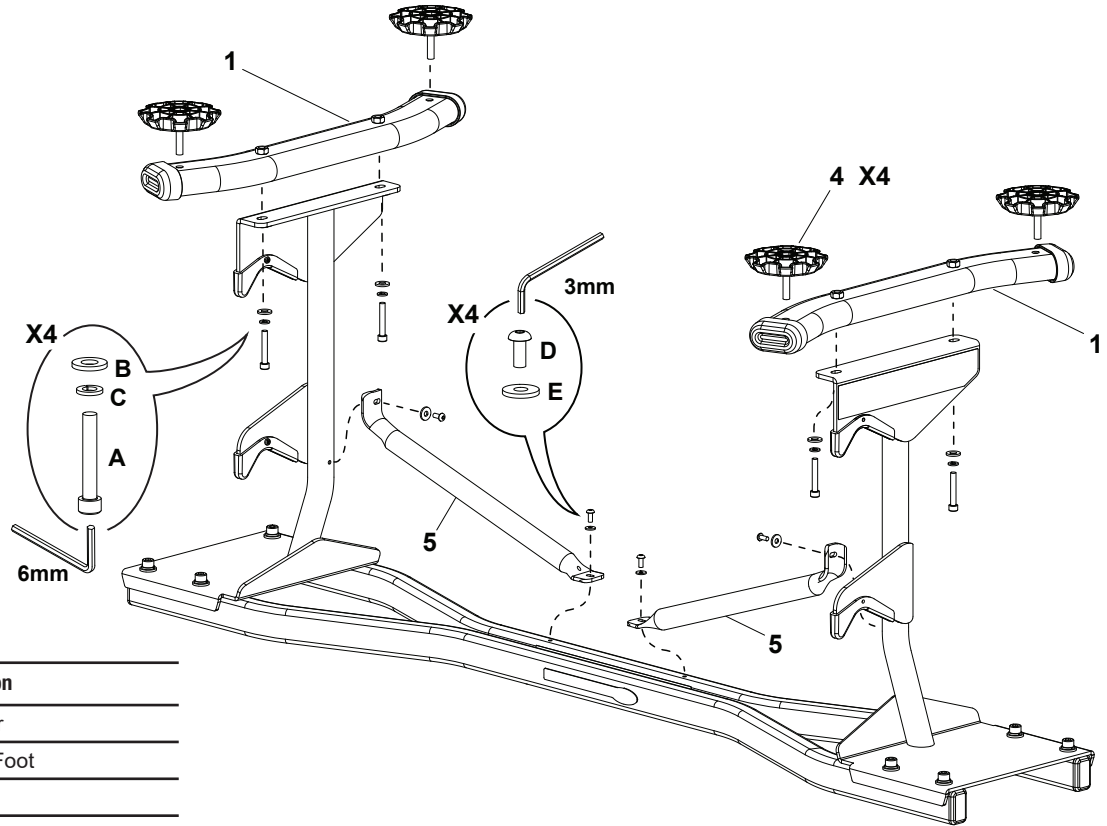
Note: Hardware for this step is on the 2080 Barbell with Curl Bar hardware card, not the 2080 Stand hardware card. Be sure to attach the Uprights to the bottom of the tubes so that the Bowflex™ label (7a) will be right side up after assembly. Hand tighten all screws, then fully tighten.



Item	Qty	Description
2	1	Upright Assembly, Right
3	1	Upright Assembly, Left
7	1	Base Tube, Front
8	1	Base Tube, Rear

Step 2.

Note: Hardware for this step is on the 2080 Stand hardware card. Fully tighten the hardware. Turn the Base assembly right side up and adjust the Leveler Feet so that the assembly is level and stable.

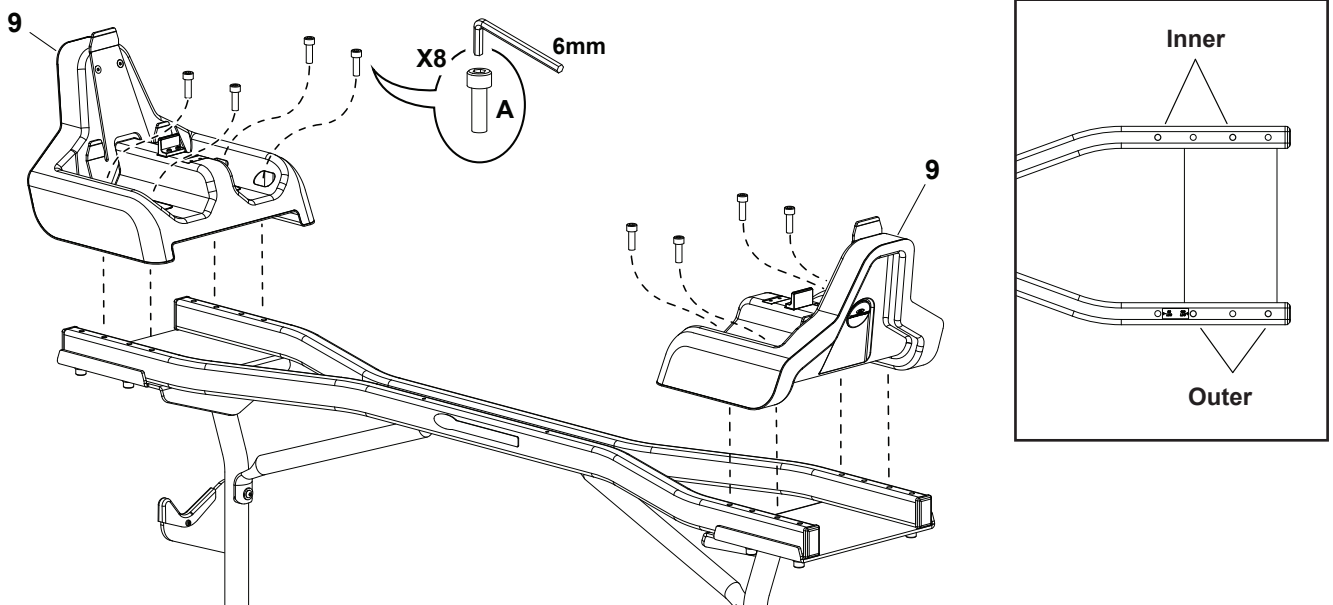


Item	Qty	Description
1	2	Stabilizer
4	4	Leveler Foot
5	2	Gusset

Step 3.

Note: Hardware for this step is on the 2080 Barbell with Curl Bar hardware card, not the 2080 Stand hardware card. Do not fully tighten screws. Shrouds should still slide.

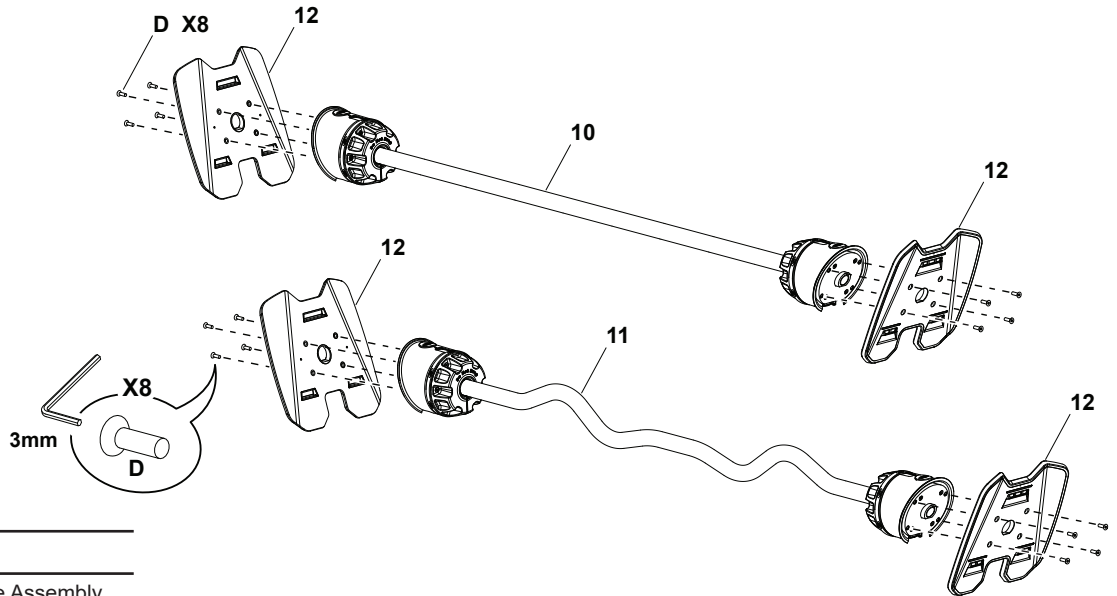
NOTICE: Use the inner set of screw holes in the Base Tubes to fit the 80-lb barbell configuration. If the Barbell will have the 40-lb Weight Upgrade (the 120-lb configuration), use the outer set of screw holes in the Base Tubes.



Item	Qty	Description
9	2	Base End Shrouds

Step 4.

Note: Hardware for this step is on the 2080 Barbell with Curl Bar hardware card, not the 2080 Stand hardware card. Ensure the Adapter Plates are oriented correctly. The screws must enter the countersink holes on the back of the plates.



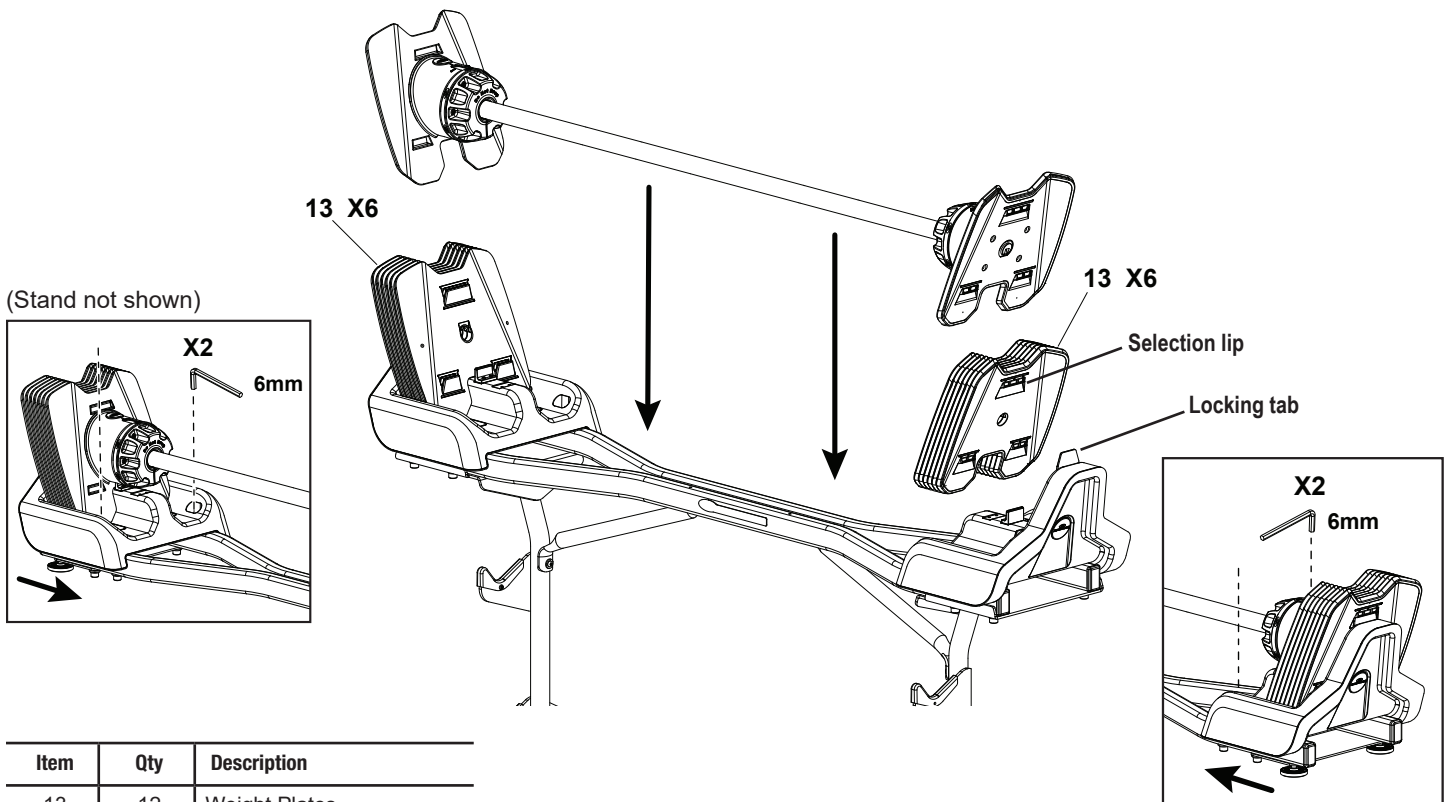
Item	Qty	Description
10	1	Barbell Handle Assembly
11	1	Curlbar Handle Assembly
12	4	Adapter Plates

Step 5. Put Weight Plates and Barbell Assembly in the Base, and Adjust Base End Shrouds

! In order to avoid possible serious injury, when placing the Weight Plates in the Base Assembly, be careful to avoid fingers or hands being caught or pinched.

NOTICE: Be sure that the Weight Plates are fully seated in the Base. Ensure there are no large gaps between Weight Plates, and all weight plate tabs are locked together properly. Make sure the locking tab at the top of the Base End Shroud is seated in the selection lip at the top of the back Weight Plate.

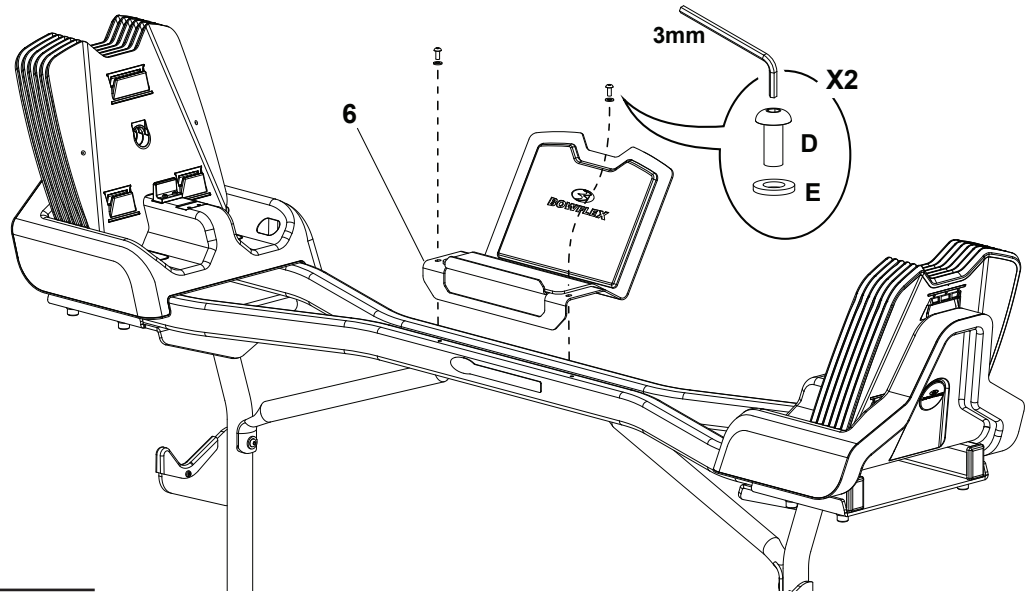
Push the shrouds inward. Tighten the inner screws. To tighten the outer screws, it may be necessary to remove the Barbell and Weight Plates. This adjustment is important for proper function and easier re-racking. If the barbell is difficult to re-rack after assembly, it may be necessary to repeat this process.



Item	Qty	Description
13	12	Weight Plates

Step 6.

Note: Fully tighten the hardware.



Item	Qty	Description
6	1	Media Rack

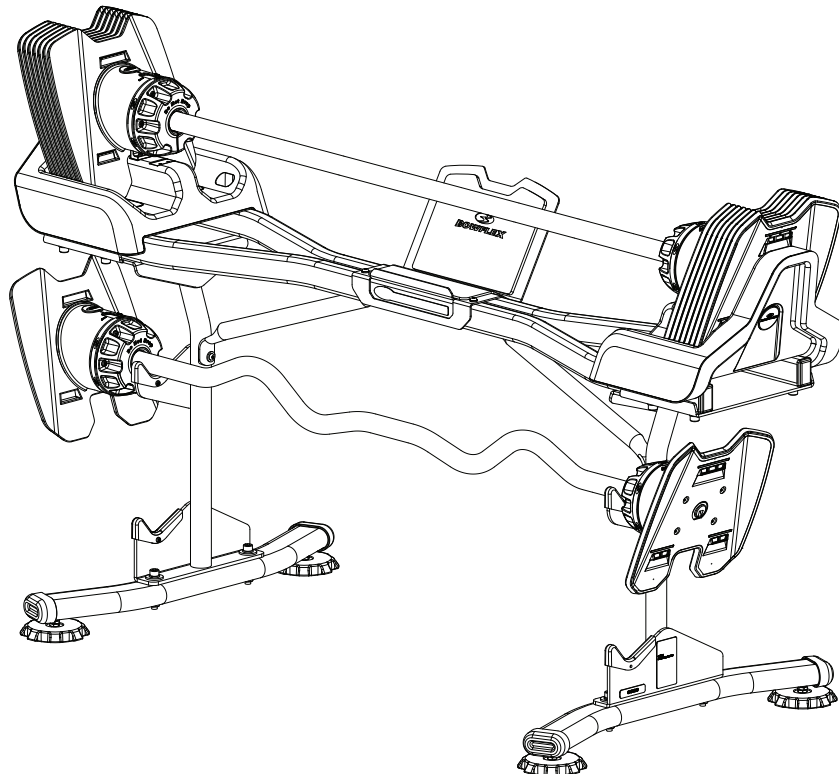
Step 7. Final Inspection

Inspect your equipment to ensure that all fasteners are tight and components are properly assembled.


Be sure to record the serial number in the field provided at the front of this manual.

Put the Weight Plates on the Base. Put the Barbell and Curl Bar on the Base and the bar hanger brackets on the Stand.

⚠ Do not use until the equipment has been fully assembled and inspected for correct performance in accordance with the Owner's Manual for your SelectTech™ Barbell with Curl Bar. Fully tighten the hardware before you put the barbell/curl bar into the installed barbell base on the stand.



Maintenance

 Equipment must be examined for damage and repairs before each use. The owner is responsible to perform routine testing of the locking mechanisms. Worn or damaged components must be replaced immediately or the equipment removed from service until the repair is made. Only manufacturer supplied components can be used to maintain and repair the equipment.

If at any time the Warning labels become loose, unreadable or dislodged, replace the labels. If purchased in US/Canada, contact Customer Service for replacement labels. If purchased outside US/Canada, contact your local distributor for them.

Daily/Before Each Use: Examine equipment. Make sure it looks in good condition and operates smoothly. If you find damage, DO NOT USE. Contact your local distributor, or Customer Service if purchased within the United States or Canada, for repair information.

Daily/After Each Use: Clean equipment with a clean, dry cloth. Do not use cleansers containing enzymes.

Weekly: Clean equipment fully with a clean cloth and ammonia-based cleaner. Touch up any scratches with touch-up paint to prevent rust, if necessary.

Monthly: Examine the frame for signs of cracking or permanent bending. Do not use the equipment if you see this. If purchased in US/Canada, contact Customer Service for repair information. If purchased outside US/Canada, contact your local distributor.

If you have any questions on the correct use or maintenance of this equipment, contact Customer Service if purchased within the United States or Canada, or your local distributor if purchased outside US/Canada. Only Nautilus-trained or Nautilus-authorized personnel should make extensions, readjustments, modifications, or repairs.

Who Is Covered

This warranty is valid only to the original purchaser and is not transferable or applicable to any other person(s).

What Is Covered

Nautilus, Inc. warrants that this product is free from defects in materials and workmanship, when used for the purpose intended, under normal conditions, and provided it receives proper care and maintenance as described in the Product's Assembly and Owner's manual. This warranty is good only for authentic, original, legitimate machines manufactured by Nautilus, Inc. and sold through an authorized agent and used in the United States or Canada.

Terms

Warranty terms for products purchased in US/Canada are as stated below.

- Mechanical parts 3 years

For warranty & service of products purchased outside US/Canada, please contact your local distributor. To find your local international distributor, go to: www.nautilusinternational.com

How Nautilus Will Support the Warranty

Throughout the terms of the warranty coverage, Nautilus, Inc. will repair any machine that proves to be defective in materials or workmanship. Nautilus reserves the right to replace the product in the event a repair is not possible. When Nautilus determines replacement is the correct remedy, Nautilus may apply a limited credit reimbursement toward another Nautilus, Inc. brand Product, at our discretion. This reimbursement may be prorated based on length of ownership. Nautilus, Inc. is not responsible for dealer labor or maintenance charges beyond the applicable warranty period(s) stated herein. Nautilus, Inc. reserves the right to substitute material, parts or products of equal or better quality if identical materials or products are not available at the time of service under this warranty. Any replacement of the product under the terms of the Warranty in no way extends the original Warranty period. Any limited credit reimbursement may be prorated based on length of ownership. **THESE REMEDIES ARE THE EXCLUSIVE AND SOLE REMEDIES FOR ANY BREACH OF WARRANTY.**

What You Must Do

- Retain appropriate and acceptable Proof of Purchase.
- Operate, maintain, and inspect the product as specified in the Product Documentation (Assembly, Owner's Manuals, etc.).
- Product must be used exclusively for the purpose intended.
- Notify Nautilus within 30 days after detecting an issue with the product.
- Install replacement parts or components in accordance with any Nautilus instructions.
- Perform diagnostic procedures with a trained Nautilus, Inc representative if requested.
- This warranty does not cover in home repair costs (labor, etc) or related charges.

What Is Not Covered

- Damage due to abuse, tampering or modification of the Product, failure to properly follow assembly instructions, maintenance instructions, or safety warnings as stated in the Product Documentation (Assembly, Owner's Manuals, etc), damage due to improper storage or the effect of environmental conditions such as moisture or weather, misuse, mishandling, accident, natural disasters, power surges.
- A machine placed or used in a commercial or institutional setting. This includes gyms, corporations, work places, clubs, fitness centers and any public or private entity that has a machine for use by its members, customers, employees or affiliates.
- Damage caused by exceeding maximum user weights as defined in Products Owner's Manual or on the warning label.
- Damage due to normal usage and wear and tear.
- This warranty does not extend to any territories or countries outside the United States and Canada.

How to Obtain Warranty Support

For Products purchased directly from Nautilus, Inc. contact the Nautilus office listed on the Contacts page of the Product's Owner's manual. You may be required to return the defective component to a specified address for repair or inspection, at your expense. Standard ground shipping of any warranty replacement parts will be paid by Nautilus, Inc. For products purchased from a retail outlet, you may be asked to contact your retailer for warranty support.

Exclusions

The preceding warranties are the sole and exclusive express warranties made by Nautilus, Inc. They supersede any prior, contrary or additional representations, whether oral or written. No agent, representative, dealer, person or employee has the authority to alter or increase the obligations or limitations of this warranty. Any implied warranties, including the WARRANTY OF MERCHANTABILITY and any WARRANTY OF FITNESS FOR A PARTICULAR PURPOSE, are limited in duration to the term of the applicable express warranty provided above, whichever is longer. Some states do not allow limitations on how long an implied warranty lasts, so the above limitation may not apply to you.

Limitation of Remedies

EXCEPT AS OTHERWISE REQUIRED BY APPLICABLE LAW, THE PURCHASER'S EXCLUSIVE REMEDY IS LIMITED TO REPAIR OR REPLACEMENT OF ANY COMPONENT DEEMED BY NAUTILUS, INC. TO BE DEFECTIVE UNDER THE TERMS AND CONDITIONS STATED HEREIN. IN NO EVENT WILL NAUTILUS, INC. BE LIABLE FOR ANY SPECIAL, CONSEQUENTIAL, INCIDENTAL, INDIRECT OR ECONOMIC DAMAGES, REGARDLESS OF THE THEORY OF LIABILITY (INCLUDING, WITHOUT LIMITATION, PRODUCT LIABILITY, NEGLIGENCE OR OTHER TORT) OR FOR ANY LOST REVENUE, PROFIT, DATA, PRIVACY OR FOR ANY PUNITIVE DAMAGES ARISING OUT OF OR RELATED TO THE USE OF THE FITNESS MACHINE EVEN IF NAUTILUS, INC. HAS BEEN ADVISED OF THE POSSIBILITY OF SUCH DAMAGES. THIS EXCLUSION AND LIMITATION SHALL APPLY EVEN IF ANY REMEDY FAILS OF ITS ESSENTIAL PURPOSE. SOME STATES DO NOT ALLOW THE EXCLUSION OR LIMITATION OF CONSEQUENTIAL OR INCIDENTAL TYPE DAMAGES SO THE ABOVE LIMITATION MAY NOT APPLY TO YOU.

State Laws

This warranty gives you specific legal rights. You may also have other rights, which vary from state to state.

Expirations

If the warranty has expired, Nautilus, Inc. may assist with replacements or repairs to parts and labor, but there will be a charge for these services. Contact a Nautilus office for information on post-warranty parts and services. Nautilus does not guarantee availability of spare parts after expiration of warranty period.

International Purchases

If you purchased your machine outside of the United States consult your local distributor or dealer for warranty coverage.



Nautilus, Inc., 5415 Centerpoint Parkway, Groveport, OH 43125 USA, www.NautilusInc.com - Customer Service: North America (800) 605-3369, csnls@nautilus.com | Nautilus (Shanghai) Fitness Equipments Co, Ltd, Room 1701 &1702, 1018 Changning Road, Changning District, Shanghai, China 200042, www.nautilus.cn - 86 21 6115 9668 | outside U.S. www.nautilusinternational.com | Printed in USA | © 2019 Nautilus, Inc. | Bowflex, the B logo and SelectTech are trademarks owned or licensed by Nautilus, Inc., which are registered or otherwise protected by common law in the United States and other countries.

ORIGINAL MANUAL - ENGLISH VERSION ONLY

8022731.070120.C

