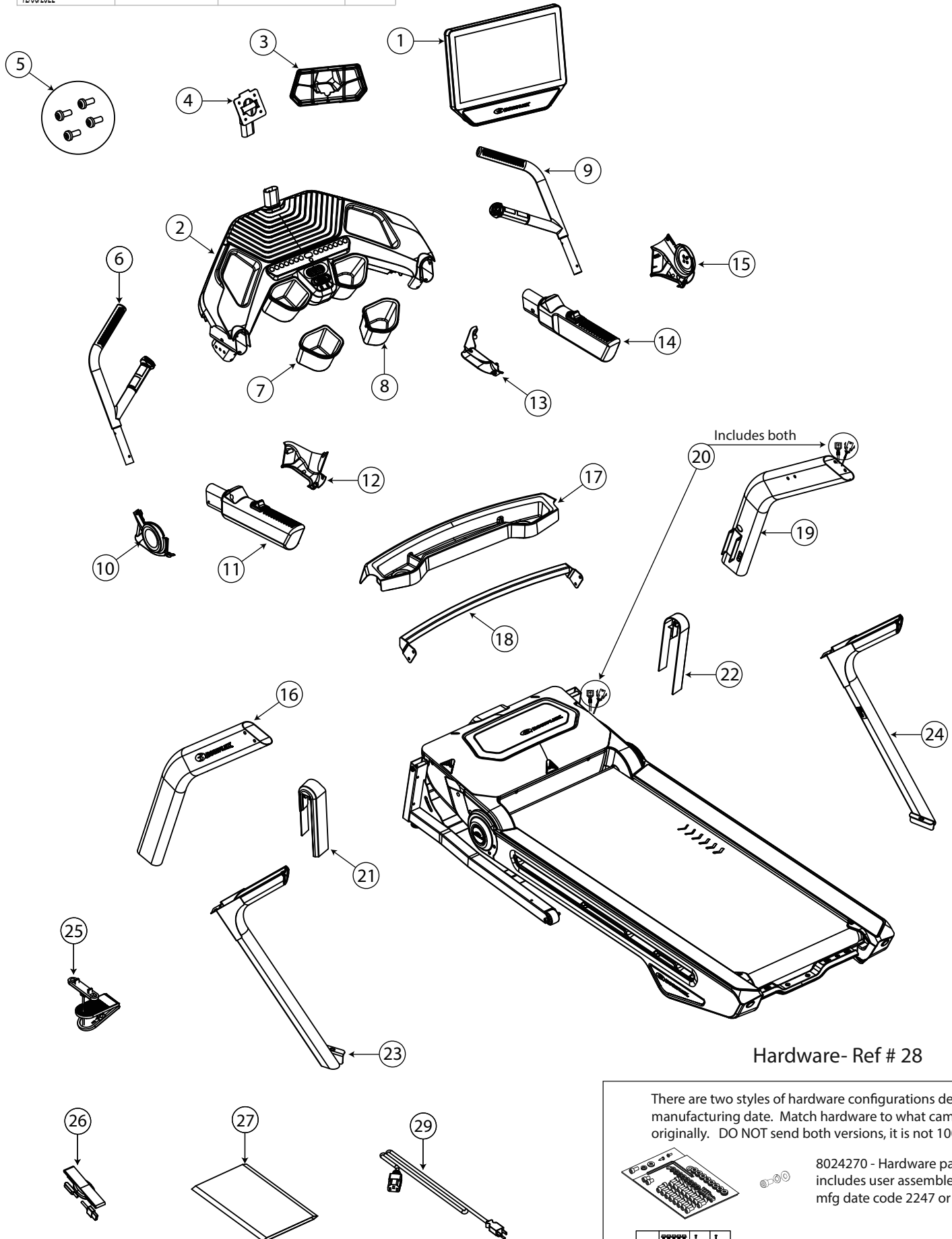
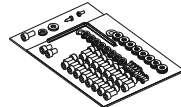


TITLE <b>EXP VIEW DWG- BFX TREADMILL 22</b>			
DRAWN R. Peterson	DOC. PART NO. 100910-W	PRODUCT SKU NO. 100910	REV. G
DATE 12/06/2022			

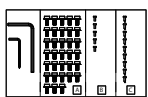


**Hardware- Ref # 28**

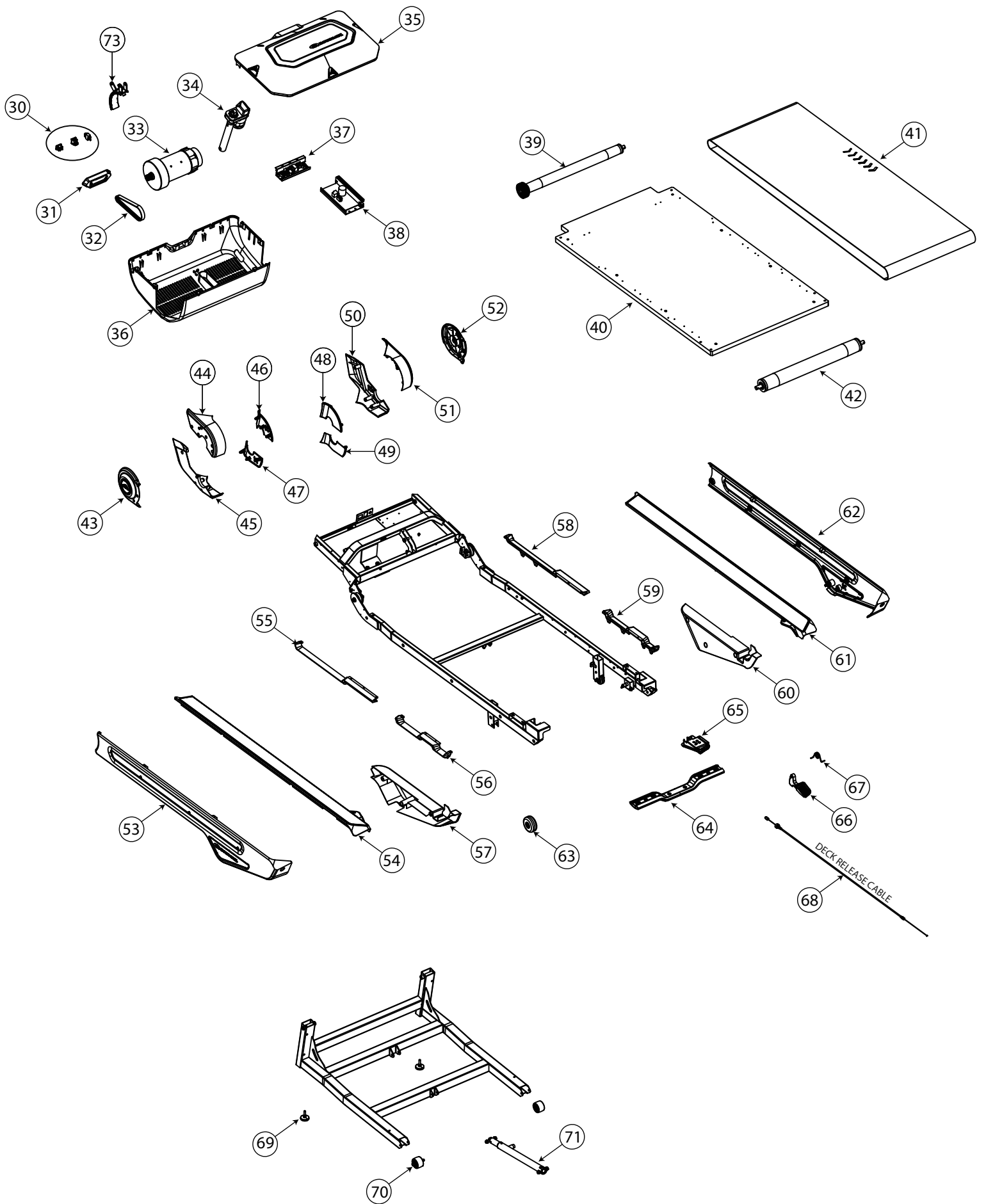
There are two styles of hardware configurations depending on manufacturing date. Match hardware to what came with machine originally. DO NOT send both versions, it is not 100% compatible!

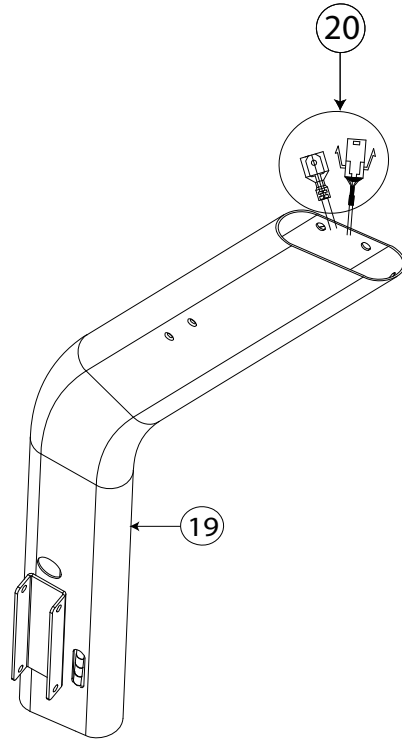
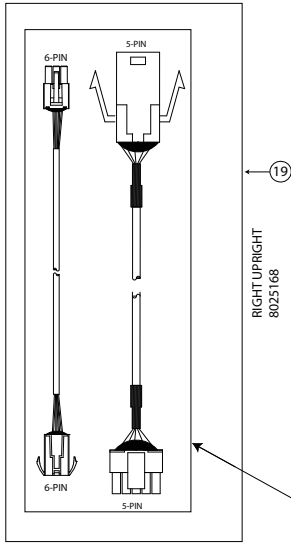
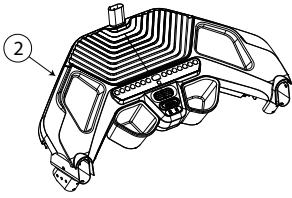


8024270 - Hardware packaged on CARD, includes user assembled washers. mfg date code 2247 or earlier



8030241 - Hardware packaged in BAG, screws have built in washer flange. mfg date code 2248 or later





20  
Includes both

