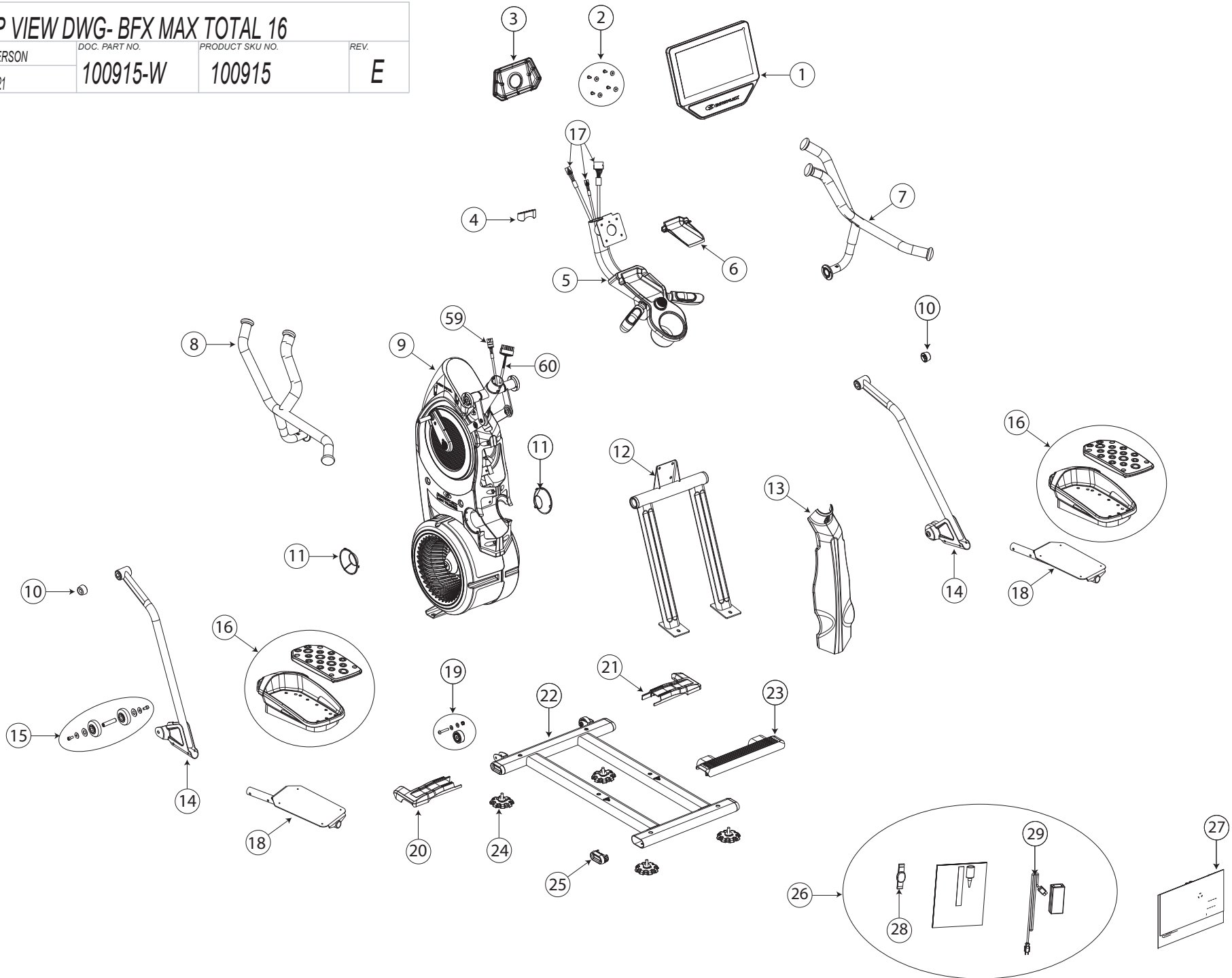
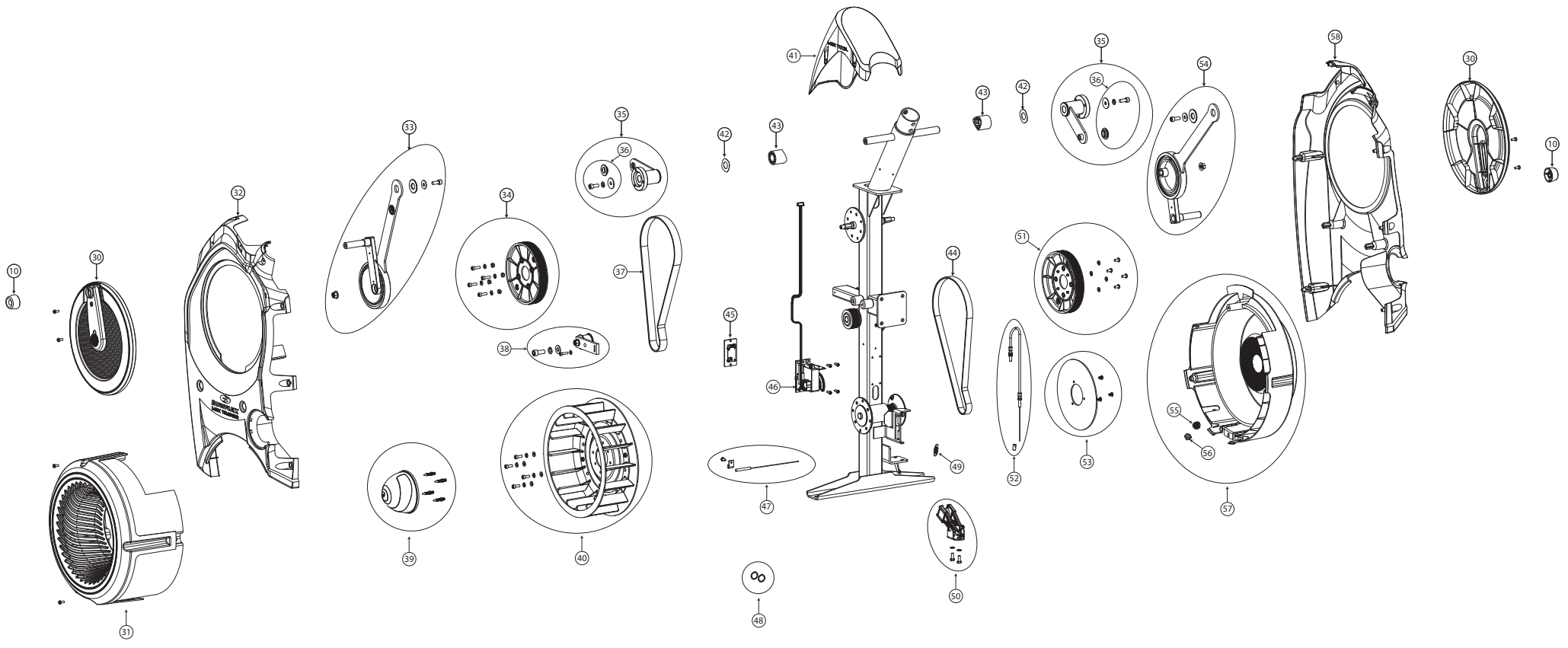


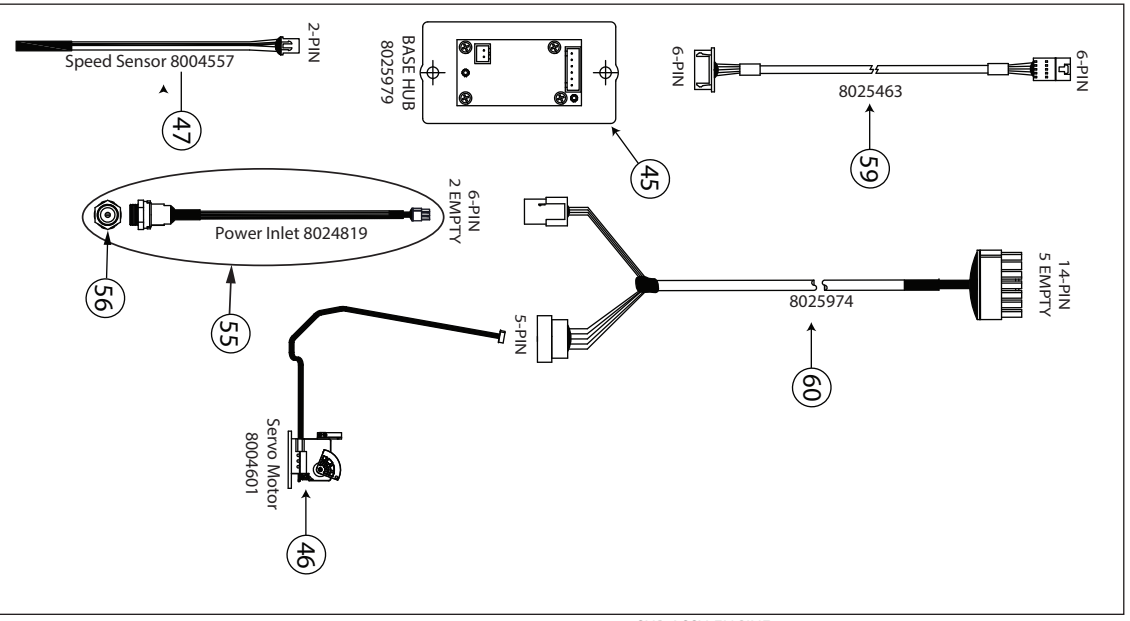
TITLE

EXP VIEW DWG- BFX MAX TOTAL 16

DRAWN R. PETERSON	DOC. PART NO. 100915-W	PRODUCT SKU NO. 100915	REV. E
DATE 03/09/2021			







SUB ASSY, ENGINE
8027323

