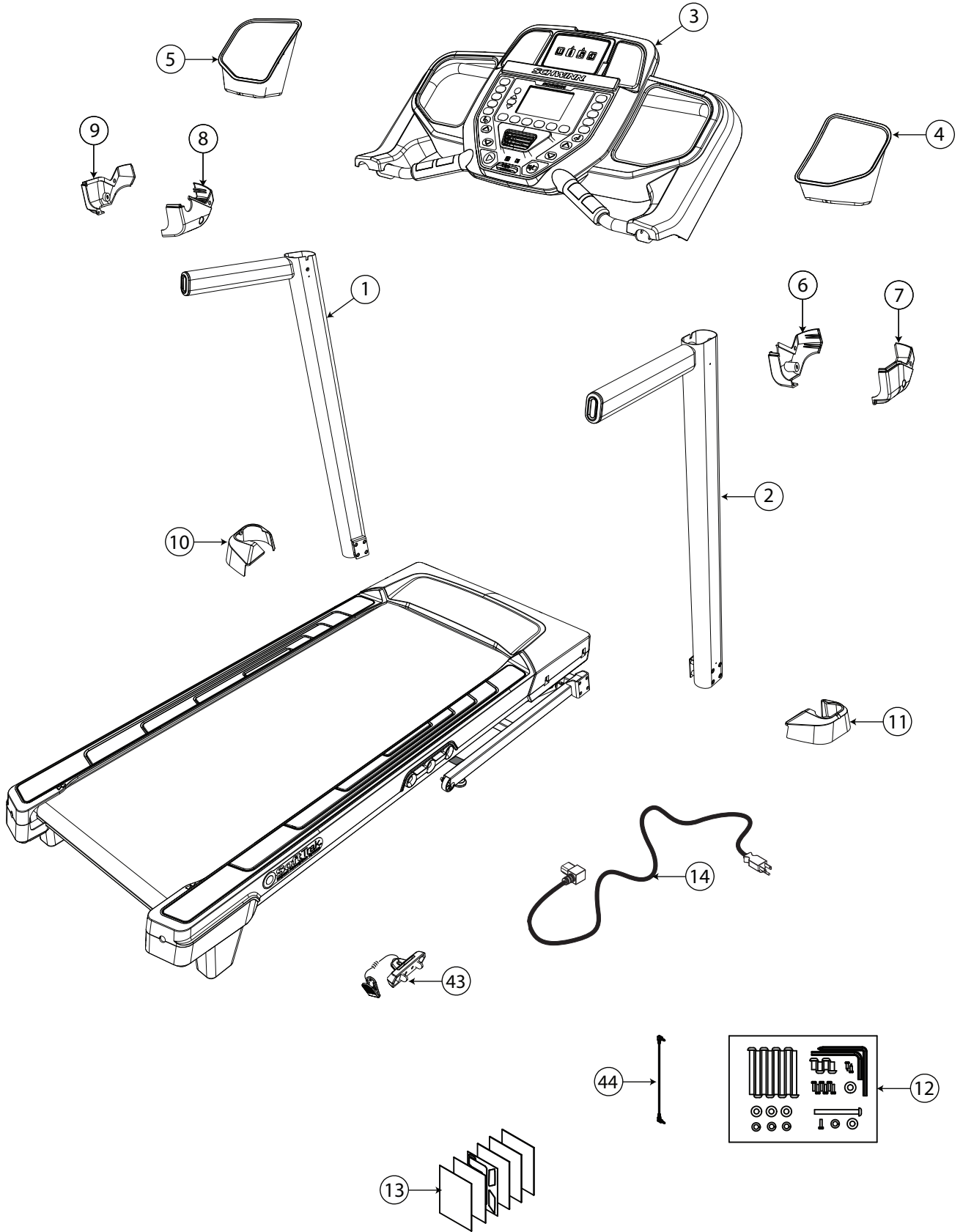
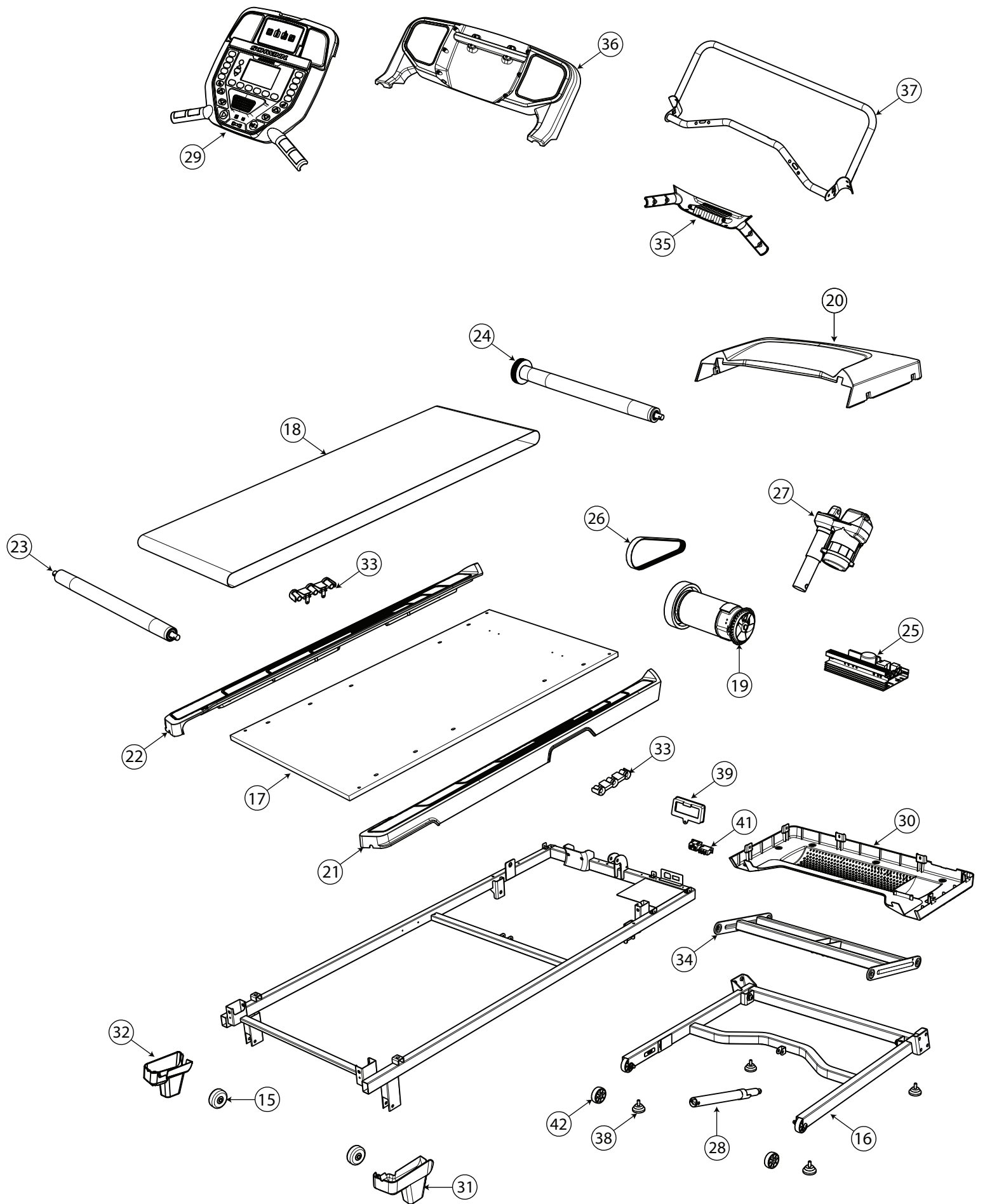


|   |                           |                           |           |
|---|---------------------------|---------------------------|-----------|
| TITLE<br><b>EXP VIEW DWG- Schwinn 810 Treadmill</b> |                           |                           |           |
| DRAWN<br>R. Peterson                                | DOC. PART NO.<br>100799-W | PRODUCT SKU NO.<br>100799 | REV.<br>C |
| DATE<br>08/28/2019                                  |                           |                           |           |





I/O and Ground Cable, MCB to Console (through upright)

