



M7u
Upgrade Kit

USER'S MANUAL



To validate warranty support, keep the original proof of purchase and record the following information:

Serial Number _____

Date of Purchase _____

If purchased in US/Canada: To register your product warranty, go to: www.bowflex.com/register or call 1 (800) 605-3369.

If purchased outside US/Canada: To register your product warranty, contact your local distributor.


For details regarding product warranty or if you have questions or problems with your product, please contact your local distributor. To find your local distributor, go to: www.nautilusinternational.com

Important Safety Instructions

When using an electrical appliance, basic precautions should always be followed, including the following:

 This icon means a potentially hazardous situation which, if not avoided, could result in death or serious injury.

Obey the following warnings:

 Read and understand all warnings on this machine.
Carefully read and understand the Assembly instructions.

⚠ DANGER Carefully read and understand the Assembly instructions. Read and understand the complete Manual. Keep the Manual for future reference.


⚠ DANGER To reduce the risk of electrical shock or unsupervised usage of the equipment, always unplug this machine from the electrical outlet immediately after using and before cleaning.

⚠ WARNING To decrease the risk of burns, electric shock, or injury to persons, read and understand the complete User's Manual. Failure to follow these guidelines can cause a serious or possibly fatal electrical shock or other serious injury.

- Keep bystanders and children away from the product you are assembling at all times.
- Do not connect power supply to the machine until instructed to do so.
- The machine should never be left unattended when plugged in. Unplug from outlet when not in use and before cleaning, maintaining or repairing the machine.
- Before each use, examine the machine for damage to power cord, loose parts or signs of wear. Do not use if found in this condition. If purchased in US/Canada, contact Customer Service for repair information. If purchased outside US/Canada, contact your local distributor for repair information.
- Not intended for use by persons with medical conditions where those conditions may impact the safe operation of the machine or pose a risk of injury to the user.

- Do not drop or put objects into any opening of the machine.
- Never operate this machine with the air openings blocked. Keep the air openings free of lint, hair and the like.
- Do not assemble this machine outdoors or in a wet or moist location.
- Make sure assembly is done in an appropriate work space away from foot traffic and exposure to bystanders.
- Some components of the machine can be heavy or awkward. Use a second person when doing the assembly steps involving these parts. Do not do steps that involve heavy lifting or awkward movements on your own.
- Set up this machine on a solid, level, horizontal surface.
- Do not try to change the design or functionality of this machine. This could compromise the safety of this machine and will void the warranty.
- If replacement parts are necessary, use only genuine Nautilus replacement parts and hardware. Failure to use genuine replacement parts can cause a risk to users, keep the machine from operating correctly and void the warranty.
- Do not use until the machine has been fully assembled and inspected for correct performance in accordance with the Manual.
- Read and understand the complete Manual supplied with this machine before first use. Keep the Manual for future reference.
- Do all assembly steps in the sequence given. Incorrect assembly can lead to injury or incorrect function.
- SAVE THESE INSTRUCTIONS.

Before using this equipment, obey the following warnings:

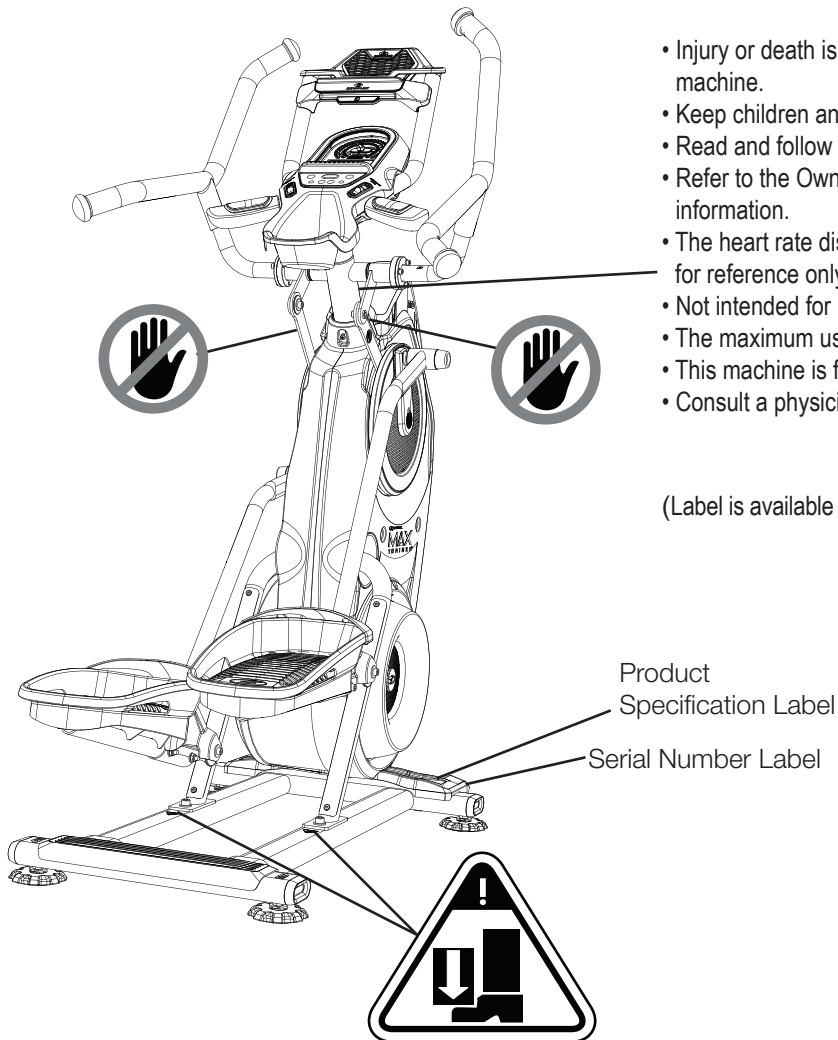
- 
Read and understand the complete Manual. Keep the Manual for future reference.
Read and understand all warnings on this machine. If at any time the Warning labels become loose, unreadable or dislodged, replace the labels. If purchased in US/Canada, contact Customer Service for replacement labels. If purchased outside US/Canada, contact your local distributor for them.

⚠ DANGER To reduce the risk of electrical shock or usage of the equipment, always unplug the power cord from the wall outlet and the machine and wait 5 minutes before cleaning, maintaining or repairing the machine. Place the power cord in a secure location.

- Children must not be let on or near to this machine. Moving parts and other features of the machine can be dangerous to children.
- Not intended for use by anyone under 14 years of age.
- Consult a physician before you start an exercise program or a new health and diet plan. Stop exercising if you feel pain or tightness in your chest, become short of breath, or feel faint. Contact your doctor before you use the machine again. Use the values calculated or measured by the machine's computer for reference purposes only. The heart rate displayed on the console is an approximation and should be used for reference only.
- Before each use, examine this machine for loose parts or signs of wear. Do not use if found in this condition. Monitor the Pedals and Crank Arms closely. If purchased in US/Canada, contact Customer Service for repair information. If purchased outside US/Canada, contact your local distributor for repair information.
- Maximum user weight limit: 136 kg (300 lbs.). Do not use if you are over this weight.
- This machine is for home use only. Do not place or use the machine in a commercial or institutional setting. This includes gyms, corporations, work places, clubs, fitness centers and any public or private entity that has a machine for use by its members, customers, employees or affiliates.
- Do not wear loose clothing or jewelry. This machine contains moving parts. Do not put fingers or other objects into moving parts of the exercise equipment.
- Set up and operate this machine on a solid, level, horizontal surface.
- Make the Pedals stable before you step on them. Use caution when you step on and off the machine.
- Do not operate this machine outdoors or in moist or wet locations.
- Keep at least 0.6 m (24") on each side of the machine clear. This is the recommended safe distance for access and passage around and emergency dismounts from the machine. Keep third parties out of this space when machine is in use.
- Do not over exert yourself during exercise. Operate the machine in the manner described in this manual.

- Perform all regular and periodic maintenance procedures recommended in the User's Manual.
- Keep the Pedals and Handlebars clean and dry.
- Exercise on this machine requires coordination and balance. Be sure to anticipate that changes in speed and resistance level can occur during workouts, and be attentive in order to avoid loss of balance and possible injury.
- This machine cannot stop the Pedals or Upper Handlebars independently of the Resistance Fan. Reduce the pace to slow the Resistance Fan, Upper Handlebars and Pedals to a stop. Do not dismount the machine until the Pedals and Upper Handlebars have come to a complete stop.
- Do not drop or put objects into any opening of the machine.
- Prior to use read and understand the User's Manual. The appliance is not to be used by persons with functional limitations and impairments, reduced physical, sensory or mental capabilities, or lack of experience and knowledge.
- This appliance is not intended for use by persons with reduced physical, sensory or mental capabilities, or lack of knowledge, unless they have been given supervision or instruction concerning use of the appliance by a person responsible for their safety. Keep children under the age of 14 away from this machine.
- Children should be supervised to ensure that they do not play with the appliance.

Safety Warning Labels and Serial Number



WARNING!

- Injury or death is possible if caution is not used while using this machine.
- Keep children and pets away.
- Read and follow all warnings on this machine.
- Refer to the Owner's Manual for additional warnings and safety information.
- The heart rate displayed is an approximation and should be used for reference only.
- Not intended for use by anyone under 14 years of age.
- The maximum user weight for this machine is 136 kg. (300 lbs)
- This machine is for home use only.
- Consult a physician prior to using any exercise equipment.

(Label is available in English and French Canadian only.)

FCC Compliance

⚠ Changes or modifications to this unit not expressly approved by the party responsible for compliance could void the user's authority to operate the equipment.

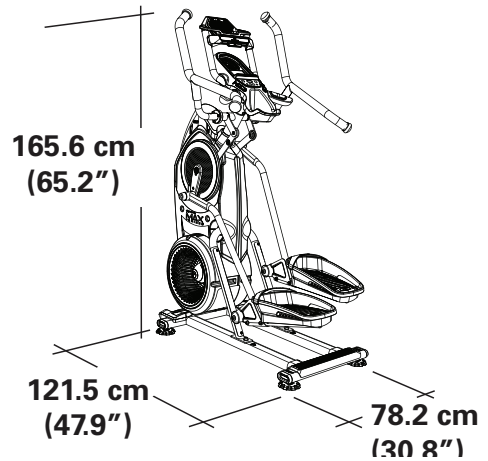
The machine and power supply comply with part 15 of the FCC rules. Operation is subject to the following two conditions: (1) This device may not cause harmful interference, and (2) this device must accept any interference received, including interference that may cause undesired operation.

Note: This machine and power supply have been tested and found to comply with the limits for a Class A digital device, pursuant to Part 15 of the FCC Rules. These limits are designed to provide reasonable protection against harmful interference in a residential installation. This equipment generates, uses and can radiate radio frequency energy and, if not installed and used in accordance with the instructions, may cause harmful interference to radio communications.

However, there is no guarantee that interference will not occur in a particular installation. If this equipment does cause harmful interference to radio or television reception, which can be determined by turning the equipment off and on, the user is encouraged to try to correct the interference by one or more of the following measures:

- Reorient or relocate the receiving antenna.
- Increase the separation between the equipment and receiver.
- Connect the equipment into an outlet on a circuit different from that to which the receiver is connected.
- Consult the dealer or an experienced radio/TV technician for help.

- Maximum User Weight:** 136 kg (300 lbs.)
- Total Surface Area (footprint) of equipment:** 9648.8 cm²
- Maximum Pedal Height:** 48.5 cm (19.1 inches)
- Machine Weight:** 67.1 kg (148 lbs.)
- Power Requirements (AC Adaptor):**
 - Input Voltage: 100-240V AC, 50-60Hz, 0.5A
 - Output Voltage: 9V DC, 1.5A



DO NOT dispose of this product as refuse. This product is to be recycled. For proper disposal of this product, please follow the prescribed methods at an approved waste center.

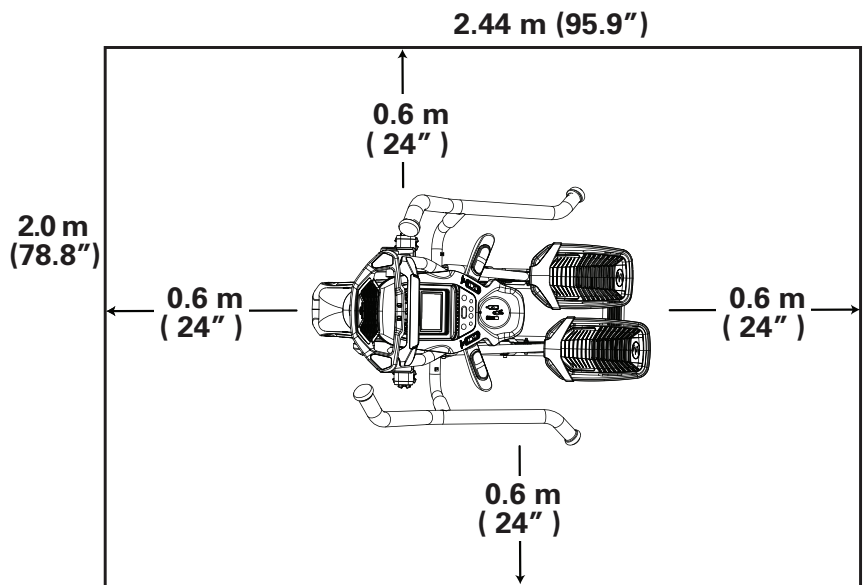
Before Assembly

Select the area where you are going to set up and operate your machine. For safe operation, the location must be on a hard, level surface. Allow a workout area of a minimum 199.4 cm (78.5") x 246.4 cm (97"). Be sure that the workout space you are utilizing has adequate height clearance, taking into consideration the height of the user and the maximum pedal height of the fitness machine.

Basic Assembly Tips

Follow these basic points when you assemble your machine:

- Read and understand the "Important Safety Instructions" before assembly.
- Collect all the pieces necessary for each assembly step.
- Using the recommended wrenches, turn the bolts and nuts to the right (clockwise) to tighten, and the left (counterclockwise) to loosen, unless instructed otherwise.
- When attaching 2 pieces, lightly lift and look through the bolt holes to help insert the bolt through the holes.
- The assembly requires 2 people.



Machine Mat

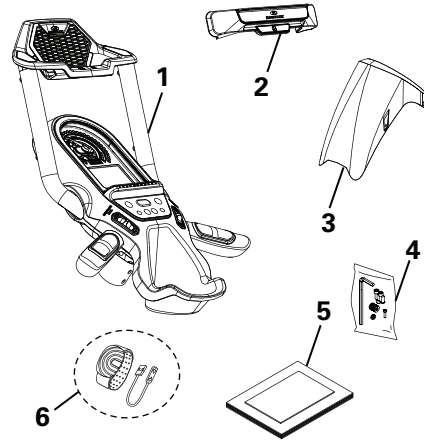
The Bowflex™ Max Trainer™ Machine Mat is an optional accessory that helps keep your workout area clear and adds a layer of protection to your floor. The rubber machine mat provides a non-slip, rubber surface which limits static discharge and reduces the possibility of display errors. If possible, put your Bowflex™ Max Trainer™ Machine Mat in your selected workout area before you begin assembly.

To order the optional machine mat, contact Customer Service (if purchased in US/Canada) or your local distributor (if purchased outside US/Canada).

Parts / Hardware / Tools

Parts

Item	Qty	Description
1	1	Console Assembly (w/Aerobars)
2	1	Media Capture Bar
3	1	Upper Shroud
4	1	Hardware Bag
5	1	Manual Kit
6	1	Bluetooth® Heart Rate Armband with Charging Cable



Hardware

Item	Qty	Description
A	4	Socket Head Hex Screw, M6x1.0x20 Black
B	4	Lock Washer, M6x14.8 Black
C	4	Washer, Flat M6x13 Black
D	4	Phillips Screw, M4x12



Note: Select pieces of Hardware may have been provided as spares on the Hardware Card. Be aware that there may be remaining Hardware after the proper assembly of your machine.

Tools

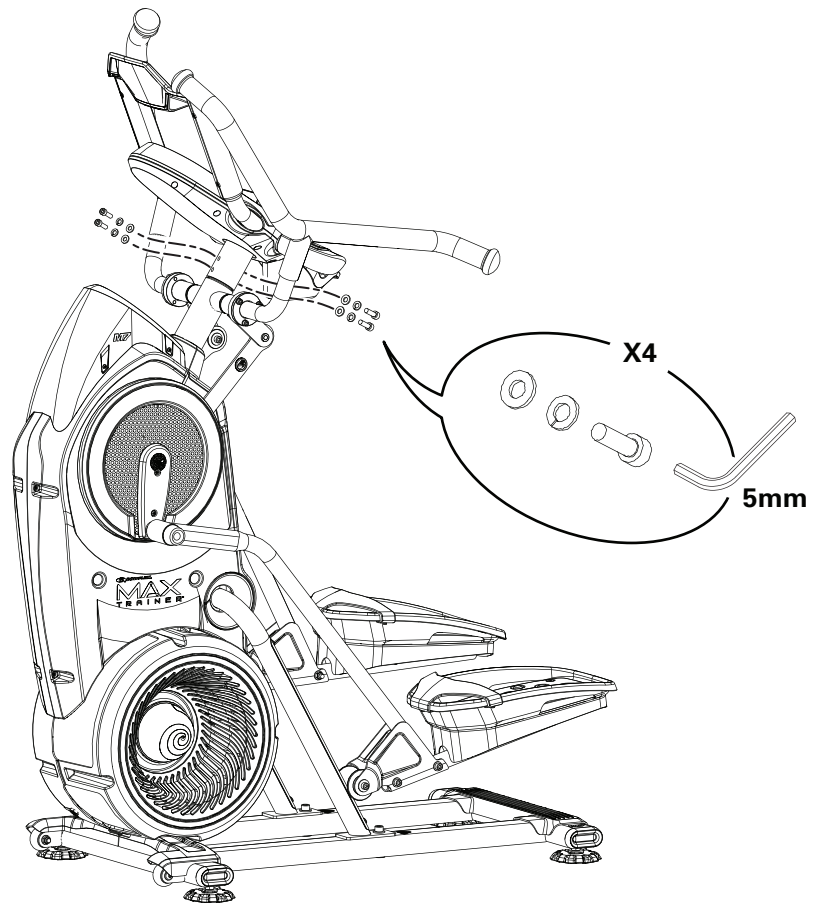
Included



#2
5 mm

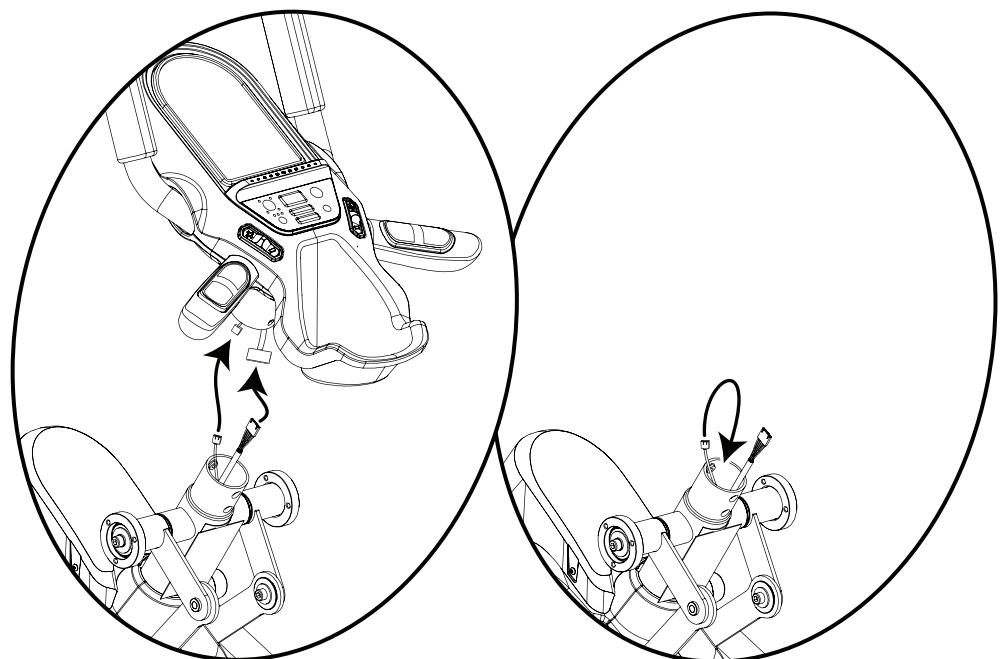
1. Unplug the AC Adapter from the wall outlet and machine.

2. Remove the hardware from the Console Assembly.



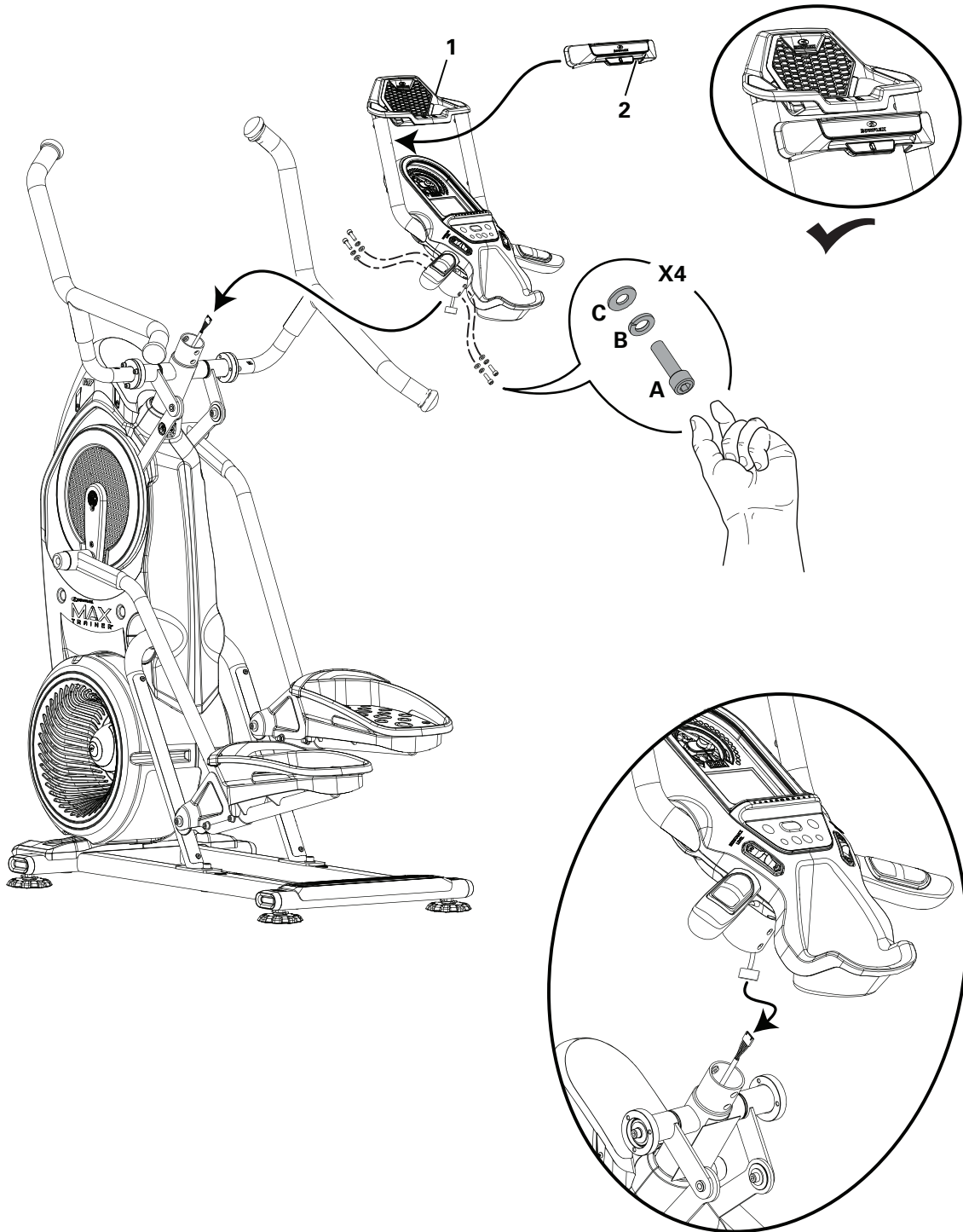
3. Gently lift the Console Assembly and disconnect the Cables. Push the smaller Cable down into the Frame Assembly.

Note: Do not crimp any of the Cables.

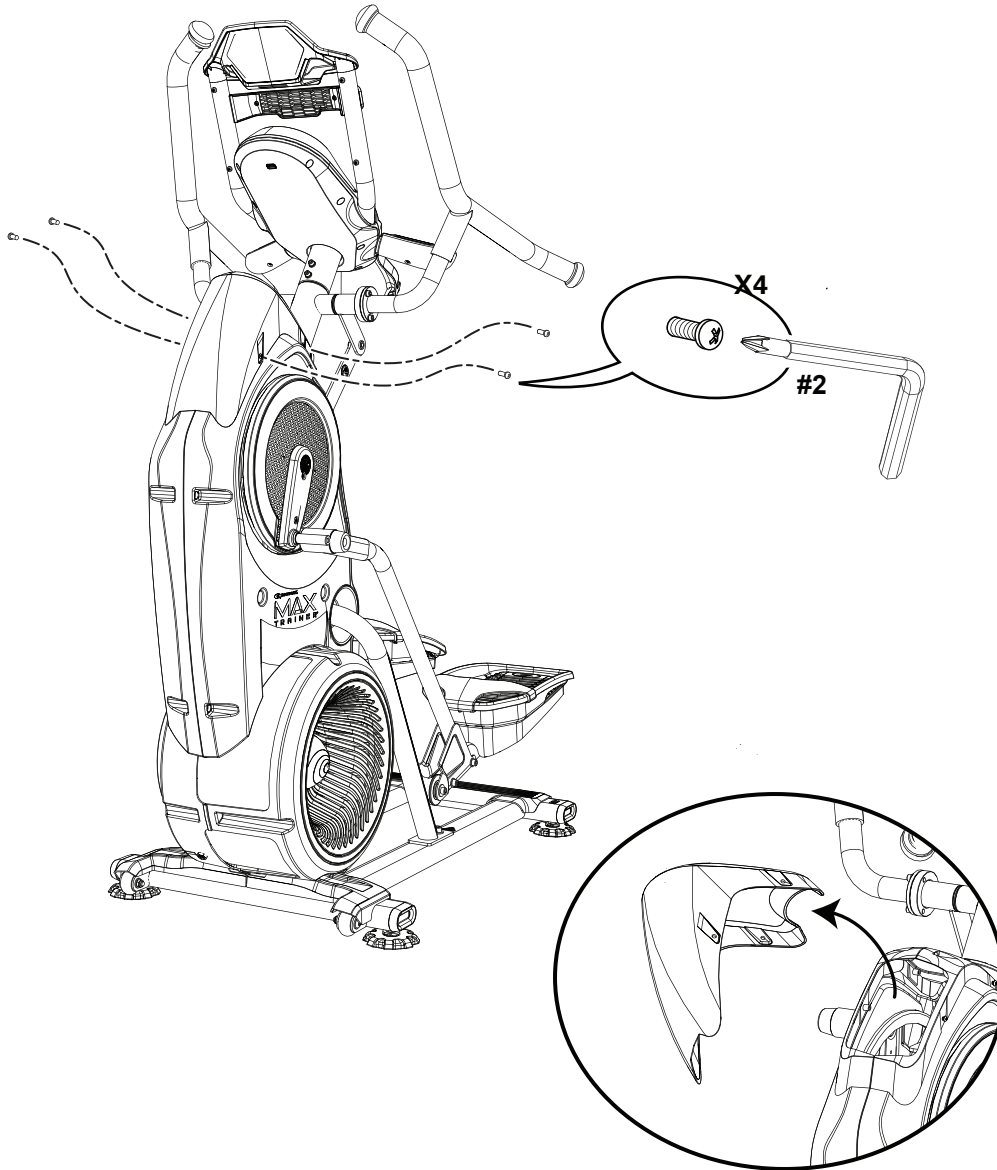


4. Connect the Cables, and attach the new Console Assembly to the Frame Assembly.

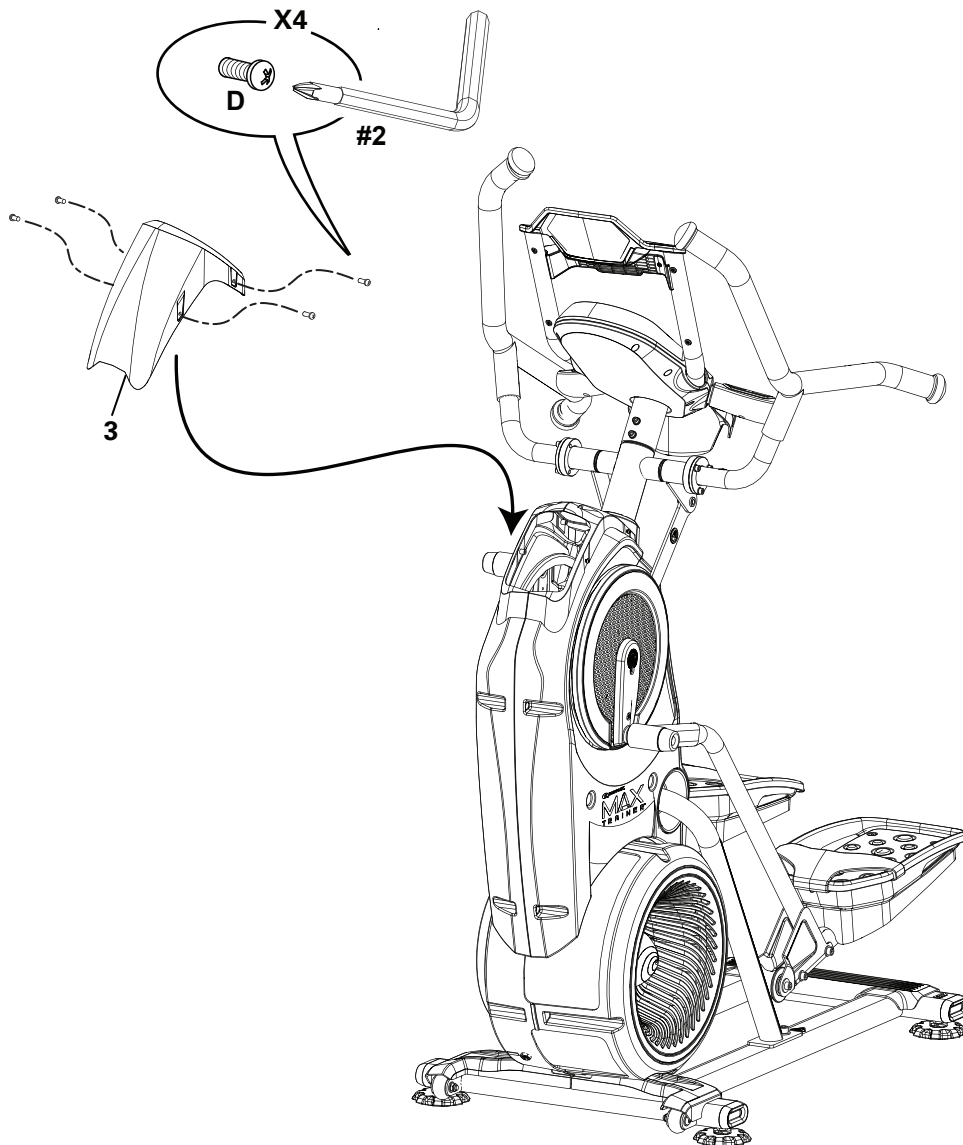
Note: Do not crimp any of the Cables. Once all hardware has been hand tightened, fully tighten the hardware with the 5mm hex wrench



5. Remove the Upper Shroud from the Frame Assembly



6. Attach the new Upper Shroud to the Frame Assembly



7. Final Inspection

Inspect your machine to ensure that all hardware is tight and components are properly assembled.

Note: Remove any protective covers from the face of the Console.

! Do not use until the machine has been fully assembled and inspected for correct performance in accordance with the User's Manual.

Moving the Machine

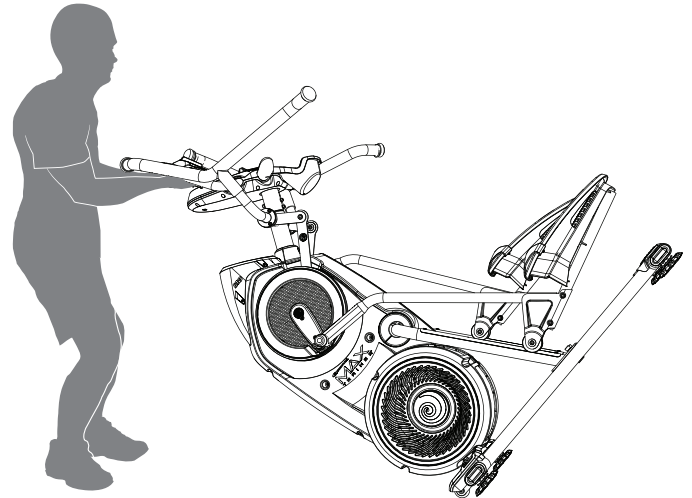
! The machine may be moved by one or more persons depending on their physical abilities and capacities. Make sure that you and others are all physically fit and able to move the machine safely.

1. Grasp the Aero Bars to carefully tilt the machine toward you onto the transport rollers. Be sure not to grab the Media Shelf.

! Be aware of the Handlebars and the weight of the machine before tilting the machine.

2. Push the machine into position.
3. Carefully lower the machine into position.

NOTICE: Be careful when you move the machine. All abrupt motions can affect the computer operation.



Leveling the Machine

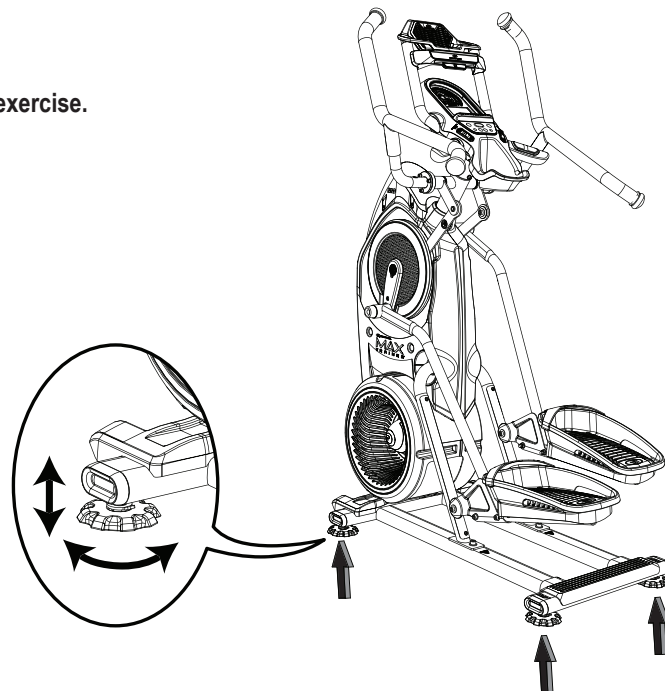
The machine needs to be leveled if your workout area is uneven or if the Rail Assembly is slightly off the floor. To adjust:

1. Place the machine in your workout area.
2. Loosen the locking nuts and adjust the levelers until they are evenly balanced in contact with the floor.

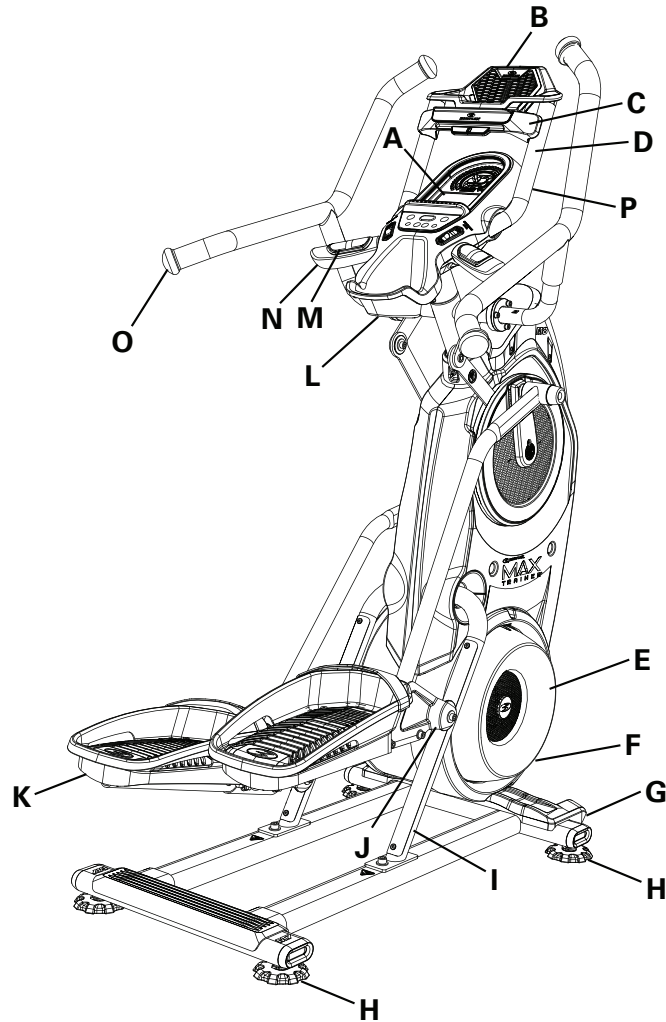
! Do not adjust the levelers to such a height that they detach or unscrew from the machine. Injury to you or damage to the machine can occur.

3. Tighten the locking nuts.

! Make sure the machine is level and stable before you exercise.



Features

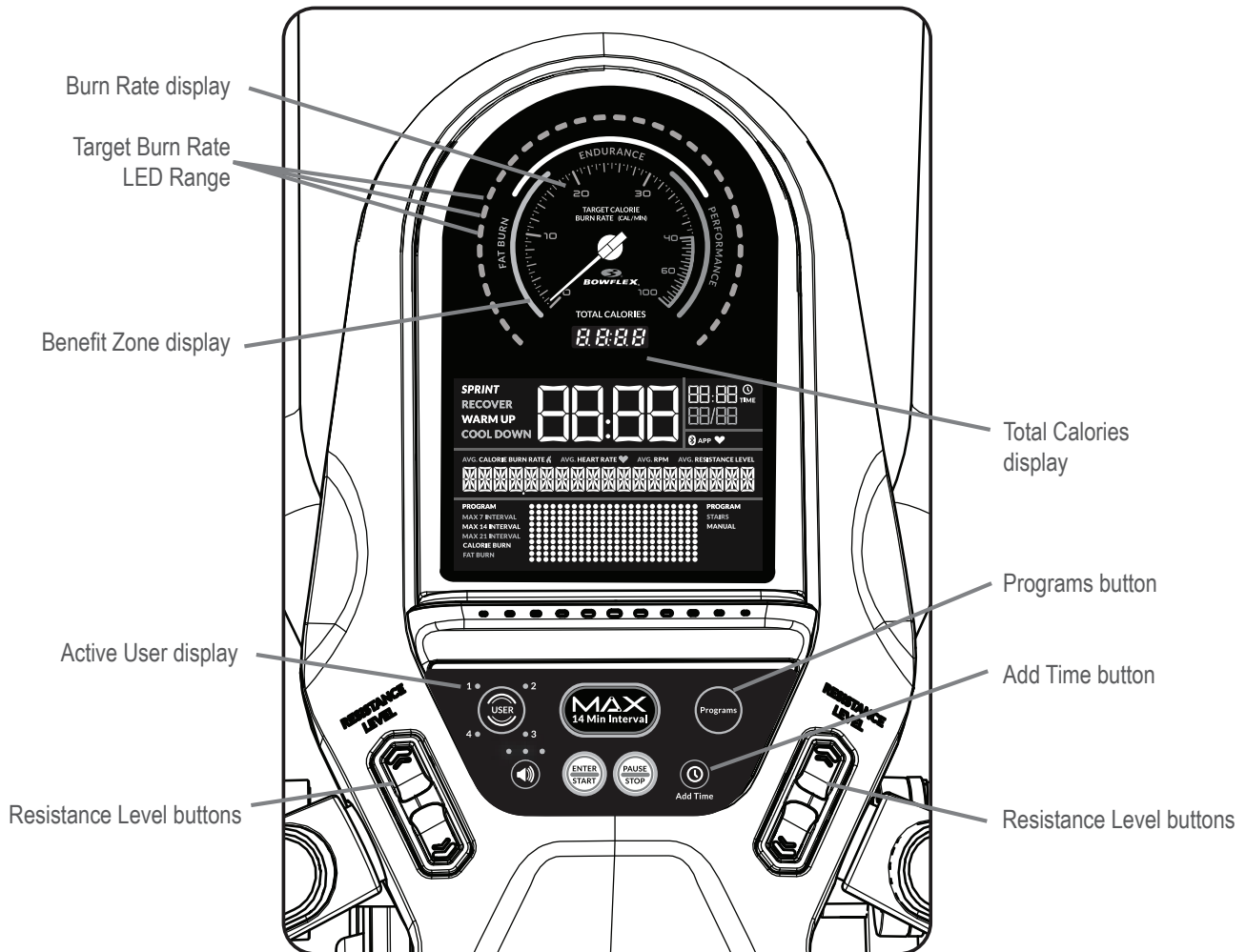


A	Console	I	Rail Assembly
B	Media / Entertainment Shelf	J	Roller
C	Media Capture Bar	K	Pedal
D	Aerobars	L	Water Bottle Holder / Tray
E	Resistance Fan	M	Contact Heart Rate (CHR) Sensors
F	Power Connector	N	Static Handlebars
G	Transport Roller	O	Dynamic Handlebars
H	Leveler	P	Bluetooth® Connectivity (not shown)

⚠ WARNING

Use the values calculated or measured by the machine's computer for reference purposes only. The heart rate displayed is an approximation and should be used for reference only. Over exercising may result in serious injury or death. If you feel faint stop exercising immediately.

Console Features



Burn Rate display

The Burn Rate display shows the level of calories being burned per minute. This rate is a function of Intensity, which is the current level of RPM (pedal speed) and resistance level (1-20). As either of those values increase, the Burn Rate will increase.

Burn Rate Target LED range

The Burn Rate Target LED range is a workout coach based on the settings of the selected User Profile. A range of three LED's are activated during a workout. The first of the LEDs in the range is a suggested beginner level, with the higher LED being for a more advanced fitness user. The Intensity of the range is based on the Workout Profile Display.

Note: Be sure the User Profile is current for a more exact calorie burn rate and suggested target range.

⚠ The Target LED Range is a suggested workout level, and should only be followed if your physical fitness level allows.

During an Interval workout, the SPRINT segment will be red LEDs, and the RECOVER segment will be green LEDs.

Maximum Burn Rate LED marker

The Maximum Burn Rate LED marker is an orange LED that shows the highest rate of calorie burn achieved during the current workout.

Benefit Zone display

A suggested Burn Rate Target Zone to gain the full benefits from the current workout; Fat Burn, Endurance, and Performance Zones.

Calorie Burn or Fat Burn programs	"Fat Burn" Benefit Zone
Manual program	"Endurance" Benefit Zone
Stairs program	"Performance" Benefit Zone

Total Calories display

The Total Calories display shows the estimated calories that have been burned during the workout. The maximum display is 9999.

Active User display

The Active User display shows the selected user profile. A user profile is always selected.

Note: For more accurate calorie counts and Burn Rate Targets, be sure to edit your User Profile.

User button

Push to select the desired User Profile, push and hold for 3 seconds to edit the selected User Profile.

Volume button and indicator lights

The Volume button sets the sound level of the Console, and the indicator lights show the current setting; low (1 LED), medium (2 LEDs), high (3 LEDs), or off (no LEDs).

MAX 14 Minute Interval button

Push to start the MAX 14 Minute Interval workout.

PROGRAMS button

Push to select a workout program.

ENTER/START button

Starts the selected Program workout, or resumes a paused workout. Push to accept the displayed value for an option.

PAUSE/STOP button

Pauses an active workout, ends a paused workout, or goes to the Power-Up Mode screen.

Add Time button

Increases the length of a workout by 2.5 minutes for non-Interval Workouts.

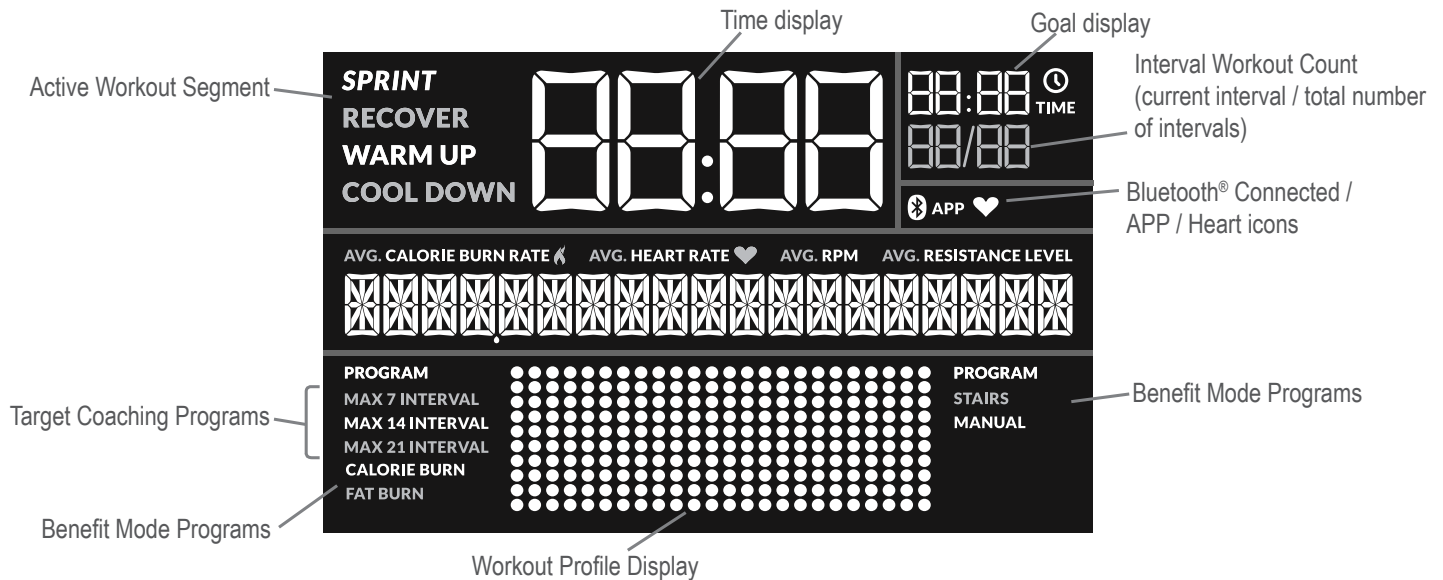
Note: Button is disabled during a Manual program.

Resistance Level buttons

Adjusts the resistance level of the workout, selects a workout program, or changes a displayed value.

Console Display

The console display shows the workout measurements and current options.



SPRINT

The high Intensity segment of an Interval workout. During an Interval workout, the active segment shifts between the SPRINT and RECOVER segments with an audible confirmation, counting the time down for the currently active segment.

RECOVER

The reduced output workout segment of an Interval workout, counting down until the next SPRINT segment.

WARM UP

WARM UP starts when the machine is used, but a workout has not been started. The WARM UP Active Segment display will activate and the Time display will show the time in Warm Up.

COOL DOWN

COOL DOWN starts when a workout ends but the machine is still used. The COOL DOWN Active Segment display will activate and the Time display will show the time in Cool Down. The workout results are displayed during Cool Down.

Time display

The Time display shows the time count depending on the style of workout: Interval, Benefit, or Manual.

During an Interval workout, the Time display counts down the current Interval segment (SPRINT or RECOVER). For a Benefit Mode workout, the total time of the workout counts down. During a Manual workout, the Central Time display counts up until the workout is ended.

The maximum display for time is 99:99.

Interval Workout Count

During an Interval workout, the Interval Workout Count displays the count of the currently active Interval and the total number of Intervals for the workout.

Goal display

The Goal display shows the total workout time or the total calories for a non-interval workout. During an Interval workout, the Goal display counts down the time until the end of the workout. This display will be blank during a Manual workout. When the goal is time based, the clock icon is displayed.

Bluetooth® Connected display

Display shows when a device is paired through a Bluetooth® connection.

App icon

Display shows when the Console is paired with the App.

Note: When the App is paired, the Console display will be de-activated. The App will be used to display the workout values.

Heart icon

Display shows when the Console is paired with a Bluetooth® Heart Rate Strap.

Target Coaching Programs

Target Coaching Programs suggest a calorie burn rate as a target during the workout. The Burn Rate Target LED Range activates to show the burn rate target during the workout. The Workout Profile display is Calorie Burn Rate during a Target Coaching Program.

Benefit Mode Programs

Benefit Mode Programs suggest a wide range of calorie burn rate for the workout. The Workout Profile display shows Resistance Level during a Benefit Mode Program.

Workout Profile display

The Workout Profile display area shows the course profile of the program. Each column in the profile shows one workout segment. The higher the column, the higher the intensity of the workout.

During a Target Coaching Program, the Workout Profile shows the target level of Burn Rate. During a Benefit Mode Program, the Workout Profile shows the level of resistance. The Console will adjust the Resistance Level during the workout.

The flashing column shows the currently active segment.

RPM


The RPM display field shows the machine revolutions per minute (pedal speed).

Calorie Burn Rate

The Calorie Burn Rate display field shows the current rate at which calories are being burned per minute. The RPM and Resistance Level directly change this rate. The User Profile settings also affect the rate (User Weight).

Heart Rate

The Heart Rate display shows the heart rate in beats per minute (BPM) from the heart rate sensors. This value will not be shown if a heart rate signal is not detected.

 **Consult a physician before you start an exercise program. Stop exercising if you feel pain or tightness in your chest, become short of breath, or feel faint. Contact your doctor before you use the machine again. The heart rate displayed on the console is an approximation and should be used for reference only.**

Resistance Level

The Resistance Level display field shows the current Resistance Level (1-20). The higher the Resistance Level, the harder it will be to push the Pedals.

Install the Bowflex™ JRNY™ App

The M7u Upgrade Kit operates with the Bowflex™ JRNY™ App. The Upgrade Kit will not operate with the Bowflex™ Max Trainer™ 2 App.

Past workouts tracked with the Bowflex™ Max Trainer™ 2 App can still be reviewed on that app. However, these past workouts cannot be synced to your account on the Bowflex™ JRNY™ App.

Bluetooth® Connectivity with the Bowflex™ JRNY™ App

The Bowflex™ JRNY™ App syncs with your Bowflex™ Max Trainer™ machine to track total calories burned, time, and more. It records and stores every workout for quick reference. The App will also notify you if there is an update to your machine.

The Bowflex™ JRNY™ App also has the Fitness Assessment program. This program detects your level of fitness by simply completing the workout. Follow the prompts during the workout to the best of your abilities, and by the end of the workout the app will have established your baseline level of fitness. It will then create custom workouts* based on your specific fitness level and adapt future workouts against it as you improve.*

1. Download the free app, named "Bowflex™ JRNY™ App". The app is available on Google Play™ and the App Store.

Note: For a complete list of supported devices, review the app on the App Store or Google Play™.

2. Follow the instructions on the app to sync your device. Select the "MAX 8" machine on the app for your M7u Upgrade Kit.

The Console will activate the Bluetooth® synced indicator icon when a Bluetooth® enabled device is synced. When your device is synced, the Console will be de-activated. The app will be used to display the workout values.

Note: If the Bluetooth® synced indicator icon is active and your Bluetooth® enabled device is not synced, the fitness machine may have synced to another Bluetooth® enabled device. Turn the power off to the machine, wait 5 minutes, and restart it with your smart device near the fitness machine.

If the synced indicator icon does not activate and your smart device is enabled, de-activate and re-activate the Bluetooth® wireless feature on your smart device. Follow the instructions on the app. When synced, the indicator icon will activate.

When notified that there is an update to your fitness machine, follow the prompts on the app. Place the device that is running the app on the Media Tray. The app will update the software on the machine with the latest version. Do not remove your device from the Media Tray until the update is complete. The machine will return to the Power-Up screen when the update is completed.

To break the connection from your device to the Console, simply close the app. If the connection does not break, push the USER button on the Console. This will break the connection and disconnect the device. If any buttons on the Console are pushed (besides the USER button), the Console will display, "Push Stop Button to Disconnect".

Workout with Other Apps

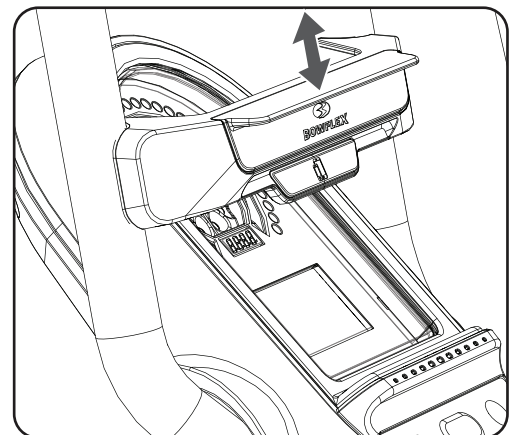
This fitness machine has integrated Bluetooth® connectivity which allows it to work with a number of digital partners. For our latest list of supported partners, please visit: bowflex.com/max-trainer-app.html

USB Charging

If a USB Device is attached to the USB Port, the Port will attempt to charge the Device. The power supplied from the USB Port may not be enough to operate the Device and charge it at the same time.

Secure Your Device for a Workout

This fitness machine is equipped with a Media Capture Bar that secures a variety of sized devices to the Media Tray. The Media Capture Bar has two tabs to use depending on the size of

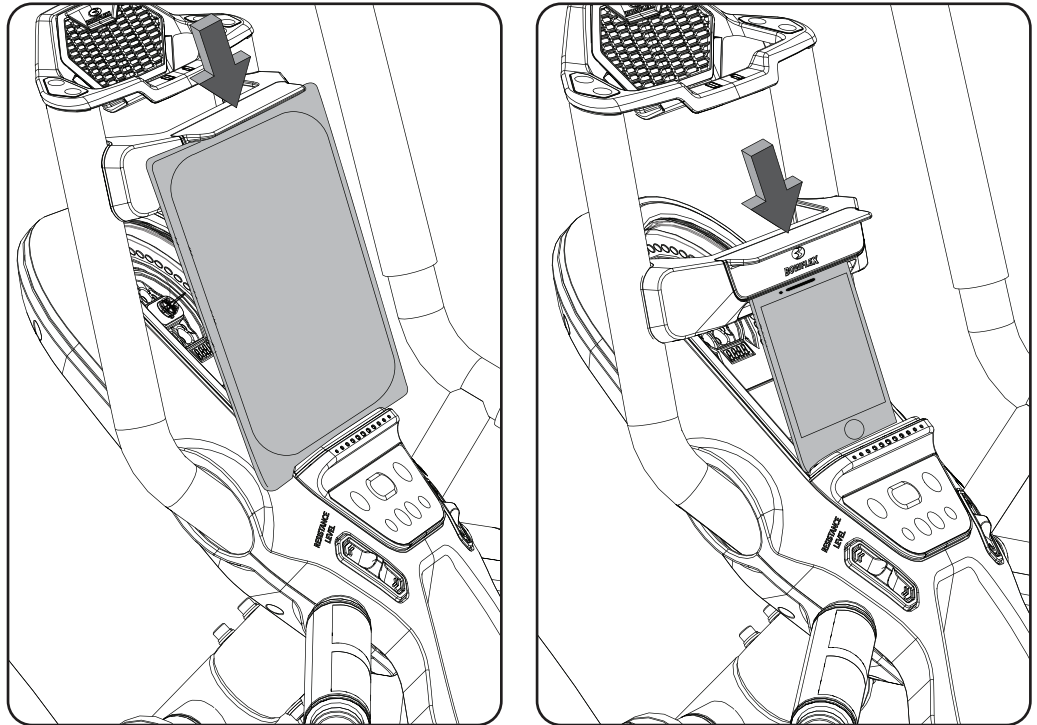


* The custom workout feature requires a subscription to the premium features of the Bowflex™ JRNY™ app. The Bowflex™ JRNY™ subscription must be purchased separately from within the Bowflex™ JRNY™ app or (for United States customers only) directly from Nautilus, Inc. by calling 800-269-4216. This feature may not be available in all countries.

your device. The upper, or large device, tab is used for devices such as a tablet or larger phone. The lower, or small device, tab is used for smaller devices such as a phone or mini tablet.

To secure your device, place the lower edge of your device in the Media Tray. Then shift the Media Capture Bar downward until your device is captured securely in the appropriate tab and the Media Tray.

Note: Smaller devices that are placed on their side may not be able to be secured. Rotate the device and secure it in the upright position.



Bluetooth® Heart Rate Enabled

Your fitness machine is equipped to be able to receive a signal from a Bluetooth® Heart Rate device. When connected, the Console will display the Bluetooth® Connected icon. Be sure to follow the described method to sync your device.

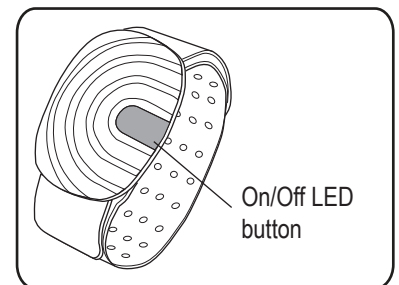
! If you have a pacemaker or other implanted electronic device, consult your doctor before using a Bluetooth® strap or other Bluetooth® heart rate monitor.

Bluetooth® Heart Rate Armband

Your fitness machine is provided with a Bluetooth® Heart Rate Armband. When the Bluetooth® Heart Rate Armband is connected, the Console will display the Bluetooth® Connected icon.

! If you have a pacemaker or other implanted electronic device, consult your doctor before using a Bluetooth® armband or other Bluetooth® heart rate monitor.

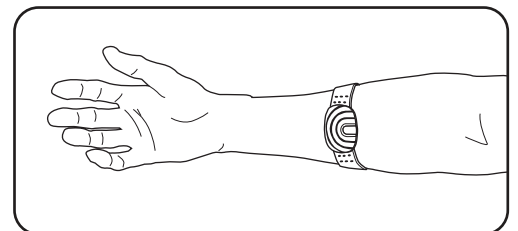
The Heart Rate Armband should be worn on the upper portion of your forearm, with the Heart Rate Sensor to the inside of your forearm. It should be snug enough not to move around on your arm, but not so tight that it restricts blood circulation.



On/Off LED button

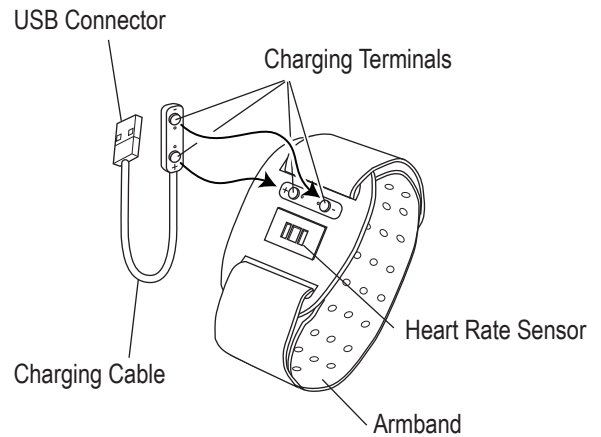
Note: Be sure to remove the protective cover from the Heart Rate Sensor before use.

1. Put the Bluetooth® Heart Rate Armband onto the upper portion of your forearm.
2. Push the On/Off LED button on the Heart Rate Armband to activate it. The LED will flash blue quickly, indicating that the armband has been activated.
3. The LED will flash blue slowly when a heart rate is detected. The Bluetooth® Connected icon will activate on the Console when connected. You are ready to workout.



At the end of your workout, push the On/Off LED button to disconnect and deactivate your Heart Rate Armband.

If you press the On/Off LED button and the LED flashes red several times, the battery is low and should be charged. To charge the Bluetooth® Heart Rate Armband, connect the Charging Cable to the Charging Terminals on the inside of the Sensor. Connect the Charging Cable to a powered USB Port. The LED will flash red and green while charging. When fully charged, the LED will be green continuously.



Contact Heart Rate Sensors

Contact Heart Rate (CHR) sensors send your heart rate signals to the Console. The CHR sensors are the stainless steel parts of the Handlebars. To use, put your hands comfortably around the sensors. Be sure that your hands touch both the top and the bottom of the sensors. Hold firm, but not too tight or loose. Both hands must make contact with the sensors for the Console to detect a pulse. After the Console detects four stable pulse signals, your initial pulse rate will be shown.

Once the Console has your initial heart rate, do not move or shift your hands for 10 to 15 seconds. The Console will now validate the heart rate. Many factors influence the ability of the sensors to detect your heart rate signal:

- Movement of the upper body muscles (including arms) produces an electrical signal (muscle artifact) that can interfere with pulse detection. Slight hand movement while in contact with the sensors can also produce interference.
- Calluses and hand lotion may act as an insulating layer to reduce the signal strength.
- Some Electrocardiogram (EKG) signals generated by individuals are not strong enough to be detected by the sensors.
- The proximity of other electronic machines can generate interference.



Use the values calculated or measured by the machine's computer for reference purposes only.

Heart Rate Calculations

Your maximum heart rate usually decreases from 220 Beats Per Minute (BPM) in childhood to approximately 160 BPM by age 60. This fall in heart rate is usually linear, decreasing by approximately one BPM for each year. There is no indication that training influences the decrease in maximum heart rate. Individuals of the same age could have different maximum heart rates. It is more accurate to find this value by completing a stress test than by using an age related formula.

Your at-rest heart rate is influenced by endurance training. The typical adult has an at-rest heart rate of approximately 72 BPM, whereas highly trained runners may have readings of 40 BPM or lower.

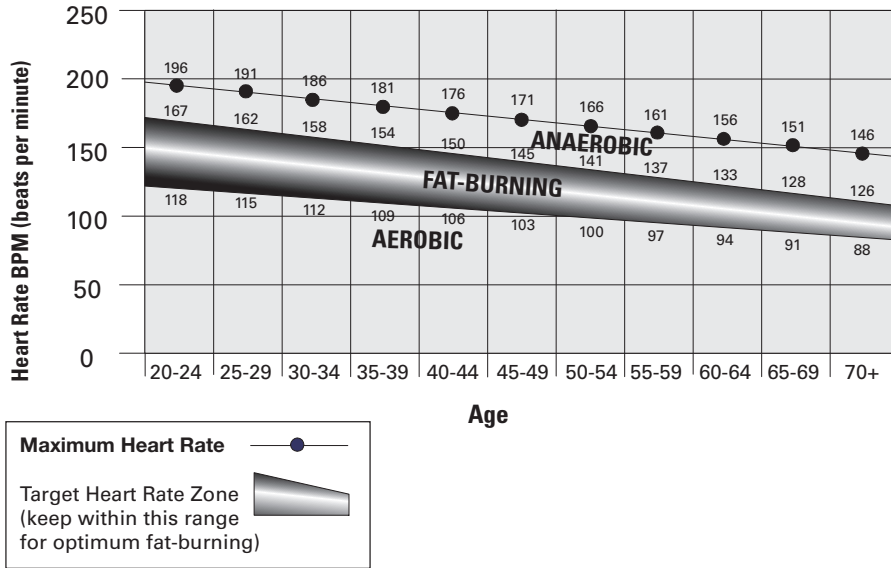
The Heart Rate table is an estimate of what Heart Rate Zone (HRZ) is effective to burn fat and improve your cardiovascular system. Physical conditions vary, therefore your individual HRZ could be several beats higher or lower than what is shown.

The most efficient procedure to burn fat during exercise is to start at a slow pace and gradually increase your intensity until your heart rate reaches between 60 – 85% of your maximum heart rate. Continue at that pace, keeping your heart rate in that target zone for over 20 minutes. The longer you maintain your target heart rate, the more fat your body will burn.

The graph is a brief guideline, describing the generally suggested target heart rates based on age. As noted above, your optimal target rate may be higher or lower. Consult your physician for your individual target heart rate zone.

Note: As with all exercises and fitness regimens, always use your best judgment when you increase your exercise time or intensity.

FAT-BURNING TARGET HEART RATE



How Often Should You Exercise

! Consult a physician before you start an exercise program. Stop exercising if you feel pain or tightness in your chest, become short of breath, or feel faint. Contact your doctor before you use the machine again. Use the values calculated or measured by the machine's computer for reference purposes only. The heart rate displayed on the console is an approximation and should be used for reference only.

- 3 times a week for about 14 minutes each day.
- Schedule workouts in advance and try to follow the schedule.

Note: If you are new to exercise (or returning to a regular exercise program), and you are unable to comfortably complete 14 minutes of continuous exercise at one time, just do 5 – 10 minutes, and gradually increase your workout time until you can reach a 14 minute total.

Intensity of Workout

To increase the intensity of your workout:

- Push yourself to increase the number of Pedal revolutions per minute.
- Place your feet further out toward the rear of the Pedals.
- Increase the Intensity Level and keep your RPM consistent, or increase it as well.
- Use your upper and lower body at different levels.
- Shift your grip location on the Handlebars to work out other parts of your upper body.

Hand Placement (Grip Selection)

This fitness machine is equipped with multiple Handlebars which allow for a variety of different types of workouts. As you progress on your fitness routine, shift your hand placement to target different muscle groups.

! Exercise on this machine requires coordination and balance. Be sure to anticipate that changes in speed and resistance level can occur during workouts, and be attentive in order to avoid loss of balance and possible injury.

The Dynamic Handlebars allow for a variety of upper body workouts. When starting out, place your hands where it feels most comfortable and stable on the Dynamic Handlebars.

The Static Handlebars below the Console Assembly can also be used to add stability during a workout, as well as provide your heart rate.

For a workout focused on legs, lean in until your forearms run along the Aerobars with your hands upward. When leaning in, be aware of the motion of the Dynamic Handlebars during the workout.

Mounting and Dismounting Your Machine

! Care should be used when mounting or dismounting the machine.

Be aware that the Pedals and the Handlebars are connected and when either of these parts move the other does as well. In order to avoid possible serious injury, grasp the Static Handlebars to steady yourself.

Be sure there is nothing under the Pedals or in the Air Resistance Fan before moving anything on the machine.

To mount your fitness machine:

1. Move the Pedals until the one nearest to you is in the lowest position.
2. Grasp the Static Handlebars under the Console Assembly.
3. Steadying yourself with the Static Handlebars, step up onto the lowest Pedal and place your other foot onto the opposite Pedal.

Note: "Bottomed out" is when the User is unable to start a workout because the Pedals will not move. If this occurs, safely grasp the Static Handlebars and apply your weight to the heel of the higher foot. While still grasping the Static Handlebar, lean back slightly applying more weight onto the heel. Once the Pedals begin to move, resume your intended workout.

To dismount your fitness machine:

1. Move the Pedal you want to dismount from to the highest position, and bring the machine to a complete stop.

⚠ This machine is not equipped with a free-wheel. Pedal speed should be reduced in a controlled manner.

2. Grasp the Static Handlebars under the Console to steady yourself.
3. With your weight on the lowest foot, swing the upper foot off the machine and down onto the floor.
4. Step off of the machine and release your grip from the Static Handlebars.

Getting Started

1. Place the fitness machine in your workout area.

⚠ Place the machine on a clean, hard, level surface, free from unwanted material or other objects that may hamper your ability to move freely. A rubber mat can be used below the machine to prevent the release of static electricity and protect your flooring.

The machine can be moved by one or more persons. Make sure that your own physical strength is capable of safely moving the machine.

2. Examine for any objects below the Pedals and in the Air Resistance Fan. Be sure it is clear.
3. Connect the power cord to the machine and into a grounded AC Wall Outlet.
4. If you use a Heart Rate Monitor, follow the Heart Rate Monitor directions.
5. To mount the machine, move the Pedals until the one nearest you is in the lowest position.

⚠ Care should be used when mounting or dismounting the machine.

Be aware that the Pedals and the Handlebars are connected and when either of these parts move the other does as well. In order to avoid possible serious injury, grasp the Static Handlebars to steady yourself.

6. Grasp the Static Handlebars under the Console Button Assembly.
7. Steadying yourself with the Static Handlebars, step up onto the lowest Pedal and place your other foot onto the opposite Pedal.

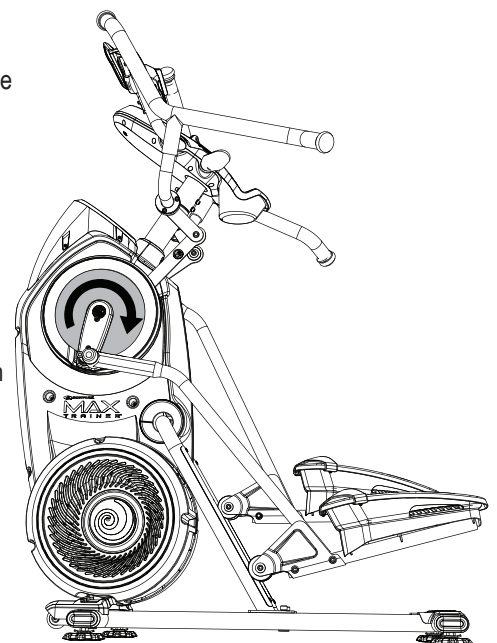
Note: “Bottomed out” is when the User is unable to start a workout because the Pedals will not move. If this occurs, safely grasp the Static Handlebars and apply your weight to the heel of the higher foot. While still grasping the Static Handlebar, lean back slightly applying more weight onto the heel. Once the Pedals begin to move, resume your intended workout.

8. Push the USER button to select the desired User Profile.
9. Push and hold the USER button to edit the User Profile.
10. The Console will display the Units value. Use the Increase/Decrease buttons to adjust the Units value, and push the ENTER/START button to set the value.
11. The Console will display the Weight value for the User Profile. Use the Increase and Decrease buttons to adjust the weight value, and push the ENTER/START button to set the value.

Note: Be sure to program your User Profile (see the Edit a User Profile section) before starting a workout. The suggested Target Burn Rates are based on your User Profile settings.

12. Push the Max 14 Minute Interval button to begin a Quick Start workout. Allow time to become familiar with how your Bowflex™ Max Trainer™ machine operates and responds to adjustments of Resistance Level and rpm.

Note: When operating the Bowflex™ Max Trainer™ machine, be sure the Legs are moving in the direction as shown on the Crank Cover.



Power-Up / Idle Mode (GET READY screen)

The Console will enter Power-Up / Idle Mode if it is plugged into a power source, any button is pushed, or if it receives a signal from the RPM sensor as a result of pedaling the machine.

Auto Shut-Off (Sleep Mode)

If the Console does not receive any input in approximately 5 minutes, it will automatically shut off. The LCD display is off while in Sleep Mode.

Note: The Console does not have an On/Off switch.

Warm Up Mode

A Warm Up mode is available from the Power-Up screen. To begin, just start using the machine until ready for a workout. During Warm Up, the User Profile and the workout can be selected. The Console will only display the current Burn Rate during Warm-Up. The Console will request the user to select a Program after 3 minutes. This is only a notification. Warm up should be continued until the User is ready for the workout.

Note: The workout values from a Warm Up period are not added to the workout or saved for export to the App.

MAX 14 MINUTE INTERVAL Program

The MAX Interval Workout Program is a workout that alternates from intense bursts of output ("SPRINT"), to a slower paced, 'catch your breath' time period ("RECOVER"), both of which are repeated over eight cycles. The Workout Profile Display shows the Burn Rate Target for the MAX 14 Minute Interval program.



1. Stand on the machine.
2. Push the USER button to select your User Profile.

Note: During the workout, the Console will show the Target LED Range based on the selected User Profile settings.

3. Push the MAX 14 Minute Interval button.
4. The workout will begin with an audible countdown as the Burn Rate display needle sweeps across the display and then settles on the current Burn Rate. The Target Burn Rate LED's will also activate and sweep up to the recommended Burn Rate.

The first Interval segment is a "SPRINT" segment that lasts for a shorter period of time. Safely push yourself to get the Burn Rate display into the Burn Rate Target (red LED's) and keep it in the range until the time reaches 00:00.

Note: The Burn Rate Target (LED) Range is provided only as a suggested target. The three LED range provides a lesser target, and allows a User to progress to the higher LED's in the range as their fitness level increases.

During the last 3 seconds of the "SPRINT" segment, the Console will begin an audible countdown.

5. As the time reaches "00:00", the Console will make the third audible confirmation and the next segment of the workout, the "RECOVER" segment, will begin.

The Target LED Range will shift from red to green and sweep to a reduced Burn Rate. During the RECOVER segment, continue to work out but at a lower Intensity.

During the last 3 seconds of the "RECOVER" segment, the Console will begin an audible countdown.

6. As the time reaches "00:00", the Console will make an audible confirmation and shift to the next "SPRINT" segment. This is the completion of the first Interval.

The shift from "SPRINT" to "RECOVER" segments will repeat for a total of 8 cycles over the workout.

7. When the last "RECOVER" segment is completed, the Console will display "WORKOUT COMPLETE", and then show the workout results. The Console will display the time for each "SPRINT" segment, along with TOTAL TIME. If there is no input for 5 minutes, the Console will automatically go into Sleep Mode.

Note: If an Interval workout is ended before all 16 segments have been completed, the Console will only show the last segment completed on the Program Profile.

Edit a User Profile

For a more accurate calorie count and Target Calorie Burn, a User Profile should be customized to the User.

1. Push USER button to select your User Profile (User 1- 4).
2. Push and hold the USER button for 3 seconds to begin the Edit User mode.
3. The Console will display the DISPLAY UNITS prompt ("LBS" or "KG"). Use the Resistance Level/Increase or Decrease buttons to adjust the value, and push ENTER/START to set the value.
4. The Console will display the WEIGHT prompt with the current weight value. Use the Resistance Level/Increase or Decrease buttons to adjust the value, and push ENTER/START to set the value.

⚠ Maximum user weight limit: 136 kg (300 lbs.). Do not use if you are over this weight.

5. The Console will display the ERASE WORKOUTS prompt with the current value ("NO" or "YES"). If necessary, use the Resistance Level/Increase or Decrease buttons to adjust the value. Push ENTER/START to accept the value.
6. The User Profile review is complete, and the Console will display the GET READY screen.

To exit the Edit User mode, push the PAUSE/STOP button. The current values will be saved to the User Profile.

Workout Programs

The Workout Programs are organized into two different styles of Workouts: Target Coaching Workouts and Benefit Mode Workouts.

TARGET COACHING WORKOUTS

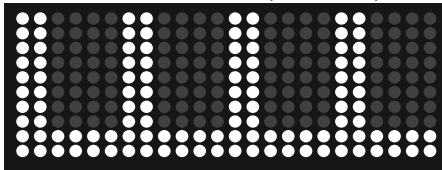
Target Coaching Workouts suggest a Burn Rate Target for the User with the Burn Rate Target LEDs. The Burn Rate Target is based from the profile of the Workout Program. The higher the column, the more intense the Burn Rate Target segment. The flashing column shows the currently active segment.

After two Interval workouts have been completed by the same User, the Console will adjust the Target Coaching values based on the performance during the Sprint Intervals. The Console will use this "intelligent" value as your fitness base for future Interval workouts.

Max Interval

The Max Interval Programs are workouts that alternate from intense bursts of output ("SPRINT"), to a slower paced, 'catch your breath' time period ("RECOVER"), both of which are repeated over the number of intervals. The Workout Profile display shows the Burn Rate Target for the Interval program. For additional details, reference the "MAX 14 MINUTE INTERVAL Program" section of the manual.

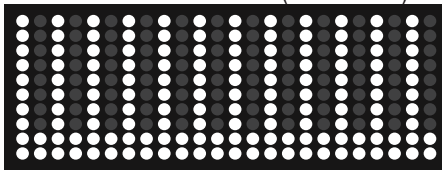
Max 7 Minute Interval (4 Intervals)



Max 14 Minute Interval (8 Intervals)



Max 21 Minute Interval (12 Intervals)



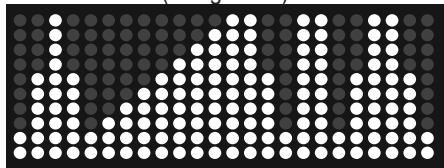
BENEFIT MODE WORKOUTS

Benefit Mode Workouts show the course profile of the program in Resistance Levels. Each column in the profile shows one workout segment. The higher the column, the higher the resistance level. During a Benefit Mode workout, the Benefit Zone display suggests a Burn Rate Target range to optimize the program. Each workout is for 15 minutes.

The flashing column shows the currently active segment. The Console will adjust the Resistance Level to follow the Workout Profile Display.

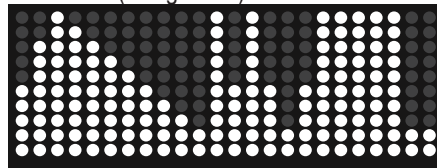
Note: If the Resistance Level is adjusted during a workout, the profile of the Workout Program will change.

Calorie Burn (6 segments)



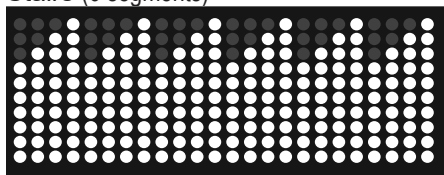
(use the "Fat Burn" Benefit Zone)

Fat Burn (6 segments)



(use the "Fat Burn" Benefit Zone)

Stairs (6 segments)

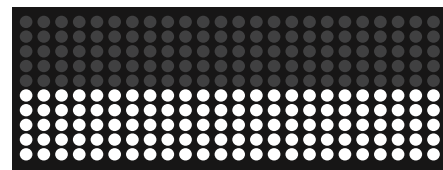


(use the "Performance" Benefit Zone)

Manual (use the "Endurance" Benefit Zone)

The Manual workout program is an open-ended workout that tracks the total workout time. During a Manual workout, the Workout Profile Display shows the Resistance Level.

Note: Because of the open-ended design of the Manual workout, the Add Time button is disabled.



To start a Workout Program:

1. Stand on the machine.
2. Push the PROGRAMS button to select the desired Workout Program.
3. Push the ENTER/START button to begin the selected Workout Program.

Paused / Results / Cool Down Mode

To Pause a workout:

1. Stop pedaling and push the PAUSE/STOP button to pause your workout.

When paused, the Console display will show "WORKOUT PAUSED".

Note: The Console will automatically pause if there is no RPM signal for 5 seconds.

2. To continue your workout, push ENTER/START or start pedaling.

To end the workout, push the PAUSE/STOP button. The Console will display "WORKOUT COMPLETE", save the workout, and then display the workout result values (Total Calories, Total Time, Average Calorie Burn Rate, Average Heart Rate, Average RPM, and Average Resistance Level).

If a workout is completed and the user continues to use the machine, Cool Down will automatically start. The Console will track the time in Cool Down, and display the workout results of the completed workout. Cool Down values are not added to the results or saved. Cool Down is ended with a push of the PAUSE/STOP button or no RPM for 10 seconds.

If there is no input to the Console for 5 minutes, it automatically goes to the Power-Up / Idle Mode.

The Console Setup Mode lets you view maintenance statistics (Total Run Hours and Software Version) or fully reset the Console.

1. Push and hold down the Volume and PAUSE/STOP buttons for 3 seconds while in the Power-Up Mode to go into the Console Setup Mode.

Note: Push PAUSE/STOP to exit the Console Setup Mode and return to the Power-Up Mode screen.

2. The Console display shows the TOTAL HOURS the machine has operated.
3. Push the ENTER/START button for the next prompt.
4. The Console display shows the Firmware Version prompt.
5. Push the ENTER/START button for the next prompt.
6. The Console display shows the BLE VERSION prompt.
7. Push the ENTER/START button for the next prompt.
8. The Console displays the VIEW ERROR LOG NO option. This option is for Service Technicians use only.
9. Push the ENTER/START button for the next prompt.
10. The Console displays the RESET CONSOLE NO prompt.

Note: If you want to reset the Console to factory settings, push the Increase/Decrease buttons to select the "RESET CONSOLE YES" option, and push ENTER/START. Turn the machine off when the Console displays the "POWER CYCLE NOW" prompt.

11. Push the PAUSE/STOP button to exit the Console Setup Mode.

The Console will display the Power-Up Mode screen.

Maintenance

Read all maintenance instructions fully before you start any repair work. In some conditions, an assistant is required to do the necessary tasks.

 **Equipment must be regularly examined for damage and repairs. The owner is responsible to make sure that regular maintenance is done. Worn or damaged components must be repaired or replaced immediately. Only manufacturer supplied components can be used to maintain and repair the equipment.**

If at any time the Warning labels become loose, unreadable or dislodged, replace the labels. If purchased in US/Canada, contact Customer Service for replacement labels. If purchased outside US/Canada, contact your local distributor for them.

DANGER To reduce the risk of electrical shock or usage of the equipment, always unplug the power cord from the wall outlet and the machine and wait 5 minutes before cleaning, maintaining or repairing the machine. Place the power cord in a secure location.

Daily: Before each use, examine the exercise machine for loose, broken, damaged, or worn parts. Do not use if found in this condition. Repair or replace all parts at the first sign of wear or damage. After each workout, use a damp cloth to wipe your machine and Console free of sweat.

Note: Avoid excessive moisture on the Console.

Weekly: Check for smooth roller operation. Wipe the machine to remove dust, dirt, or grime. Clean the rails and surface of the rollers with a damp cloth.

Apply silicone lubricant to a dry cloth and wipe the rails to eliminate roller noise.

 **Silicone lubricant is not intended for human consumption. Keep out of reach of children. Store in a safe place.**

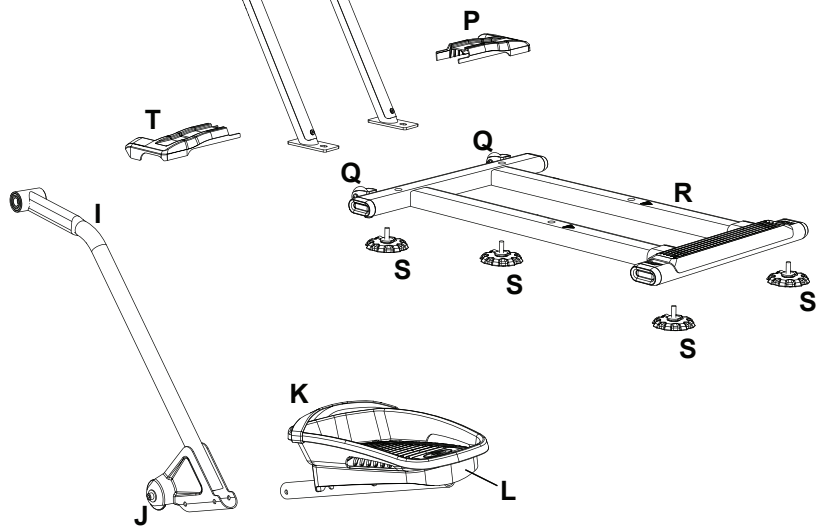
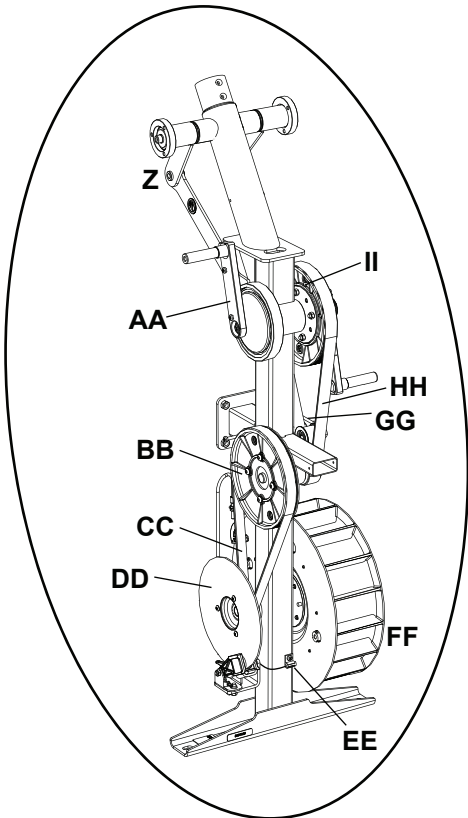
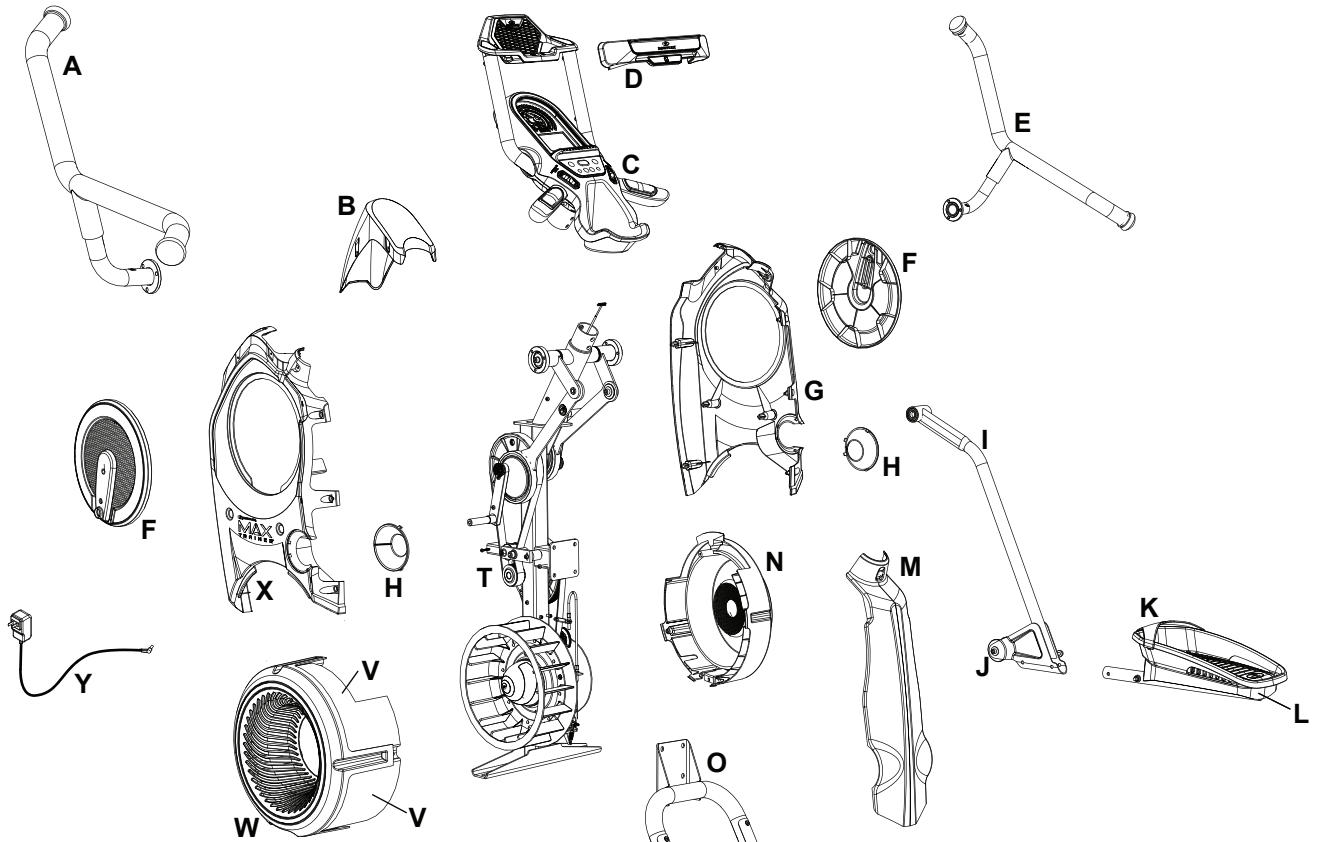
Note: Do not use petroleum based products.

**Monthly
or after 20
hours:**

Make sure all bolts and screws are tight. Tighten as necessary.


NOTICE: If necessary, only use a mild dish soap with a soft cloth to clean the Console. Do not clean with a petroleum based solvent, automotive cleaner, or any product that contains ammonia. Do not clean the Console in direct sunlight or at high temperatures. Be sure to keep the Console free of moisture.

Maintenance Parts



A	Dynamic Handlebar, Left	M	Shroud, Rear	Y	Power Cord
B	Upper Shroud	N	Shroud, Right Fan	Z	Arm Drive Assembly
C	Console Assembly (w/Aerobars)	O	Rail Assembly	AA	Crank Arm
D	Media Capture Bar	P	Stabilizer Shroud, Right	BB	Drive Pulley, Lower
E	Dynamic Handlebar, Right	Q	Transport Wheel	CC	Fan Belt
F	Crank Cover	R	Stabilizer	DD	Disc Brake
G	Shroud, Right	S	Leveler	EE	Speed Sensor
H	Cap	T	Stabilizer Shroud, Left	FF	Fan Assembly
I	Leg	U	Frame Assembly	GG	Tensioner
J	Roller	V	Fan Assembly Inserts	HH	Drive Belt
K	Foot Pad	W	Shroud, Left Fan	II	Drive Pulley, Upper
L	Pedal	X	Shroud, Left		

Condition/Problem	Things to Check	Solution
No display/partial display/unit will not turn on	Check electrical (wall) outlet	Make sure unit is plugged into a functioning wall outlet.
	Check connection at front of unit	Connection should be secure and undamaged. Replace adapter or connection at unit if either are damaged.
	Check data cable connections/orientation	Be sure cable is connected securely and oriented properly. Small latch on connector should line up and snap into place.
	Check data cable integrity	All wires in cable should be intact. If any are visibly crimped or cut, replace cable.
	Check console display for damage	Check for visual sign that console display is cracked or otherwise damaged. Replace Console if damaged.
	AC Adapter	Check for visual sign that AC Adapter is cracked or otherwise damaged. Replace AC Adapter if damaged.
	Console Display	If Console only has partial display and all connections are fine, replace the Console.
		If the above steps do not resolve the problem, contact Customer Service (if inside US/Canada) or your local distributor (if outside US/Canada).
No response on Console when button is pushed	Console Button Assembly	Try other buttons to get any response on the Console.
	Check data cable integrity from Console Button Assembly to Console	All wires in cable should be intact. If any are visibly crimped or cut, replace cable.
	Check data cable connections/orientation	Be sure cable is connected securely and oriented properly. Small latch on connector should line up and snap into place.
	Check console display for damage	Check for visual sign that console display is cracked or otherwise damaged. Replace Console if damaged.
	Check Console Button Assembly	Check for visual sign that the Console Button Assembly is otherwise damaged. Replace the Console Button Assembly if damaged.
		If the above steps do not resolve the problem, contact Customer Service (if inside US/Canada) or your local distributor (if outside US/Canada).
No speed/RPM reading	Check data cable integrity	All wires in cable should be intact. If any are cut or crimped, replace cable.
	Check data cable connections/orientation	Be sure cable is connected securely and oriented properly. Small latch on connector should line up and snap into place.
	Check magnet position (requires shroud removal)	Magnet should be in place on pulley.
	Check Speed Sensor (requires shroud removal)	Speed sensor should be aligned with magnet and connected to data cable. Realign sensor if necessary. Replace if there is any damage to the sensor or the connecting wire.
	Console Electronics	If tests reveal no other issues, contact Customer Service (if inside US/Canada) or your local distributor (if outside US/Canada).
Unit operates but Bluetooth® Heart Rate (HR) not displayed	Heart Rate Strap (not provided)	Make sure strap is directly against skin and contact area is wet.
	Heart Rate Strap Batteries	If strap has replaceable batteries, install new batteries.
	Interference	Try moving unit away from sources of interference (TV, Microwave, etc).
	Replace Chest Strap	If interference is eliminated and HR does not function, replace strap.
	Replace Console	If HR still does not function, replace Console.

Condition/Problem	Things to Check	Solution
Console shuts off (enters sleep mode) while in use	Check electrical (wall) outlet	Make sure unit is plugged into a functioning wall outlet.
	Check connection at front of unit	Connection should be secure and undamaged. Replace adapter or connection at unit if either are damaged.
	Check data cable integrity	All wires in the cable should be intact. If any are cut or crimped, replace cable.
	Check data cable connections/orientation	Be sure cable is connected securely and oriented properly. Small latch on connector should line up and snap into place.
	Reset machine	Unplug unit from electrical outlet for 5 minutes. Reconnect to outlet.
	Check magnet position (requires shroud removal)	Magnet should be in place on pulley.
	Check Speed Sensor (requires shroud removal)	Speed sensor should be aligned with magnet and connected to data cable. Realign sensor if necessary. Replace if there is any damage to the sensor or the connecting wire.
Pedals will not move	Pedal locations	The Pedals may be "bottomed out". Safely grasp the Static Handlebars and apply your weight to the heel of the higher foot. While still grasping the Static Handlebar, lean back slightly applying more weight onto the heel. Once the Pedals begin to move, resume your intended workout.
Fan will not turn	Check for blockage of fan	Remove material from fan. Be sure not to move the Handlebars, Legs or Pedals.  Be aware that the Fan, Handlebars, Legs and Pedals are connected and when either of these parts move the other does as well. If necessary, detach the Shrouds to help with removal. Do not operate machine until Shrouds have been replaced.
Unit rocks/does not sit level	Check leveler adjustment	Adjust levelers until machine is level.
	Check surface under unit	Adjustment may not be able to compensate for extremely uneven surfaces. Move machine to level area.
Foot pedals loose/unit difficult to operate	Hardware	Tightly secure all hardware on the Pedal Arms and Handlebar Arms.
Rubbing sound outside of Shrouds during operation	Caps	Slightly loosen Caps on Crank Arms
Metallic rubbing sound from within Shrouds during operation	Brake bracket	Brake bracket needs to be aligned. Contact Customer Service (if inside US/Canada) or your local distributor (if outside US/Canada).
Machine seems to release Pedals for a moment during operation	Belt slip	Contact Customer Service (if inside US/Canada) or your local distributor (if outside US/Canada).

Condition/Problem	Things to Check	Solution
Workout results will not sync with Bluetooth® enabled device	Bowflex™ JRNY™ App	Use the Bowflex™ JRNY™ App on an upgraded machine. The Bowflex™ Max Trainer™ 2 App does not operate with an upgraded machine.
	Current console mode	Machine must be in Idle Mode to sync. Push the PAUSE/STOP button until the "GET READY" screen is displayed.
	Total time of workout	A workout must be longer than 1 minute to be saved and posted by the Console.
	Fitness machine	Unplug unit from electrical outlet for 5 minutes. Reconnect to outlet.
	Bluetooth® enabled device	Consult your device to be sure that the Bluetooth® wireless feature has been enabled on it.
	Fitness App	Review Specifications of Fitness App and confirm your device is compatible.
		Contact appsupport@nautilus.com (if inside US/Canada) or your local distributor (if outside US/Canada) for further assistance.

Who Is Covered

This warranty is valid only to the original purchaser and is not transferable or applicable to any other person(s).

What Is Covered

Nautilus, Inc. warrants that this product is free from defects in materials and workmanship, when used for the purpose intended, under normal conditions, and provided it receives proper care and maintenance as described in the Product's Assembly and Owner's manual. This warranty is good only for authentic, original, legitimate machines manufactured by Nautilus, Inc. and sold through an authorized agent and used in the United States or Canada.

Terms

Warranty terms for products purchased in US/Canada are as stated below.

- Console 3 years

For warranty & service of products purchased outside US/Canada, please contact your local distributor. To find your local international distributor, go to: www.nautilusinternational.com

How Nautilus Will Support the Warranty

Throughout the terms of the warranty coverage, Nautilus, Inc. will repair any machine that proves to be defective in materials or workmanship. Nautilus reserves the right to replace the product in the event a repair is not possible. When Nautilus determines replacement is the correct remedy, Nautilus may apply a limited credit reimbursement toward another Nautilus, Inc. brand Product, at our discretion. This reimbursement may be prorated based on length of ownership. Nautilus, Inc. provides repair service within major metropolitan areas. Nautilus, Inc. reserves the right to charge the consumer for travel outside these areas. Nautilus, Inc. is not responsible for dealer labor or maintenance charges beyond the applicable warranty period(s) stated herein. Nautilus, Inc. reserves the right to substitute material, parts or products of equal or better quality if identical materials or products are not available at the time of service under this warranty. Any replacement of the product under the terms of the Warranty in no way extends the original Warranty period. Any limited credit reimbursement may be prorated based on length of ownership. THESE REMEDIES ARE THE EXCLUSIVE AND SOLE REMEDIES FOR ANY BREACH OF WARRANTY.

What You Must Do

- Retain appropriate and acceptable Proof of Purchase.
- Operate, maintain, and inspect the Product as specified in the Product Documentation (Assembly, Owner's Manuals, etc.).
- Product must be used exclusively for the purpose intended.
- Notify Nautilus within 30 days after detecting an issue with the Product.
- Install replacement parts or components in accordance with any Nautilus instructions.
- Perform diagnostic procedures with a trained Nautilus, Inc representative if requested.

What Is Not Covered

- Damage due to abuse, tampering or modification of the Product, failure to properly follow assembly instructions, maintenance instructions, or safety warnings as stated in the Product Documentation (Assembly, Owner's Manuals, etc), damage due to improper storage or the effect of environmental conditions such as moisture or weather, misuse, mishandling, accident, natural disasters, power surges.
- A machine placed or used in a commercial or institutional setting. This includes gyms, corporations, work places, clubs, fitness centers and any public or private entity that has a machine for use by its members, customers, employees or affiliates.
- Damage caused by exceeding maximum user weights as defined in the Product's Owner's manual or warning label.
- Damage due to normal usage and wear and tear.
- This warranty does not extend to any territories or countries outside the United States and Canada.

How to Obtain Service

For Products purchased directly from Nautilus, Inc. contact the Nautilus office listed on the Contacts page of the products Owner's manual. You may be required to return the defective component to a specified address for repair or inspection, at your expense. Standard ground shipping of any warranty replacement parts will be paid by Nautilus, Inc. For products purchased from a retailer, you may be asked to contact your retailer for warranty support.

Exclusions

The preceding warranties are the sole and exclusive express warranties made by Nautilus, Inc. They supersede any prior, contrary or additional representations, whether oral or written. No agent, representative, dealer, person or employee has the authority to alter or increase the obligations or limitations of this warranty. Any implied warranties, including the WARRANTY OF MERCHANTABILITY and any WARRANTY OF FITNESS FOR A PARTICULAR PURPOSE, are limited in duration to the term of the applicable express warranty provided above, whichever is longer. Some states do not allow limitations on how long an implied warranty lasts, so the above limitation may not apply to you.

Limitation of Remedies

EXCEPT AS OTHERWISE REQUIRED BY APPLICABLE LAW, THE PURCHASER'S EXCLUSIVE REMEDY IS LIMITED TO REPAIR OR REPLACEMENT OF ANY COMPONENT DEEMED BY NAUTILUS, INC. TO BE DEFECTIVE UNDER THE TERMS AND CONDITIONS STATED HEREIN. IN NO EVENT WILL NAUTILUS, INC. BE LIABLE FOR ANY SPECIAL, CONSEQUENTIAL, INCIDENTAL, INDIRECT OR ECONOMIC DAMAGES, REGARDLESS OF THE THEORY OF LIABILITY (INCLUDING, WITHOUT LIMITATION, PRODUCT LIABILITY, NEGLIGENCE OR OTHER TORT) OR FOR ANY LOST REVENUE, PROFIT, DATA, PRIVACY OR FOR ANY PUNITIVE DAMAGES ARISING OUT OF OR RELATED TO THE USE OF THE FITNESS MACHINE EVEN IF NAUTILUS, INC. HAS BEEN ADVISED OF THE POSSIBILITY OF SUCH DAMAGES. THIS EXCLUSION AND LIMITATION SHALL APPLY EVEN IF ANY REMEDY FAILS OF ITS ESSENTIAL PURPOSE. SOME STATES DO NOT ALLOW THE EXCLUSION OR LIMITATION OF CONSEQUENTIAL OR INCIDENTAL TYPE DAMAGES SO THE ABOVE LIMITATION MAY NOT APPLY TO YOU.

State Laws

This warranty gives you specific legal rights. You may also have other rights, which vary from state to state.

Expirations

If the warranty has expired, Nautilus, Inc. may assist with replacements or repairs to parts and labor, but there will be a charge for these services. Contact a Nautilus office for information on post-warranty parts and services. Nautilus does not guarantee availability of spare parts after expiration of warranty period.

International Purchases

If you purchased your machine outside of the United States consult your local distributor or dealer for warranty coverage.



Nautilus, Inc., 5415 Centerpoint Parkway, Groveport, OH 43125 USA, www.NautilusInc.com - Customer Service: North America (800) 605-3369, csnls@nautilus.com | outside U.S. www.nautilusinternational.com | Printed in China | © 2018 Nautilus, Inc. | Bowflex, the Bowflex logo, Max Trainer, and JRNY are trademarks owned or licensed by Nautilus, Inc., registered or otherwise protected by common law in the U.S. and other countries. Google Play™ is a trademark of Google Inc. App Store is a service mark of Apple Inc. The Bluetooth® word mark and logos are registered trademarks owned by Bluetooth SIG, Inc., and any use of such marks by Nautilus, Inc. is under license.

ORIGINAL MANUAL - ENGLISH VERSION ONLY

