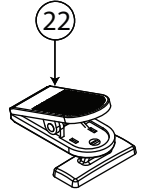
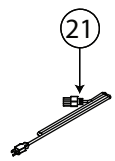
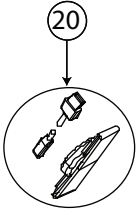
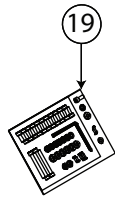
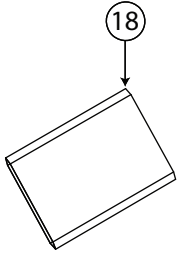
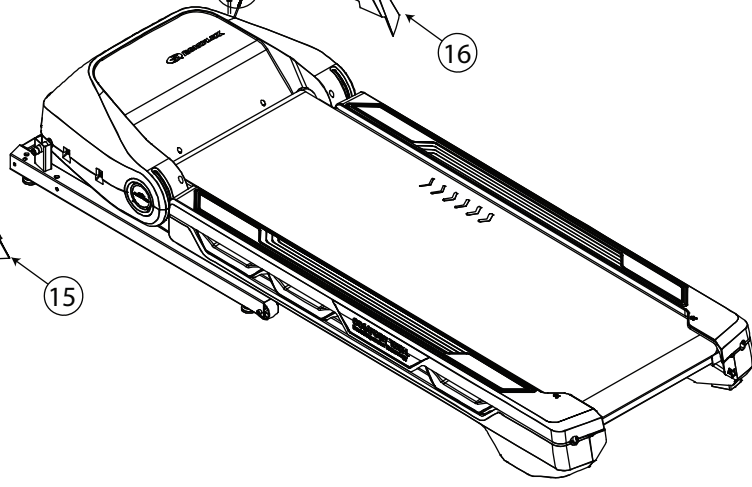
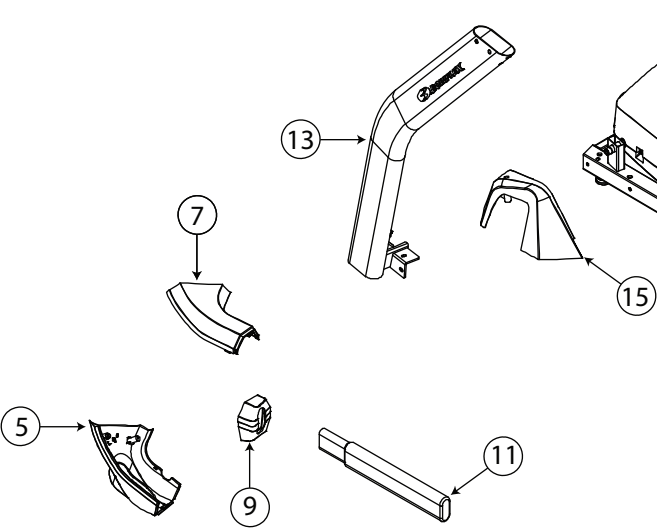
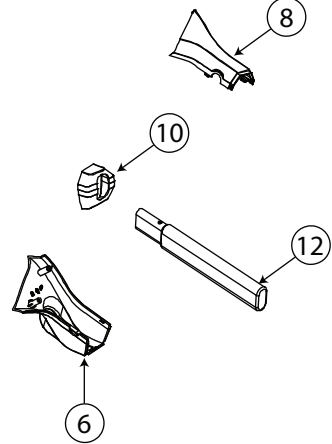
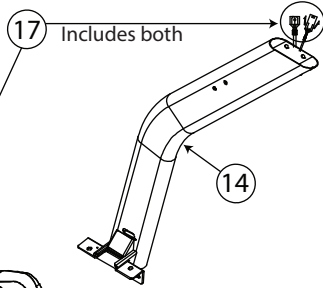
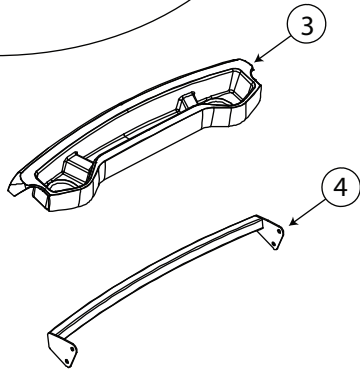
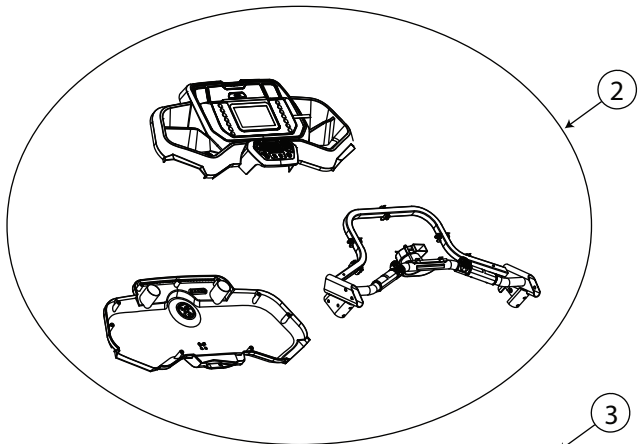
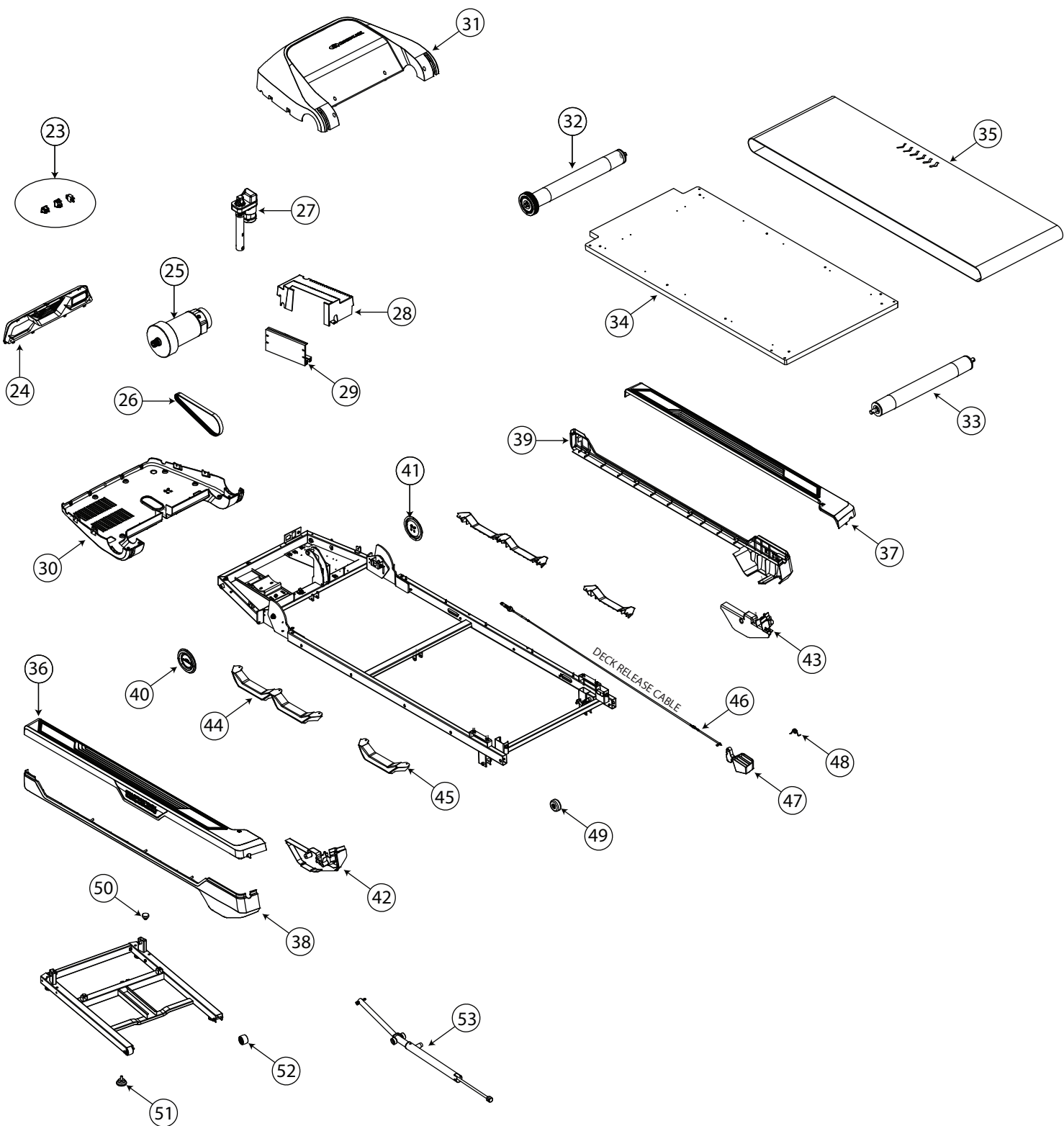
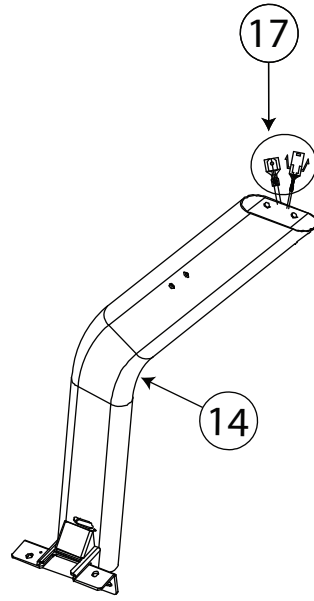
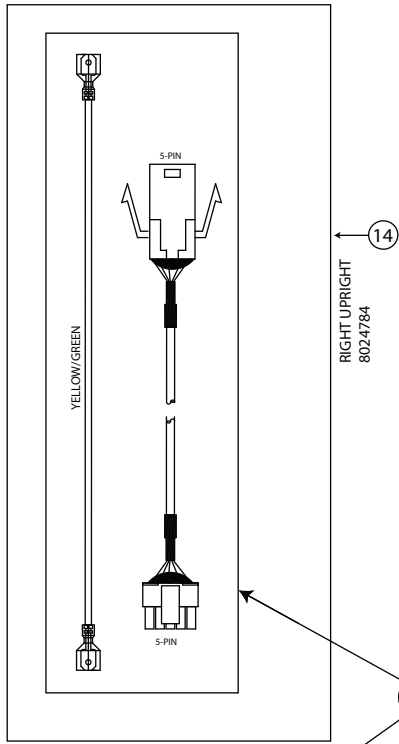
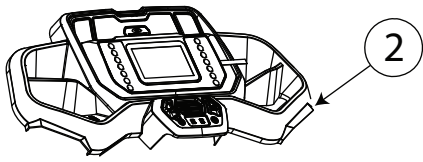


TITLE EXP VIEW DWG- BFX TREADMILL 7			
DRAWN R. Peterson	DOC. PART NO. 100907-W	PRODUCT SKU NO. 100907	REV. E
DATE 11/18/2022			







17
Includes both

