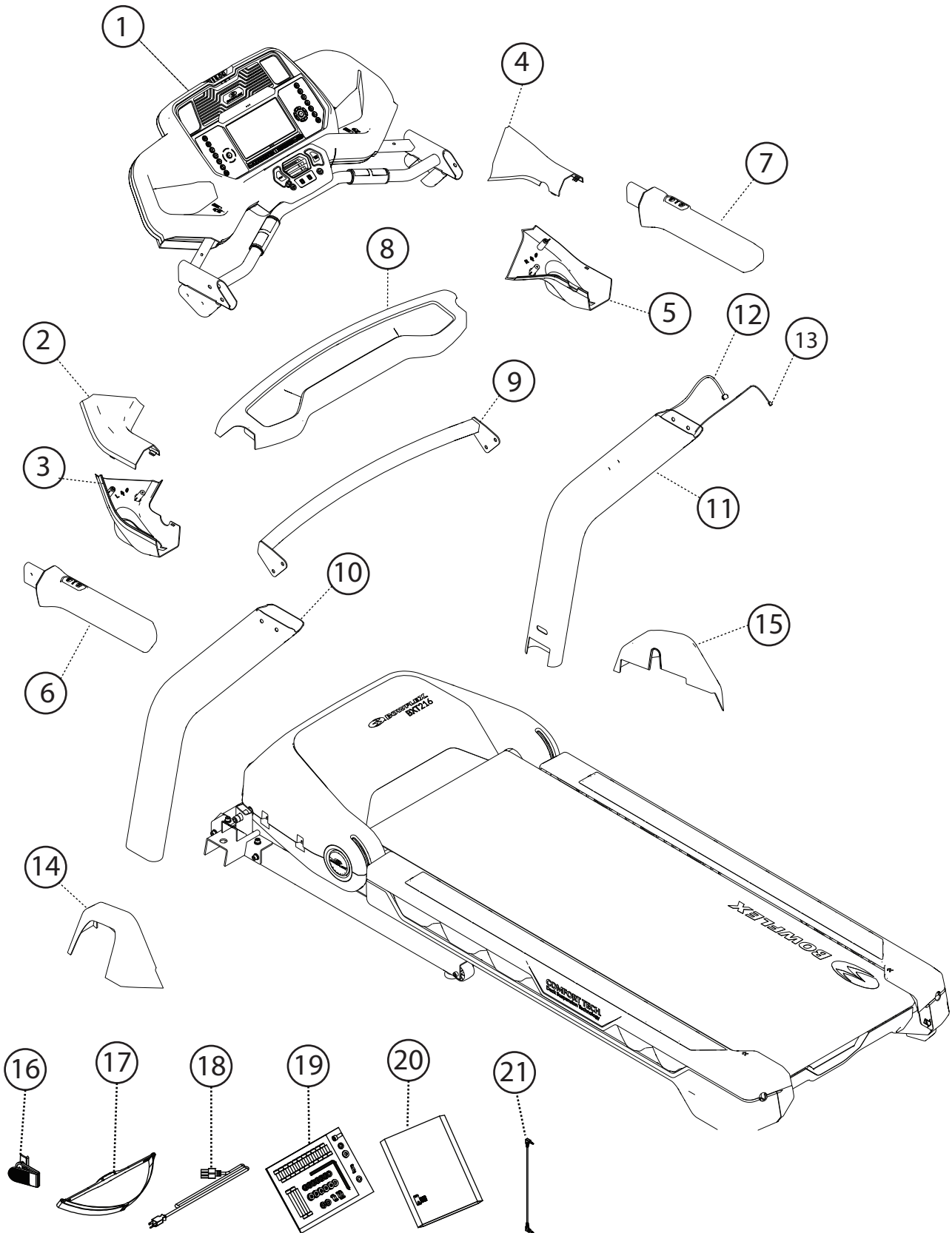
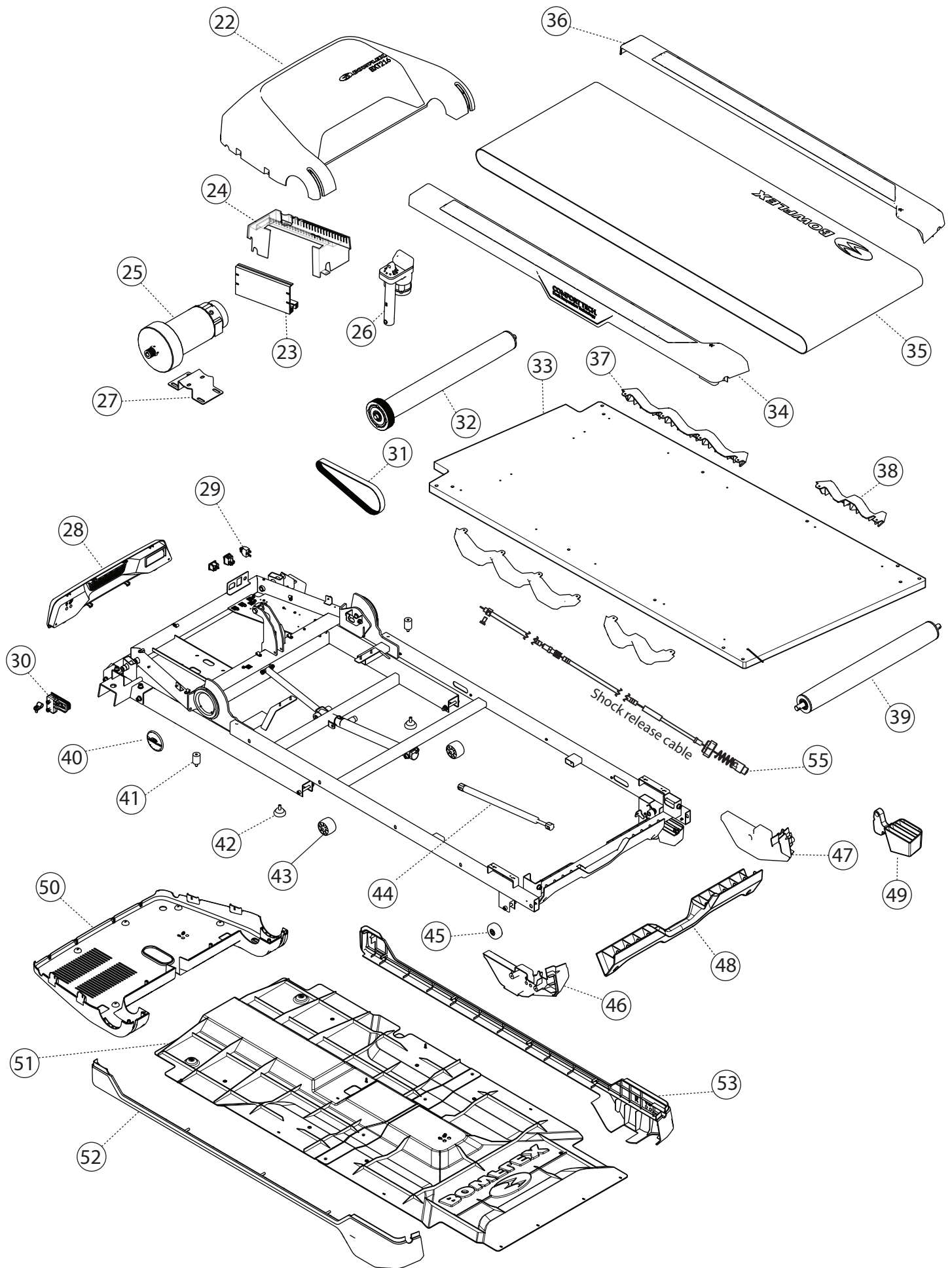


TITLE: EXP VIEW DWG- BOWFLEX BXT216			
DRAWN: R. PETERSON	DOC. PART NO. 100507-W	PRODUCT SKU NO. 100507	REV. F
DATE 11/17/2022			





To main I/O Cable/left upright

