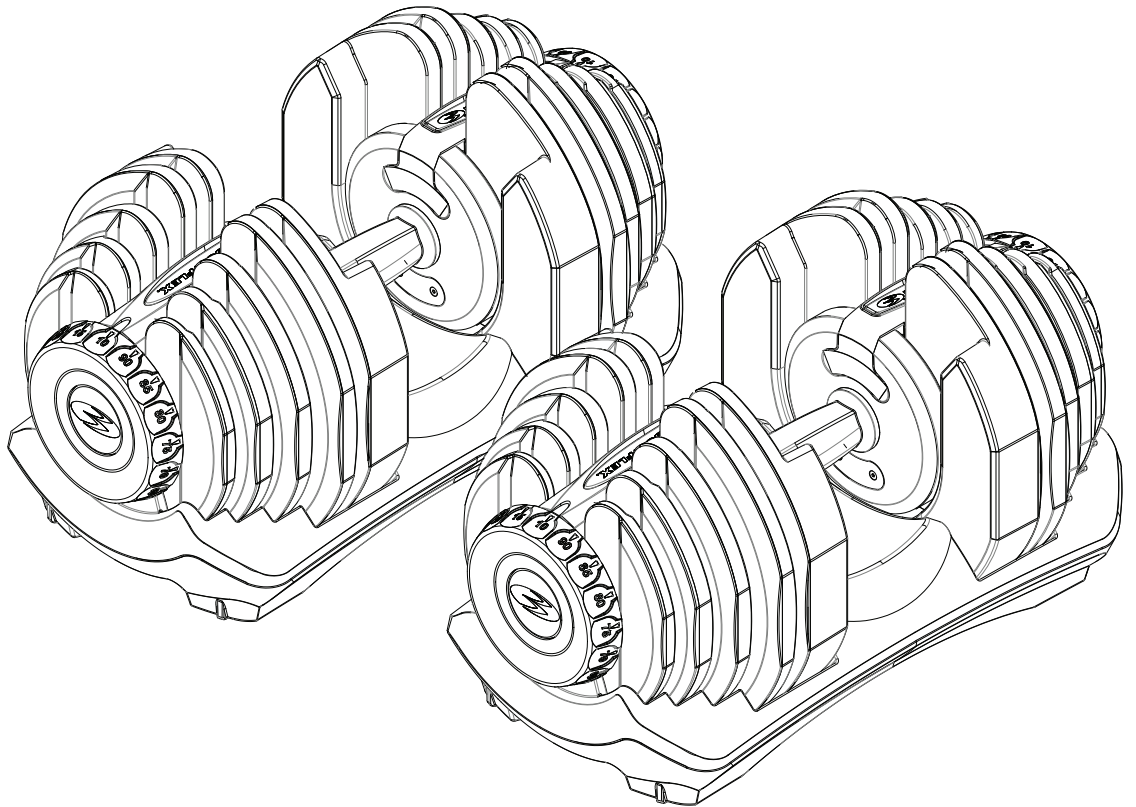




**BOWFLEX**

**SelectTech**

**SelectTech® BD1090 Dumbbells  
Owner's Manual and Workout Guide**



# Introduction

Congratulations on the your purchase of the Bowflex® SelectTech® Dumbbell set. This innovative dumbbell is a versatile training tool that will help you reach your fitness goal. This product has been carefully engineered and manufactured to provide a wide array of weight options starting at 10 lbs (4.5 kg) and going all the way up to 90 lbs (40.8 kg). In order to utilize this product to its fullest extent, it is critical that you read and fully understand this owner’s manual prior to using the SelectTech® dumbbell.

To validate warranty support, keep the original proof of purchase and record the following information:

Serial Number \_\_\_\_\_ Serial Number \_\_\_\_\_

Date of Purchase \_\_\_\_\_

To register your product warranty, go to: [www.bowflex.com/register](http://www.bowflex.com/register)  
or call 1 (800) 605-3369.

If you have questions or problems with your product, please call 1 (800) 605-3369  
Or go to: [www.bowflex.com](http://www.bowflex.com)

## Table of Contents

<b>Important Safety Instructions</b> .....	<b>3</b>	<b>Arm Exercises</b> .....	<b>21</b>
Safety Warning Labels and Serial Number .....	3	Standing curls .....	21
<b>Product Specifications</b> .....	<b>4</b>	Concentration curls .....	21
<b>SelectTech® Operation</b> .....	<b>5</b>	Incline bench curls .....	22
Getting to know your Bowflex®		Scott curls - standing concentration curls .....	22
SelectTech® Dumbbells .....	5	Overhead triceps extension .....	23
Understanding and testing locking		Triceps kickback .....	23
mechanism function.....	6	Lying triceps extension .....	24
Testing proper locking mechanism		Hammer curls .....	24
function .....	6	<b>Back Exercises</b> .....	<b>25</b>
Maintenance.....	8	Single arm row - alternating rows .....	25
Dumbbell stand.....	8	Wide rows .....	25
Troubleshooting guide.....	9	Dead lifts .....	26
Locking Mechanism Test.....	10	<b>Abdominal Exercises</b> .....	<b>27</b>
<b>SelectTech® 6 week Challenge</b> .....	<b>11</b>	Ab crunch.....	27
<b>Leg Exercises</b> .....	<b>15</b>	Reverse crunch .....	27
Wide squats .....	15	Lying trunk rotation.....	28
Calf raises .....	15	Twisting side crunch .....	28
Stationary lunges .....	16	Lying leg raise .....	29
Stiff-leg dead lift.....	16	<b>Shoulder Exercises</b> .....	<b>30</b>
Reverse lunge.....	17	Standing shoulder press.....	30
<b>Chest Exercises</b> .....	<b>18</b>	Lateral raise .....	30
Flat chest press .....	18	Seated overhead press.....	31
Incline chest press .....	18	Front raise .....	31
Flat chest fly.....	19	Rear delt row .....	32
Incline chest fly .....	19	Shrugs.....	32
Decline chest fly .....	20	<b>Muscle Chart</b> .....	<b>33</b>

Nautilus, Inc., 5415 Centerpoint Parkway, Groveport, OH 43125 USA, [www.NautilusInc.com](http://www.NautilusInc.com) - Customer Service: North America (800) 605-3369, [csnls@nautilus.com](mailto:csnls@nautilus.com) | Nautilus (Shanghai) Fitness Equipments Co, Ltd, Room 1701 & 1702, 1018 Changning Road, Changning District, Shanghai, China 200042, [www.nautilus.cn](http://www.nautilus.cn) - 86 21 6115 9668 | outside U.S. [www.nautilusinternational.com](http://www.nautilusinternational.com) | Printed in China | © 2006 Nautilus, Inc. | Bowflex, the B logo, Nautilus, the Nautilus logo, Schwinn, SelectTech, and JRNY are trademarks owned or licensed by Nautilus, Inc., registered or otherwise protected by common law in the U.S. and other countries.

ORIGINAL MANUAL - ENGLISH VERSION ONLY

# Important Safety Instructions

**!** This icon means a potentially hazardous situation which, if not avoided, could result in death or serious injury.

**Before using this equipment, obey the following warnings:**

**!** Read and understand the complete Owner's Manual. Keep Owner's Manual for future reference.

**!** Read and understand all Warnings on this machine. If at any time the Warning stickers become loose, unreadable or dislodged, contact Nautilus Customer Service for replacement stickers.

- Children must not be let on or near to this machine. Moving parts and other features of the machine can be dangerous to children.
- Not intended for use by anyone under 14 years of age. Individuals between 14 and 17 years of age must be supervised when using this machine.
- Consult a physician before starting an exercise program. Stop exercising if you feel pain or tightness in your chest, become short of breath, or feel faint. Contact your doctor before using the machine again.
- This machine is for home use only.
- Periodically inspect and test the locking mechanism for correct function. Follow the test procedures included in this manual.
- Do not operate this machine outdoors or in moist or wet locations.
- Before you start your workout, make sure that your surroundings are free from possible interference and third parties. Your workout free space should be 0.6 m (24") more than the maximum reach of the exercise in all directions.
- Do not over exert yourself during exercise. Operate the machine in the manner described in this manual.
- Do not try to force the Adjustment Knob to turn when the Dumbbell has been removed from the Dumbbell base.
- Do not let the Dumbbells fall freely to the ground. Damage to the product and possible personal injury can occur.
- Do not let the Dumbbells forcefully hit together during operation. Damage to the product and possible personal injury can occur.
- Do not lean on the Dumbbell handles or use them to support your body weight, such as using them as a base to perform a push up. Damage to the product and possible personal injury can occur.
- Do not try to disassemble your Dumbbell handles, or base assembly. The product is not designed to be serviced by the customer. Contact Nautilus Customer Service for repair information.
- The Dumbbells are very heavy. If you are not using the optional Dumbbell Stand, put the Dumbbell assembly directly on the floor for best support.
- **SAVE THESE INSTRUCTIONS.**

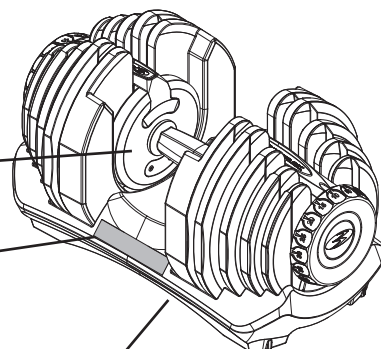
## Safety Warning Labels and Serial Number

Record serial number in the Serial Number field at the beginning of this manual.

**Note:** Each dumbbell base has a unique serial number.



**Do not drop**



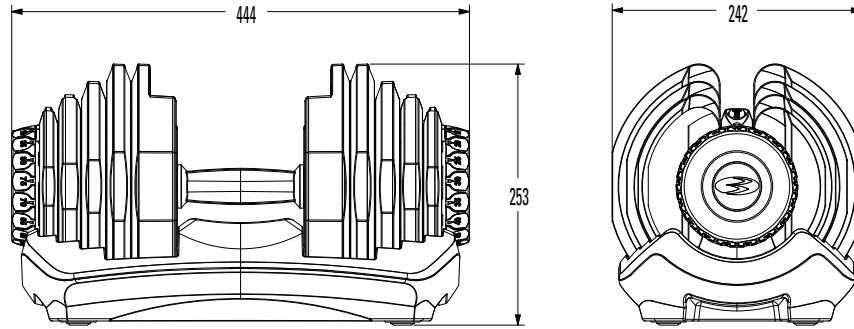
**Serial number**

# Product Specifications and Features

DIMENSIONS: 17.5" L x 9.5" W x 10" H (44.4 cm x 24.2 cm x 25.3 cm)

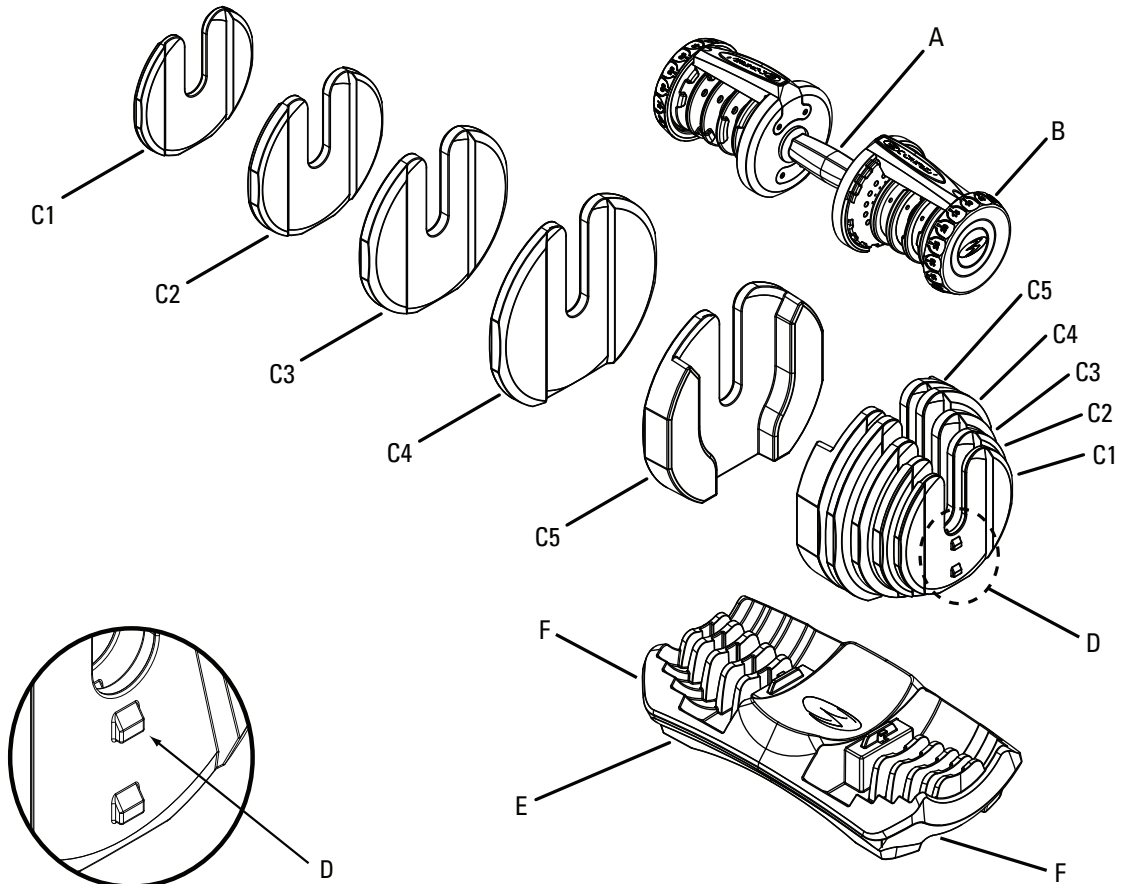
ASSEMBLED UNIT WEIGHT: 92.3 lbs (41.9 kg)

SHIPPING PACKAGE WEIGHT: 101.1 lbs (45.9 kg)



## Features

- A. Handle grip
- B. Adjustment knob
- C. Weight plates
  1. 2.5 lbs (1.1 kg)
  2. 5 lbs (2.3 kg)
  3. 7.5 lbs (3.4 kg)
  4. 10 lbs (4.5 kg)
  5. 15 lbs (6.8 kg)
- D. Weight locking tab
- E. Base
- F. Lifting handle



# Operation

## Getting to know your Bowflex® SelectTech® Dumbbells

The Bowflex® SelectTech® dumbbells are shipped fully assembled, one dumbbell to a box. After carefully removing the dumbbell from its box, there are some initial steps that should be taken to familiarize you with the function of the product, and to assure that all aspects of the dumbbell are performing according their specifications.

**⚠ Do not drop the dumbbell. Dropping the dumbbell will damage the weight plates and/or the locking mechanism, and can cause the weight plates to disengage (drop) from the handle without warning. This can cause serious injury, and will void the warranty.**

1. After removing the dumbbell from its protective packaging, inspect the products and packaging material for any damages.
2. Push down slightly on the handle assembly to make sure it is fully seated in the base. Rotate each adjustment knob several full rotations to make sure it turns freely in both directions. Make sure there is a click at each weight increment of the adjustment knob. This click will help you locate the proper alignment to select a given weight increment.
3. The weight increments range from 10 lbs to 90 lbs (4.5 to 41 kg) on both adjustment knobs. To properly select a given weight (20 lbs [9 kg] for example), rotate both adjustment knobs until that number (20) is aligned with the arrow located on the outward edge of the Bowflex® nameplate (Fig.1).
4. After confirming the proper rotational function of the adjustment knob, turn each adjustment so that the number 10 is aligned with the arrow in the Bowflex® nameplate.
5. With both adjustment knobs set to 10, pull the handle straight up from the dumbbell. This will remove only the handle from the base, and let all of the weight plates stay in the base (Fig. 2). The handle without plates gives the initial weight of 10 lbs (4.5 kg).
6. You may increase the selected weight by rotating each adjustment knob clockwise.
7. The dumbbell handle and weight plates are symmetrical. The handle is inserted with either end facing the user, provided that you have selected the same weight number on both ends of the dumbbell.

NOTICE: When you remove the dumbbell from the base or return it to the base, use a vertical motion, perpendicular to the base. Do not tilt the dumbbell or move it laterally (parallel to the base) until it is fully clear of the unselected weight plates.

**⚠ Do not lean on the dumbbell handles or use them to support your body weight , such as using them as a base to perform a push up. Doing so will damage the weight plates and/or the locking mechanisms, and can cause the weight plates to disengage (drop) from the handle without warning. This can cause serious injury, and will void the warranty.**

**⚠ Inspect the dumbbells prior to each use. Do not use a dumbbell with worn or damaged parts. Contact Nautilus® Customer Service for repair information.**

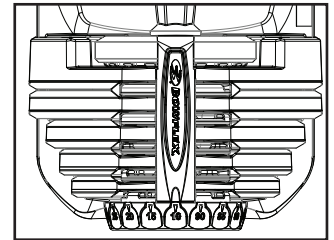


Figure 1

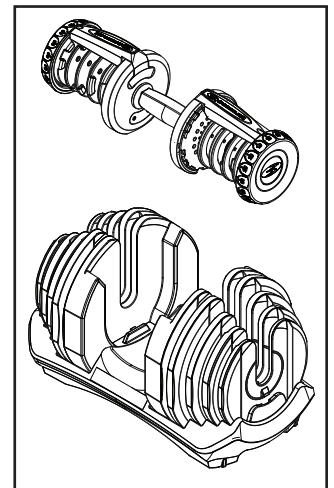


Figure 2

There are 17 weight increments:

10	15	20	25	30	35	40	45	50	55	60	65	70	75	80	85	90
4.5 kg	6.8 kg	9 kg	11.3 kg	13.6 kg	15.9 kg	18.1 kg	20.4 kg	22.7 kg	25 kg	27.2 kg	29.5 kg	31.8 kg	34 kg	36.3 kg	38.5 kg	40.8 kg

**Note:** Weight increments represent estimated values only. Exact values can vary due to manufacturing variances.

# Operation

## Understanding and testing the locking mechanism function

The Bowflex® SelectTech® Dumbbell features an exclusive locking mechanism designed to ensure proper and complete selection of the weight plates as well as to ensure weight plate retention during the workout.

**!** Fully understand the function of this mechanism and do tests of the mechanism regularly to make sure it operates correctly.

## Function

The locking mechanism provides two key functions:

1. The mechanism will only allow the adjustment knobs to be rotated when the dumbbell handle is completely inserted and engaging the dumbbell base.
2. The mechanism is designed to lock the dumbbell handle to the base if either adjustment knob is not fully engaging the selected weight plates.

## Purpose

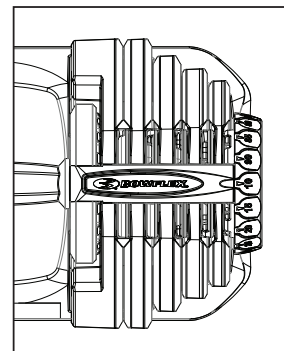
The locking mechanism serves two important purposes:

1. The mechanism will prevent deselecting (dropping) weight plates from the dumbbell when it is NOT in the dumbbell base.
2. The mechanism will prevent partial selection of the weight plates in which the plates are not fully supported and the locking pin is not fully engaged.

Given the importance of this locking mechanism, it is critical that you understand how it operates, and periodically test it to make sure it is functioning correctly.

## Testing proper locking mechanism function

1. With the dumbbell handle set in the dumbbell base, turn both adjustment knobs to the number 10. You will know you have fully and correctly selected the number when you feel the adjustment knob settle into a notch (known as a detent). You will also hear a slight, but audible, clicking noise that corresponds with the detent locations for each number.
2. You should be able to withdraw the handle from the base leaving all the weight plates behind.
3. With the handle removed from the base, grab one adjustment knob with your other hand and gently attempt to turn the knob, the knob should not rotate. A locking pin in the mechanism will have engaged the rotational assembly when the unit was withdrawn from the base. Perform this test with all adjustment knobs.



**!** Do not use too much force to try to turn the locked adjustment knob. Too much force can damage the locking mechanism.

4. After confirming the proper function of the locking mechanism as described above, return and fully insert the dumbbell handle back into the base assembly.
5. With the handle back in the base, turn the adjustment knob on one side to a position that is between the numbers 10 and 15. This represents an incomplete weight selection where the adjustment knob has not fully selected a weight and the knob is in-between the selection detents (clicks).
6. With the selection knob in this improper position, gently attempt to lift up on the handle to remove it from the base. You should find that the handle is locked to the base and cannot be removed with light pressure, as it can normally.
7. Return the improperly selected adjustment knob to a full and proper weight selection and assure that the dumbbell handle can once again be removed.
8. Repeat this test for all adjustment knobs.

# Operation

---

9. Assure the entire dumbbell handle assembly is properly tightened. Do this by setting the adjustment knobs to 10 pounds and removing the handle assembly from the base. Grab both adjustment knobs and very slightly push and pull the knobs toward and away from the handle grip. The knobs should not exhibit free play and all of the selection discs should feel tightly connected.
10. You have now tested the function of the locking mechanism. We suggest you repeat this test monthly to make sure that the locking mechanism operates correctly.



**Do not engage the locking mechanism and use the handle to try to lift the dumbbell and base together. To lift the dumbbell and base together, engage the locking mechanism and use the lift handles molded into the base assembly.**

If the dumbbell locking mechanism operates unsatisfactorily in the test procedure above, do the following:

1. Stop use of the product immediately until approved service is available.
2. Contact your Bowflex® retailer or contact Nautilus, Inc. directly by phone at 1-800-NAUTILUS (628-8458) for service.

# Maintenance

## Bowflex® SelectTech® Dumbbell maintenance

**!** Equipment must be regularly examined for damage and repairs. The owner is responsible to make sure that regular maintenance is done. Worn or damaged components must be replaced immediately or the equipment removed from service until the repair is made. Only manufacturer supplied components can be used to maintain and repair the equipment.

The Bowflex® SelectTech® Dumbbell is a very low maintenance product. However, there are steps that you should take to keep the product performing and looking its very best.

1. Should your SelectTech® Dumbbell handle assembly, plates or base become soiled you may clean them with a cloth lightly dampened with warm water and a small amount of mild soap. Wipe dry with a separate cloth.
2. The SelectTech® Dumbbell is internally lubricated and will not require further internal lubrication. The contact between weight plates and selection discs is not lubricated but has naturally low friction. This generally will not require any lubrication. Should you feel it necessary to lubricate the weight plates and/or selection discs, use only a silicon lubricant, preferably “food grade”.

**!** Do not use any solvents, harsh detergents, chemicals or bleach on this product – doing so may damage the materials, resulting in degradation of the product’s performance or strength.

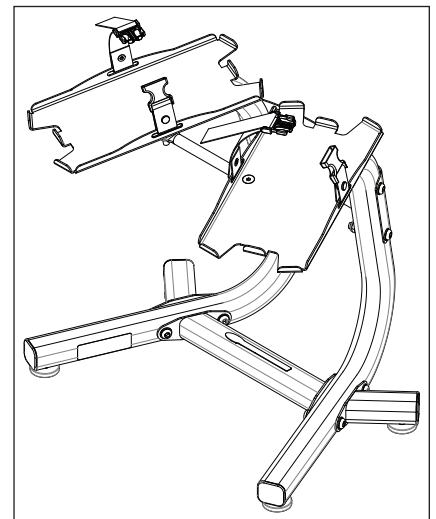
**Do not attempt to disassemble the dumbbell handle or base assembly. These items are not designed to be user serviced. Doing so will void the manufacturers warranty. Contact Nautilus, Inc. directly for service.**

## Optional Accessories

### Bowflex® SelectTech® Stand (optional)

This attractive stand features an ergonomic design to enhance the functionality of the SelectTech® Dumbbell.

- The V-shape “step-in” design allows the user to maintain proper upper body position while lifting or returning the dumbbells to the base.
- The dumbbell handles are positioned in a natural orientation providing a comfortable and secure lifting position.
- Large adjustable stabilizer feet assure maximum stability.
- Includes two fastening straps to secure dumbbells to the base.
- Integrated towel rack.
- Dimensions (without dumbbells): 26.2” L x 19.9” W x 22.8” H (66.5 cm x 50.6 cm x 57.9 H cm)



Optional exercise bench and mat are available separately.

**Additional products are available from Nautilus, Inc. at [www.nautilusinc.com](http://www.nautilusinc.com)**



# Troubleshooting

Problem	Solution
Dumbbell handle does not fully insert into base when no plates are selected (handle has no plates attached).	<ol style="list-style-type: none"><li>1. Make certain that both adjustment knobs are set directly to the number 10.</li></ol>
Dumbbell handle does not fully insert into base when plates are selected (handle has plates attached).	<ol style="list-style-type: none"><li>1. Check to see if you have selected different weights on each side of the dumbbell (for example one adjustment knob is set to 10 and the other is set to 15). If this is the case, you must replace the dumbbell in the base with the same orientation from which was withdrawn. This is to allow the plates to settle back into the correct and vacant openings in the base.</li><li>2. Verify that the plates not selected (those plates remaining in the dumbbell base) are in their correct spots and have not been moved to a different support slot. This may be blocking the dumbbell from fitting back into the base.</li></ol>
Adjustment knob will not turn while handle is in base.	<ol style="list-style-type: none"><li>1. Check to assure that the dumbbell handle is fully depressed into the dumbbell base. If not fully depressed, the locking mechanism will not be released and may be keeping the adjustment knobs from rotating.</li><li>2. Check to see if any weight plates have been forced into the base assembly backwards with the "support tongue" facing the grip of the dumbbell handle. All weight plates must have the locking tab facing away from the grip of the dumbbell handle.</li><li>3. Check to see if there is any dirt, debris or other obstruction in the dumbbell base. You may need to remove the weight plates from the base to accomplish this check. Remember to put each weight plate back in its appropriate location.</li></ol>

# Troubleshooting

## SelectTech® Dumbbell locking mechanism test

After replacing any part of your Bowflex® SelectTech® Dumbbell, be sure to perform the following procedures before using your Dumbbell for any exercises:

**!** This is a functional test of the weight plate locking mechanism.

1. With the dumbbell handle set in the dumbbell base, turn both adjustment knobs to the lowest number (Figure 1). You will know you have fully and correctly selected the number when you feel the adjustment knob settle into a notch (known as a detent). You will also hear a slight, but audible, clicking noise that corresponds with the detent locations for each number.
2. You should be able to withdraw the handle from the base leaving all the weight plates behind (Figure 2).
3. With the handle removed from the base, grab one adjustment knob with your other hand and firmly attempt to turn the knob; the knob should not rotate.
4. Place the dumbbell back into the base, and turn the adjustment knob to the next lowest weight setting. Lift the dumbbell from the base approximately 1 inch (2.5 cm).
5. With the handle still above the base, grab one adjustment knob with your other hand and firmly attempt to turn the knob; the knob should not rotate. A locking pin in the mechanism will have engaged the rotational assembly when the unit was withdrawn from the base. Perform this test with all adjustment knobs.
6. Repeat this test for all weight settings on your dumbbells.

**!** If any of the knobs rotate outside of the cradle, do not use the dumbbell, and contact Nautilus Customer Service.

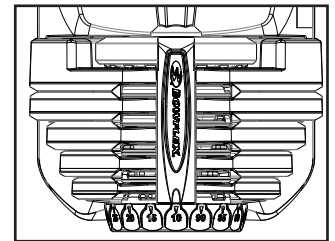


Figure 1

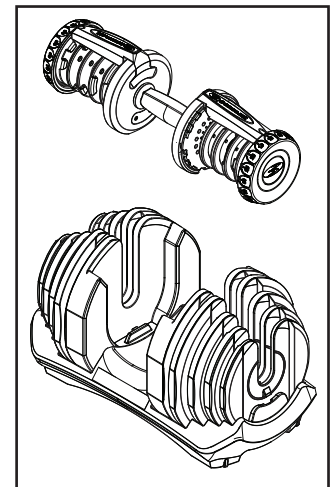


Figure 2

# SelectTech® 6 Week Challenge

FREQUENCY: 3 Days a Week

TIME: About 30 minutes

For a successful workout, focus on generating the muscular contraction required to create the motion of the weight (demonstrated in your "The Secrets of the 4-Step Rep" DVD) not just lifting the weight.

# of Reps: 8-12 (30 to 40 second intervals between sets)

Workout 1	Set #1		Set #2		Set #3	
	Weight	Reps	Weight	Reps	Weight	Reps
Flat Chest Press						
Overhead Press						
Lying Triceps Extension						
Overhead Triceps Extension						
Single Arm Row						
Standing Curl						
Concentration Curls						
Workout 2	Set #1		Set #2		Set #3	
	Weight	Reps	Weight	Reps	Weight	Reps
Stationary Lunge						
Stiff-Leg Dead Lift						
Calf Raise						
Ab Crunch						
Lying Trunk Rotation						
Workout 3	Set #1		Set #2		Set #3	
	Weight	Reps	Weight	Reps	Weight	Reps
Flat Chest Press Alternating						
Overhead Press Alternating						
Lying Triceps Extension						
Overhead Triceps Extension						
Single Arm Row						
Standing Curl Alternating						
Concentration Curls						
Workout 4	Set #1		Set #2		Set #3	
	Weight	Reps	Weight	Reps	Weight	Reps
Stationary Lunge						
Stiff-Leg Dead Lift						
Calf Raise Unilateral						
Reverse Crunch						
Lying Trunk Rotation						

<b>Workout 5</b>	<b>Set #1</b>		<b>Set #2</b>		<b>Set #3</b>	
	<b>Weight</b>	<b>Reps</b>	<b>Weight</b>	<b>Reps</b>	<b>Weight</b>	<b>Reps</b>
30d Incline Chest Press						
Lateral Raise						
Overhead Triceps Extension						
Triceps Kickback						
Wide Row						
60d Incline Curl						
Scott Curl						
<b>Workout 6</b>	<b>Set #1</b>		<b>Set #2</b>		<b>Set #3</b>	
	<b>Weight</b>	<b>Reps</b>	<b>Weight</b>	<b>Reps</b>	<b>Weight</b>	<b>Reps</b>
Wide Squat						
Calf Raise						
Ab Crunch						
Lying Trunk Rotation						
<b>Workout 7</b>	<b>Set #1</b>		<b>Set #2</b>		<b>Set #3</b>	
	<b>Weight</b>	<b>Reps</b>	<b>Weight</b>	<b>Reps</b>	<b>Weight</b>	<b>Reps</b>
30d Incline Chest Press						
Lateral Raise						
Overhead Triceps Extension						
Triceps Kickback						
Wide Row						
60d Incline Curl						
Scott Curl						
<b>Workout 8</b>	<b>Set #1</b>		<b>Set #2</b>		<b>Set #3</b>	
	<b>Weight</b>	<b>Reps</b>	<b>Weight</b>	<b>Reps</b>	<b>Weight</b>	<b>Reps</b>
Wide Squat						
Calf Raise						
Reverse Crunch						
Lying Trunk Rotation						
<b>Workout 9</b>	<b>Set #1</b>		<b>Set #2</b>		<b>Set #3</b>	
	<b>Weight</b>	<b>Reps</b>	<b>Weight</b>	<b>Reps</b>	<b>Weight</b>	<b>Reps</b>
Flat Chest Press						
60d Incline Press						
Overhead Triceps Extension						
60d Incline Triceps Extension						
Single Arm Row						
Standing Curl						
60d Incline Curl						

Workout 10	Set #1		Set #2		Set #3	
	Weight	Reps	Weight	Reps	Weight	Reps
Stiff-Leg Dead Lift						
Wide Squat						
Calf Raise						
Reverse Crunch						
Lying Trunk Rotation						
Workout 11	Set #1		Set #2		Set #3	
	Weight	Reps	Weight	Reps	Weight	Reps
Flat Chest Press						
60d Incline Press						
Lying Triceps Extension						
60d Incline Triceps Extension						
Single Arm Row						
Standing Curl						
60d Incline Curl						
Workout 12	Set #1		Set #2		Set #3	
	Weight	Reps	Weight	Reps	Weight	Reps
Stiff-Leg Dead Lift						
Wide Squat						
Calf Raise						
Reverse Crunch						
Lying Trunk Rotation						
Workout 13	Set #1		Set #2		Set #3	
	Weight	Reps	Weight	Reps	Weight	Reps
Flat Fly						
Flat Chest Press						
Seated Overhead Press Bilateral						
Lying Triceps Extension						
Overhead Triceps Extension						
Single Arm Row						
Wide Row						
Standing Curl						
Scott Curl						
Workout 14	Set #1		Set #2		Set #3	
	Weight	Reps	Weight	Reps	Weight	Reps
Wide Squat						
Reverse Lunge						
Calf Raise						
Reverse Crunch						
Lying Trunk Rotation						

Workout 15	Set #1		Set #2		Set #3	
	Weight	Reps	Weight	Reps	Weight	Reps
Flat Fly						
Flat Chest Press						
Seated Overhead Press						
Lying Triceps Extension						
Overhead Triceps Extension						
Single Arm Row						
Rear Delt Row						
Standing Curl						
Scott Curl						
Workout 16	Set #1		Set #2		Set #3	
	Weight	Reps	Weight	Reps	Weight	Reps
Wide Squat						
Reverse Lunge						
Calf Raise						
Reverse Crunch						
Lying Trunk Rotation						
Workout 17	Set #1		Set #2		Set #3	
	Weight	Reps	Weight	Reps	Weight	Reps
Flat Fly						
Flat Chest Press						
Lateral Raise						
Lying Triceps Extension						
Overhead Triceps Extension						
Single Arm Row						
Rear Delt Row						
Standing Curl						
Scott Curl						
Workout 18	Set #1		Set #2		Set #3	
	Weight	Reps	Weight	Reps	Weight	Reps
Stiff-Leg Dead Lift						
Wide Squat						
Calf Raise						
Ab Crunch						
Lying Trunk Rotation						

# Leg Exercises

## Wide Squats

### Muscles worked

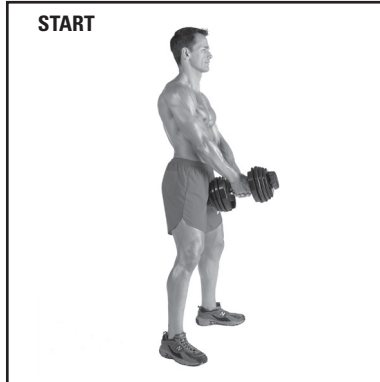
Quadriceps, glutes, hamstrings and adductors



### Success tips:

- Keep the knees pointed in the same direction as the toes.
- Keep the head and neck in line with the trunk.
- Pay close attention to all alignment and stabilization issues on every part of each and repetition.

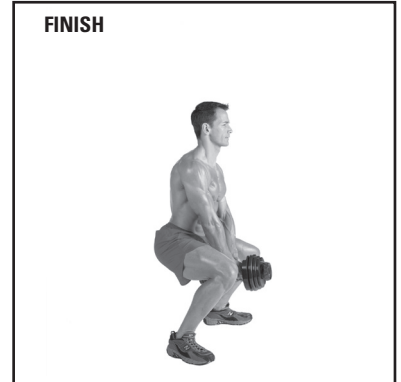
### START



### START

- Grab the dumbbell with both hands and stand with your feet slightly wider than shoulder width apart.
- Slightly rotate your hips outward, feet and knees should be lined up in that outward position as well.
- Stabilize your torso by lifting your chest, tightening your abs and maintaining a slight arch in your lower back.

### FINISH



### ACTION

- Under control, slowly squat down by sticking the hips back as the knees start to bend.
- Keep the chest up and the back flat as the hips continue to move backward.
- Lower to approximately 90 degrees at the knees, unless otherwise determined.
- Return to the starting position.
- Do not lockout the knees at the top of the squat.

## Calf Raises

### Muscles worked

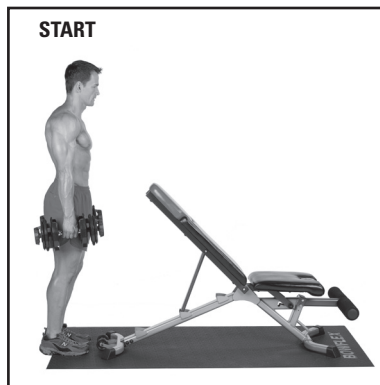
Gastrocnemius and soleus



### Success tips

- Do not change your hip or knee position during the exercise.
- Rise up as high as you can, maintaining your balance, on the balls of your feet.

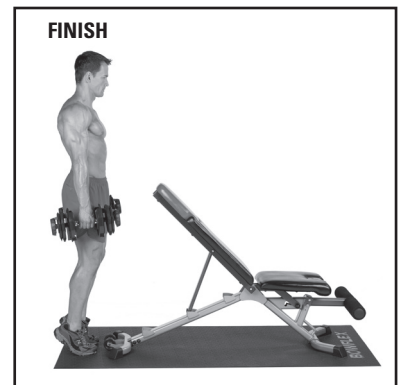
### START



### START

- Stand with your feet about shoulder width apart, feet facing straight forward.
- Hold the dumbbells at your sides with your palms facing in.
- Keep your chest lifted, abs tight and a slight curve in your lower back.

### FINISH



### ACTION

- Slowly rise up on the balls of your feet, lifting your heels as high as you can off the floor.
- Slowly return to the starting position, keeping tension on the calf muscles.

**Note:** Optional accessories shown in photos.

# Leg Exercises

## Stationary Lunges

### Muscles worked

Quadriceps, glutes, hamstrings and adductors



### Success tips

- Place feet in a position so that when you lunge down, your front foot is directly under your knee and your back leg lines up under your hip.
- Keep your head and chest lifted, with a slight arch in the lower back during the movement.
- Do only one side to fatigue, then switch to the other side.

### START



### START

- Stand with one foot forward and one foot backward in a position so when you move to the bottom of the lunge, your front foot is under your knee and your back knee is directly under you hip.
- Hold the dumbbells at your sides with your palms facing inward.
- Keep the chest lifted, abs tight and a slight arch in the lower back.

### FINISH



### ACTION

- Slowly lower your body bending at both knees, simultaneously keeping the front knee in line with the toes.
- Move down and stop just before the back knee is going to touch the floor.
- Reverse the motion and come back up to the starting position.

## Stiff-leg Dead Lift

### Muscles worked

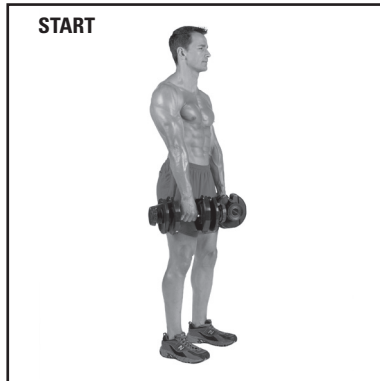
Hamstrings, glutes and spinal erectors



### Success tips

- Your torso should move from standing vertical to leaning forward at the hips without rounding your spine during any part of the movement.
- Keep the knees slightly bent.
- Only move as far as you can correctly.
- It is critical that you keep the chest lifted and do not allow your spine to round at any time during the movement.

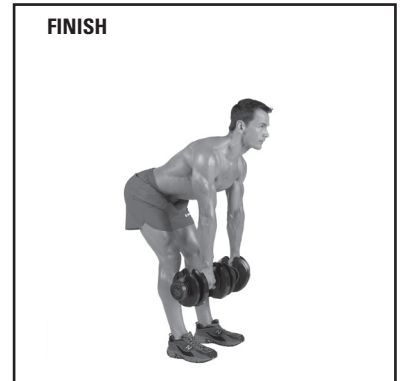
### START



### START

- Stand with your feet approximately shoulder width apart.
- Hold the dumbbells down in front of your thighs with your palms facing back.
- Stand with a very slight bend at the knees.
- Keep the chest lifted, abs tight and a very slight arch in your lower back.

### FINISH



### ACTION

- Maintaining your knee position, slowly bend forward at the hips moving your butt backward.
- Stop as your hamstrings begin to get taut and before your back begins to round.
- Concentrate on tensing your hamstrings to pull you back up to the starting position.



# Leg Exercises

## Reverse Lunge

### Muscles worked

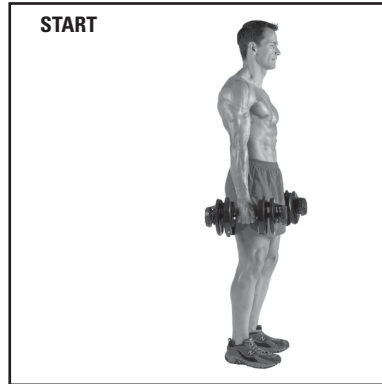
Quadriceps, glutes, hamstrings and adductors



### Success tips

- Place feet in a position so that when you lunge back, your front foot is directly under your knee and your back leg lines up under your hip.
- Keep your head and chest lifted, with a slight arch in the lower back during the movement.
- Do only one side to fatigue and then switch to the other side.

### START



### START

- Stand with your feet together.
- Hold the dumbbells at your sides with your palms facing inward.
- Keep the chest lifted, abs tight and a slight arch in the lower back.

### FINISH



### ACTION

- Initiate the movement by tightening your glutes and slowly pivoting your leg from your hip. Move your entire leg backward, keeping your knee steady at a 90 degree angle.
- Slowly move your leg as far as you can, without allowing any movement at the waist, knee or lower back.
- Slowly return to start position.

# Chest Exercises

## Flat Chest Press

### Muscles worked

Pectoralis major, deltoids and triceps

### Bench position

Flat

### Success tips

- Maintain a 60-90 degree angle between your upper arms and torso at the start of the motion, and a 90 degree angle from your torso at the top.
- Keep knees bent so your feet are positioned flat on the floor directly under your knees.
- Do not let your elbows travel behind your shoulders when you are lowering the dumbbells.
- Keep shoulder blades pinched together and maintain good spinal alignment.



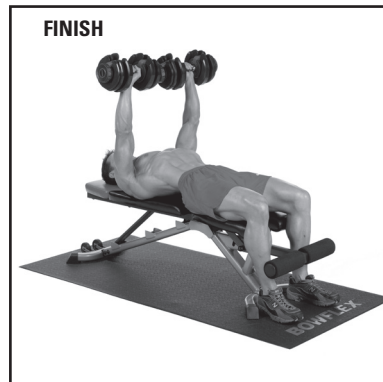
START



START

- Grab the dumbbells and lie back on the bench.
- Bend your elbows back keeping your arms at approximately 60-90 degrees away from your sides, and your elbows equal to your shoulder.
- Keep your arms directly in line with the dumbbell, over your wrists and elbows.
- Raise your chest, pinch your shoulder blades together and maintain a comfortable arch in your lower back.

FINISH



ACTION

- Slowly press the dumbbells upward, straightening your arms while moving the dumbbells toward each other, directly over the center of your chest.
- Don't lock out your elbows, keep the tension on the chest.
- Slowly return to the starting position, keeping your wrists steady and your movements slow and controlled.

## Incline Chest Press

### Muscles worked

Pectoralis major, deltoids and triceps

### Bench position

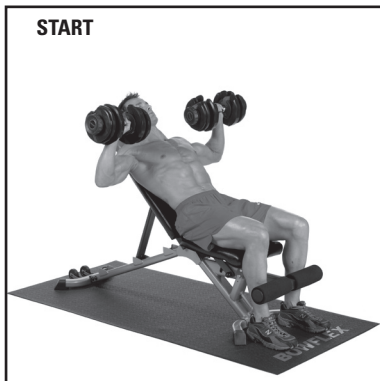
Inclined to 45 degrees

### Success tips

- Maintain a 60-90 degree angle between your upper arms and torso at the start of the motion and slightly more than 90 degrees from your torso at the top.
- Keep knees bent so your feet are positioned flat on the floor directly under your knees.
- Do not let your elbows travel behind your shoulders when you are lowering the dumbbells.
- Keep shoulder blades pinched together and maintain good spinal alignment.
- Keep your arms directly in line with the dumbbell over your wrists and elbows.



START



START

- Grab the dumbbells and lie back on the bench.
- Bend your elbows back, keeping your arms at approximately 60-90 degrees away from your sides, and your elbows equal to your shoulder.
- Raise your chest, pinch your shoulder blades together and maintain a comfortable arch in your lower back.

FINISH



ACTION

- Slowly press the dumbbells upward, straightening your arms while moving the dumbbells toward each other, directly over the center of your chest.
- Don't lock out your elbows, keep the tension on the chest.
- Slowly return to the starting position, keeping your wrists steady and your movements slow and controlled.

# Chest Exercises

## Flat Chest Fly

### Muscles worked

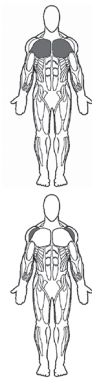
Pectoralis major and deltoids

### Bench position

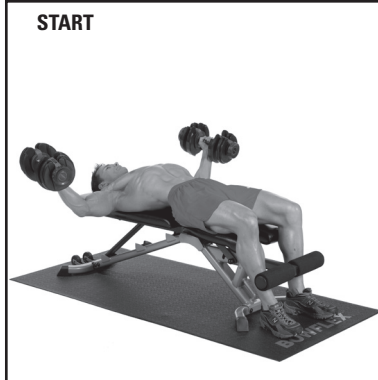
Flat

### Success tips

- Maintain a 60-90 degree angle between your upper arms and torso at the start of the motion, and slightly more than 90 degrees from your torso at the top.
- Keep knees bent so your feet are positioned flat on the floor directly under your knees.
- Do not let your elbows travel behind your shoulders when you are lowering the dumbbells.
- Keep shoulder blades pinched together and maintain good spinal alignment.



START



START

- Grab the dumbbells and lie back on the bench.
- Rotate your upper arms away from your torso so that your elbows and palms are pointing upward.
- Maintain a slight bend at the elbow and stabilize your wrist in a neutral position.
- Raise your chest, pinch your shoulder blades together and maintain a comfortable arch in your lower back.

FINISH



ACTION

- Slowly move the dumbbells forward, then upward, keeping your arms stable at the elbow, while moving the dumbbells toward each other directly over the center of your chest.
- Keep the tension on the chest throughout the movement.
- Slowly return to the starting position, keeping your wrists steady and your movement slow and controlled.

## Incline Chest Fly

### Muscles worked

Pectoralis major and deltoid

### Bench position

Inclined 45 degrees

### Success tips

- Maintain a 60-90 degree angle between your upper arms and torso at the start of the motion, and slightly more than 90 degrees from your torso at the top.
- Keep knees bent so your feet are positioned flat on the floor directly under your knees.
- Do not let your elbows travel behind your shoulders when you are lowering the dumbbells.
- Keep shoulder blades pinched together and maintain good spinal alignment.



START



START

- Grab the dumbbells and lie back on the bench.
- Rotate your upper arms away from your torso so that your elbows and palms are pointing upward.
- Maintain a slight bend at the elbow and stabilize your wrist in a neutral position.
- Raise your chest, pinch your shoulder blades together and maintain a comfortable arch in your lower back.

FINISH



ACTION

- Slowly move the dumbbells forward, then upward, keeping your arms stable at the elbow. Move the dumbbells toward each other directly over the center of your upper chest.
- Keep the tension on the chest throughout the movement.
- Slowly return to the starting position.

# Chest Exercises

## Decline Chest Press

### Muscles worked

Pectoralis major, deltoids and triceps

### Bench position

Declined

### Success tips

- Maintain a 60-90 degree angle between your upper arms and torso at the start of the motion, and 90 degree angle from your torso at the top.
- Keep knees bent so your feet are positioned flat on the floor directly under your knees.
- Do not let your elbows travel behind your shoulders when you are lowering the dumbbells.
- Keep shoulder blades pinched together and maintain good spinal alignment.
- Keep your arms directly in line with the dumbbell over your wrists and elbows.



### START



### START

- Grab the dumbbells and lie back on the bench.
- Bend your elbows back, keeping your arms at approximately 60-90 degrees away from your sides, and your elbows equal to your shoulder.
- Raise your chest, pinch your shoulder blades together and maintain a comfortable arch in your lower back.

### FINISH



### ACTION

- Slowly press the dumbbells upward, straightening your arms while moving the dumbbells toward each other, directly over the center of your chest.
- Don't lock out your elbows, keep the tension on the chest.
- Slowly return to the starting position, keeping your wrists steady and your movements slow and controlled.

# Arm Exercises

## Standing Curls

### Muscles worked

Biceps and other elbow flexors



### Success tips

- Keep elbows at your sides.
- Keep your wrists straight.
- Keep your trunk muscles tight and maintain a very slight arch in your lower back.

**START**



**START**

- Hold the dumbbells with your hands facing forward.
- Stand with your upper arms by your sides, lift your chest, tighten your abdominals and maintain a very slight arch in your lower back.

**FINISH**



**ACTION**

- Curl the dumbbells forward, then upward, and then toward your shoulders while keeping your elbows at your sides and your upper arms completely still.
- Slowly lower to the starting position by performing the same arcing motion.

## Concentration Curls

### Muscles worked

Biceps and other elbow flexors



### Bench position

Flat

### Success tips

- Do not rock the upper body while bending the elbow.
- Keep your wrist straight.
- Keep your chest lifted, trunk muscles tight and maintain a very slight arch in your lower back.

**START**



**START**

- Sit on the bench sideways and place your feet flat on the floor slightly wider than shoulder width.
- Grab the dumbbell and rest the back of your upper arm against the inside of your leg just above the knee.
- The arm holding the dumbbell should be slightly bent maintaining tension on the biceps.
- Maintain a good spinal alignment.

**FINISH**



**ACTION**

- Curl the forearm toward the upper arm, keeping your upper arm and shoulder blade completely still.
- Slowly return to the starting position without relaxing the biceps.

# Arm Exercises

## Incline Bench Curls

### Muscles worked

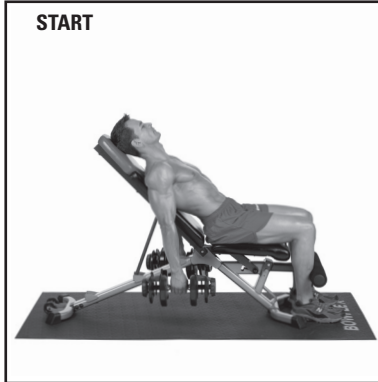
Biceps and other elbow flexors

### Bench position

Inclined to 45 degrees



START



START

- Grab the dumbbells and sit on the inclined bench and place your feet flat on the floor directly under your knees.
- Hold the dumbbell with a slight bend at the elbow maintaining tension on the biceps.
- Maintain a good spinal alignment with the chest lifted and the abs tight.

FINISH



ACTION

- Curl the forearms toward the upper arm, keeping your upper arm and shoulder blade completely still.
- Slowly return to the starting position without relaxing the biceps.

### Success tips

- Keep tension on the biceps throughout the movement, don't allow the arm to go to full extension.
- Keep your wrist straight.
- Keep your chest lifted, trunk muscles tight and maintain a very slight arch in your lower back.

## Scott Curls — Standing Concentration Curls

### Muscles worked

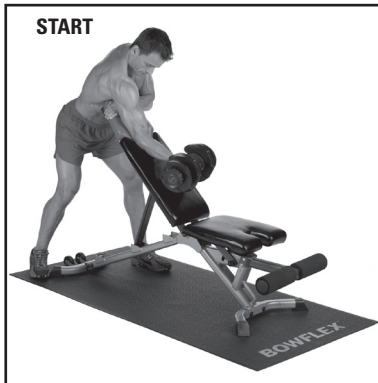
Biceps and other elbow flexors

### Bench position

Inclined to 60 degrees



START



START

- Grab the dumbbell and rest the back of your upper arm against the upper portion of the bench pad.
- The arm holding the dumbbell should be slightly bent maintaining tension on the biceps.
- Place the other arm between the bench and the upper arm.
- Maintain a good spinal alignment.

FINISH



ACTION

- Curl the forearm toward the upper arm, keeping your upper arm and shoulder blade completely still.
- Slowly return to the starting position without relaxing the biceps.

### Success tips

- Do not rock the upper body while bending the elbow.
- Keep your wrist straight.
- Keep your chest lifted, trunk muscles tight and maintain a very slight arch in your lower back.
- Stop the arm motion at the top of the movement slightly before your arm is straight up.
- Keep feet slightly wider than shoulder width.

# Arm Exercises

## Overhead Triceps Extension

### Muscles Worked

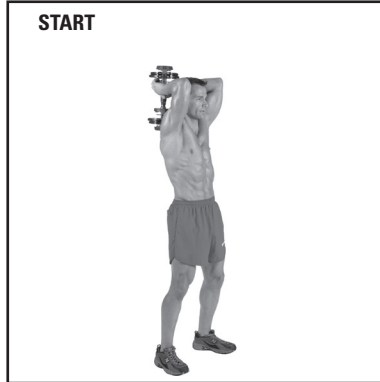
Triceps



### Success tips

- Keep your knees slightly bent with your feet approximately shoulder width apart.
- Keep your chest lifted, shoulders pinched together and a very slight arch in your lower back.
- Keep your upper arms and shoulders motionless and your wrists straight.
- Tighten your triceps throughout the exercise, using a controlled motion.

START



START

- Stand with your knees slightly bent and feet shoulder width apart.
- Place both hands over the inside edge of one side of the dumbbell weights.
- Bring the arms up over your head with an approximate 90° bend at the elbow.

FINISH



ACTION

- Keeping your upper arms stable, slowly straighten your elbows moving your arms in a arcing motion upward, over your head.
- Stop the motion before your arms are completely straight, and then reverse the motion, slowing returning to the starting position, keeping tension on the muscle.

## Triceps Kickback

### Muscles Worked

Triceps



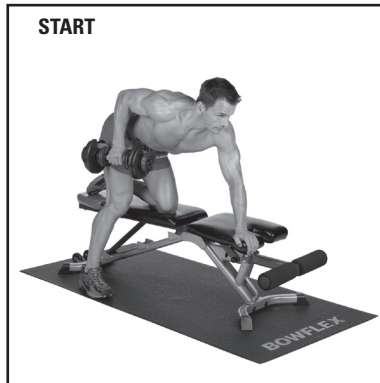
### Bench position

Flat

### Success tips

- Maintain spinal alignment.
- Keep your arm at your side and your wrist straight throughout the entire motion.
- Tighten your triceps throughout the exercise and control the motion.

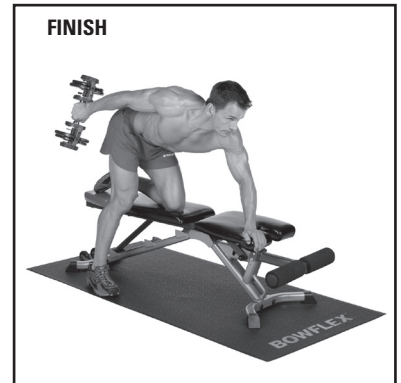
START



START

- Kneel with one leg on the bench, bend forward at the hips and place one hand on the bench.
- Support yourself with one arm on the bench and hold the dumbbell with the other with your palm facing in.
- Keeping your elbow bent, bring your upper arm to your side, parallel to the ground.

FINISH



ACTION

- Straighten the elbow while keeping your upper arm completely still.
- When the arm is completely straight, slowly return to the starting position.

# Arm Exercises

## Lying Triceps Extension

### Muscles worked

Triceps

### Bench position

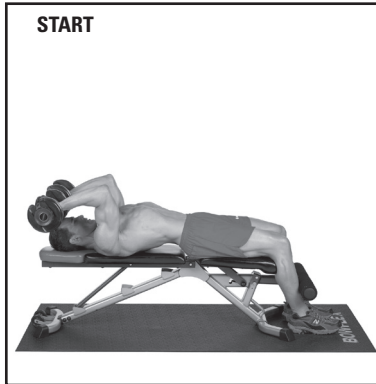
Flat



### Success tips

- Keep the upper arm motionless.
- Keep the wrists straight.
- Tighten your triceps throughout the exercise and control the motion all the way down.
- Keep the knees bent and the feet planted on the floor directly under your knees.

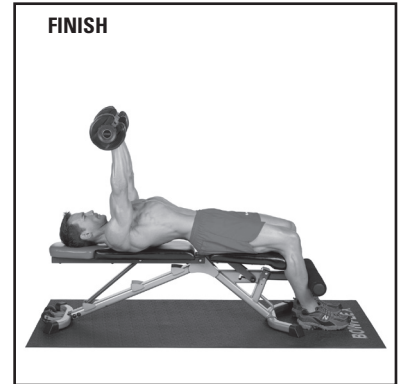
### START



### START

- Lie back on the bench with your head supported on the bench.
- Grab the dumbbells and move your upper arm up to a position that your elbow is facing upward and your hands holding the dumbbells are just over your forehead.
- Raise your chest and pinch your shoulder blades together.
- Maintain a very slight arch in the lower back.

### FINISH



### ACTION

- Keep the upper arms stationary while moving the hands in an arcing motion upward.
- Stop the motion slightly before locking out the elbows. Do not lock out the elbow!
- Slowly reverse the arcing motion back to the starting position.

## Hammer Curls

### Muscles worked

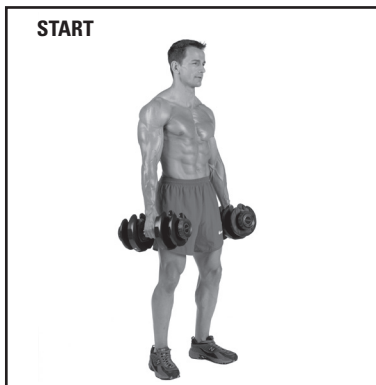
Biceps, brachioradialis and brachialis



### Success tips

- Keep the upper arms motionless and your wrists straight throughout the entire exercise.
- Keep the chest lifted, spine straight and a slight arch in the low back.

### START



### START

- Stand with your feet shoulder width apart and knees slightly bent.
- Grab the dumbbells with your palms facing inward toward each other.
- Stabilize the hips, knees and spine.

### FINISH



### ACTION

- Curl the dumbbells forward, then upward, then in toward the shoulder, keeping the upper arm completely motionless.
- Keep the palms facing in without rotating the lower arm.
- Slowly move back to the starting position.



# Back Exercises

## Single Arm Row — Alternating Rows

### Muscles Worked

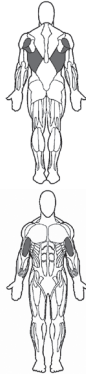
Latissimus Dorsi, teres minor, posterior deltoid and biceps

### Bench position

Flat

### Success tips

- Stabilize your body in position so the effort is focused on your lat as you lead the movement with extending your elbow upward.
- Keep the dumbbell lined up directly under your wrist and elbow when doing the movement.
- Keep your spine aligned, abs tight and a slight arch in your lower back.
- Do not let your spine rotate side to side, keep the shoulder at equal height during the movement.



START



FINISH



### START

- Put one knee on the bench and place the other foot on the floor directly under your hip.
- Place free hand on the bench slightly in front of you in a position that allows you to stabilize your upper body.
- Allow the arm with the dumbbell to hang straight down, while maintaining control of your back and shoulder.
- Hold dumbbell in a neutral grip with your palm facing the bench.

### ACTION

- Initiate the movement by pinching your shoulder blades back, while simultaneously moving your elbow backward, then upward.
- Continue moving the elbow up, slightly above the height of your trunk while keeping the forearm lined up under the elbow.
- While controlling the resistance, lower the arm back to the starting position letting the shoulder blade slide forward without slouching.

## Wide Rows

### Muscles worked

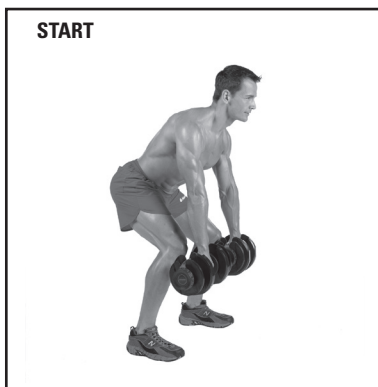
Rear deltoid, rear portion of the middle deltoid, posterior rotator cuff, upper lats and teres minor

### Success tips

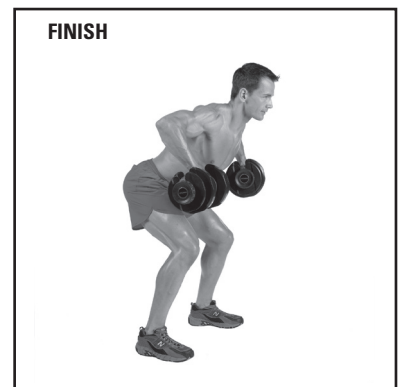
- Place the feet in a comfortable shoulder width position.
- Keep the chest lifted, abs tight and a very slight arch in the lower back.
- Lean forward slightly at the hip while keeping the upper body in alignment.
- Your forearms should always point in the direction of the dumbbells.



START



FINISH



### START

- While standing holding the dumbbells, lean forward at the hip allowing the arms to extend directly in line with the resistance.
- Keep your spine in a stable position.
- Rotate the shoulder so that your palms are facing behind you.

### ACTION

- Allow your arms to bend as you go, move your elbows outward and backward keeping a 70-90 degree angle between your upper arms and your torso.
- Move until your elbows are slightly behind your shoulders, then slowly reverse the action keeping the rear shoulder muscles tightened during the entire motion.

# Back Exercises

## Dead Lifts

### Muscles worked

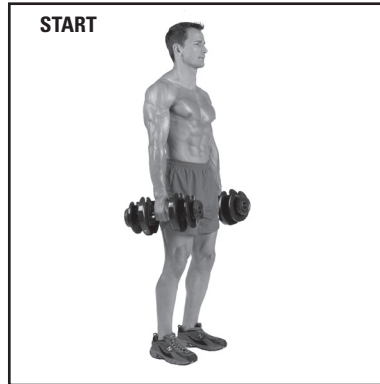
Glutes, adductors, hamstrings, quads, spinal erectors and traps



### Success tips

- Keep knees pointed in the same direction as the feet.
- Keep head and neck in line with the trunk.
- Pay close attention to all the alignment and stabilization issues on every part of each repetition.
- Keep pressure through the middle of the arches/feet, not the toes or heels.

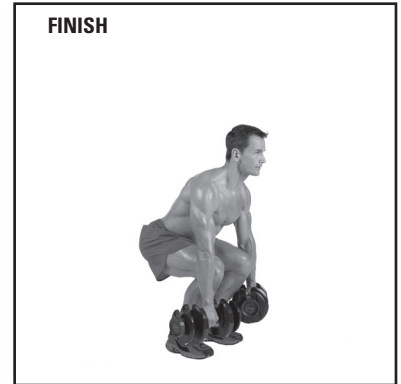
### START



### START

- Position your feet in line with the dumbbell about shoulder width apart.
- Point your toes outward slightly and direct the thighs to the same outward angle as the feet.
- Hold the dumbbells with your palms facing backward.

### FINISH



### ACTION

- Under control, slowly squat down by sticking the hips out as the knees start to bend.
- Keep the chest lifted and back flat as the hips continue to move backward.
- Lower to approximately a 90° bend at the knees, unless otherwise determined.
- Move back to the starting position, keeping the chest lifted while moving the hips forward and extending the knee.

# Abdominal Exercises

## Ab Crunch

### Muscles worked

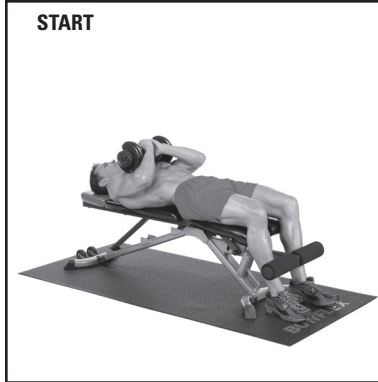
Rectus abdominus and obliques

### Bench position

Flat



START



FINISH



### Success tips

- Do not lift your head or chin. Your head should follow the rib motion, rather than lead it.
- Maintain normal neck posture.
- Move slowly to eliminate momentum.
- Allow exhalation up and inhalation down, without exaggerating breathing.

### START

- Grab a dumbbell with both hands, as shown.
- Lie flat on the bench holding the dumbbell over your upper chest.
- Place your legs behind the roller pads, as shown, for added support, with your feet flat on the floor.
- Your lower back can start out flat or in a normal arch.

### ACTION

- Tighten your abs and only curl your torso, slowly moving your lower ribs toward your hips.
- Move as far as you can without moving the hips and neck.
- The lower back should not lose contact with the bench when fully crunched.
- Slowly reverse the action, returning to the start position keeping tension on the abs throughout the movement.

## Reverse Crunch

### Muscles worked

Abdominal area, including the rectus abdominus and the obliques

### Bench position

Flat



START



FINISH



### Success tips

- Tighten your abs before you move.
- Keep knees and hips stationary.
- Allow exhalation up and inhalation down, without exaggerating breathing.
- Contract as far into the movements as possible.
- Lower under control.
- The amount of bend in your hips based upon desired difficulty.
- Beginners should be fully bent, bringing your legs near the abs.

### START

- Lie on your back with your head resting on the bench.
- Bend your knees fully.
- Determine these positions and maintain throughout the exercise.
- Reach over the head and grasp the bench with each hand.
- Relax the neck.

### ACTION

- Tighten your abs and slowly curl your hips toward your rib cage.
- Move as far as you can without using your legs to get momentum, and do not curl up onto your shoulder blades.
- Slowly reverse the action and return to the starting position without relaxing.

# Abdominal Exercises

## Lying Trunk Rotation

### Muscles worked

Deep spinal and trunk muscles

### Bench position

Flat



### Success tips

- This is an important exercise but can become high risk if done incorrectly.
- Keep the chest lifted and always maintain a good spinal alignment with a very slight arch in the lower back.
- More range of motion is not necessarily better, especially in this exercise.
- Move only as far as your muscles can take you. Try to eliminate uncontrolled momentum.

START



START

- Lie flat on the bench.
- Bend your hips and knees to approximately 90 degrees.
- Keep your chest lifted, abs tight and a slight arch in your low back.
- Hold onto the sides of the bench.

FINISH



ACTION

- Tighten the entire abdominal area and slowly rotate your legs and hips to one side.
- Move slow and controlled, being careful not to let your legs and hips rotate uncontrolled to the side.
- Move back to the starting position.
- Work one side to fatigue and then do the opposite side.

## Twisting Side Crunch

### Muscles worked

Obliques and rectus abdominus

### Bench position

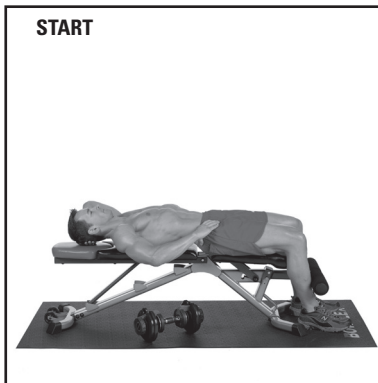
Flat



### Success tips

- Allow exhalation up and inhalation down.
- Your head should follow the motion of the rib cage. Maintain normal neck posture.
- Move slowly to eliminate momentum.
- Move as far as you can without moving your hips or neck.

START



START

- Lie back flat on the bench and place one hand behind the head of the involved side.
- Place legs behind the roller pads for added support, as shown.
- Your back can start flat against the bench or in a normal arch.

FINISH



ACTION

- Tighten your abs and move in a diagonal direction, slowly moving your ribs to the opposite hip.
- The lower back should not lose contact with the bench when fully crunched.
- Slowly reverse the motion to the starting position without relaxing the abdominal muscles.

# Abdominal Exercises

## Lying Leg Raise

### Muscles worked

Abdominal area, including the rectus abdominus, obliques and quadriceps

### Bench position

Flat

### Success tips

- Tighten your abs before you move.
- Allow exhalation up and inhalation down, without exaggerating breathing.
- Contract as far into the movements as possible.
- Keep your back flat against the bench.



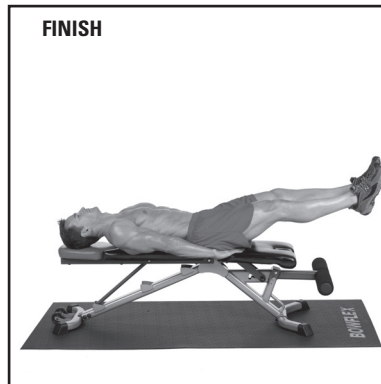
START



START

- Lie on your back with your head resting on the bench.
- Tighten your abs and flatten your back against the bench.
- Bend your knees and hips to 90 degrees.
- Reach to the side and grasp the bench with each hand.
- Relax the neck.

FINISH



ACTION

- Tighten your abs and slowly extend your hips and knees.
- Move your legs away from you keeping them parallel to the floor.
- Keep your back flat against the bench for the entire movement.
- Slowly reverse the action and return to the starting position without relaxing.

# Shoulder Exercises

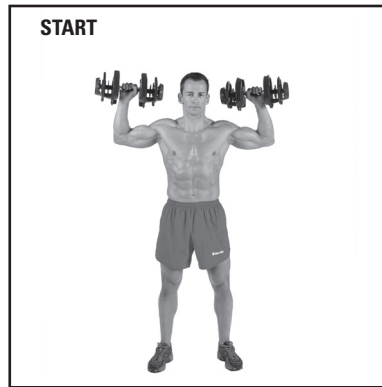
## Standing Shoulder Press

### Muscles worked

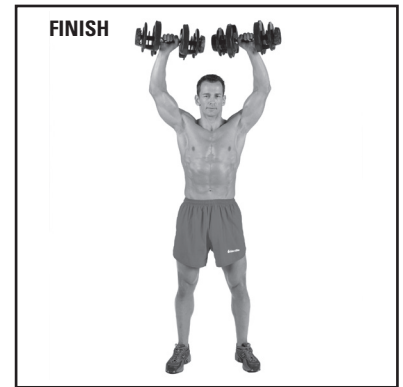
Front deltoid, upper traps and triceps

### Success tips

- Keep knees slightly bent.
- Keep abs tight and a good spinal alignment.
- Do not increase the arch in the lower back as you raise your arms. Keep your spine steady.



START



FINISH

### START

- Grab the dumbbells and stand up straight.
- Keep your chest lifted, abs tight and a slight arch in the lower back.
- Raise the dumbbells to shoulder height, keeping your palms facing forward.
- Upper arms should be 90 degrees away from your torso and your elbows should be bent to 90 degrees, as shown.

### ACTION

- Straighten your arms slowly over your head, focusing on moving your elbows up and inward toward your ears.
- Straighten your arms slowly over your head, focusing on moving your elbows up and inward toward your ears.
- Slowly return to the starting position, keeping tension on your front shoulder muscles through the entire motion.

## Lateral Raise

### Muscles worked

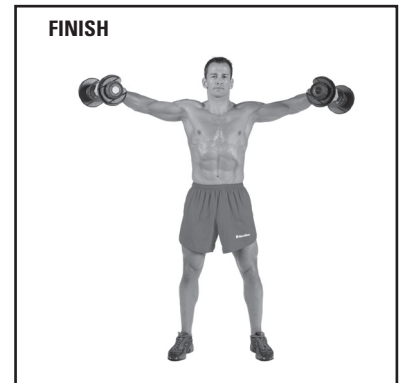
Front and middle deltoids

### Success tips

- Do not swing the arms upward or move the trunk during the motion.
- Maintain good spinal alignment.



START



FINISH

### START

- Grab the dumbbells with the palms facing each other.
- Stand with your feet slightly wider than shoulder width apart.
- Maintain an erect spinal alignment with the chest lifted, abs tight and a slight curve in the lower back.

### ACTION

- Raise arms directly outward, then upward, to approximately shoulder height.
- Lift your hand and elbow at the same speed.
- Do not turn or rotate your arms while raising them.
- Keep the side of your arm/elbow facing out/up throughout the movement.

# Shoulder Exercises

## Seated Overhead Press

### Muscles worked

Front deltoid, upper traps and triceps

### Success tips

- Keep feet flat on the floor and directly under your knees.
- Keep abs tight and a good spinal alignment.
- Do not increase the arch in the lower back as you raise your arms. Keep you spine steady.



### START



### START

- Grab the dumbbells and sit up straight.
- Keep your chest lifted, abs tight and a slight arch in the lower back.
- Raise the dumbbells to shoulder height, keeping your palms facing forward.
- Upper arms should be 90 degrees away from your torso and your elbows should be bent to 90 degrees as shown.

### FINISH



### ACTION

- Straighten your arms slowly over your head, focusing on moving your elbows up and inward toward your ears.
- Slowly return to the starting position, keeping tension on your front shoulder muscles through the entire motion.

## Front Raise

### Muscles worked

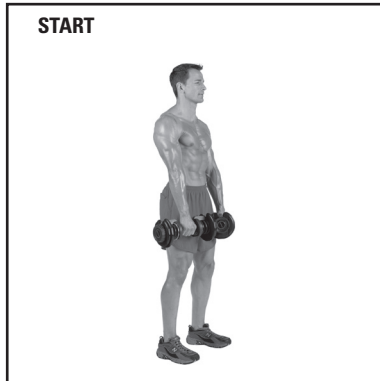
Front deltoid

### Success tips

- Keep knees slightly bent.
- Keep abs tight and a good spinal alignment.
- Do not increase the arch in the lower back as you raise your arms. Keep you spine steady.



### START



### START

- Grab the dumbbells and stand up straight.
- Feet should be approximately shoulder width apart.
- Keep your chest lifted, abs tight and a slight arch in the lower back.
- Hold the dumbbells in front of you with your palms facing back.

### FINISH



### ACTION

- Keep the arms straight and the palms facing down, move your arms forward and then upward to shoulder height.
- Slowly return to the starting position, keeping tension on your front shoulder muscles through the entire motion.

# Shoulder Exercises

## Rear Delt Row

### Muscles worked

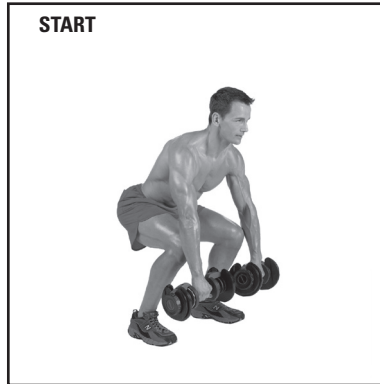
Back of the middle deltoid, the rear deltoid, posterior rotator cuff, trapezius and rhomboids.



### Success tips

- Keep your spine and hips stable and do not allow your body to sway during the motion.
- For normal pulling exercises you may choose to let the shoulder blades float forward and backward naturally. However, for more emphasis to the rear deltoid, keep the shoulder blades pinched together throughout the movement.
- Keep your abs tight, chest lifted and maintain a slight arch in your lower back.

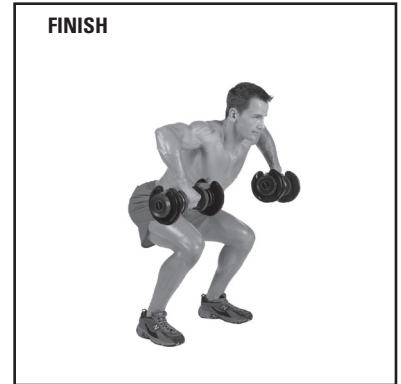
### START



### START

- Stand with your feet approximately shoulder width apart.
- Grab the dumbbells with your palms facing back.
- Bend forward at the knees and hips so that your arms will hang slightly in front of your knees holding the dumbbells.
- Keep your head/neck in line with your spine, as shown.

### FINISH



### ACTION

- Allow your arms to bend as you move your elbows upward keeping a 60-80 degree angle between your arms and your torso.
- Your forearms should always point in the direction of the dumbbells.
- Move till your elbows are slightly behind your shoulders, then slowly reverse the motion, keeping tension on the rear shoulder muscles during the entire motion.

## Shrugs

### Muscles worked

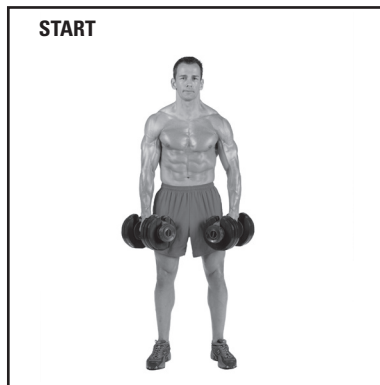
Upper trapezius



### Success tips

- Do not bend the neck backward or forward while raising the shoulders.
- Keep abs tight and a good spinal alignment.
- Make sure both shoulders are raised evenly.

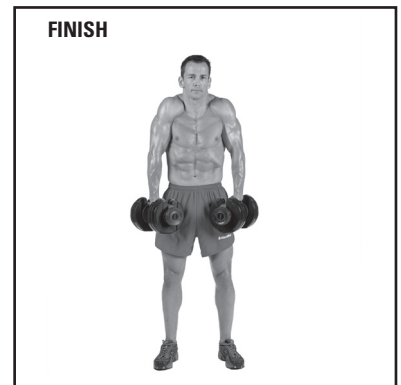
### START



### START

- Grab the dumbbells and stand up straight.
- Feet should be approximately shoulder width apart.
- Keep your chest lifted, abs tight and a slight arch in the lower back.
- Hold the dumbbells naturally to your sides.

### FINISH



### ACTION

- Raise your shoulders toward the back of your head, making sure your neck/head position does not move.
- Slowly return the shoulders to the starting position, keeping tension on your upper shoulder and neck muscles through the entire motion without slouching or rounding your upper spine.



# Muscle Chart

