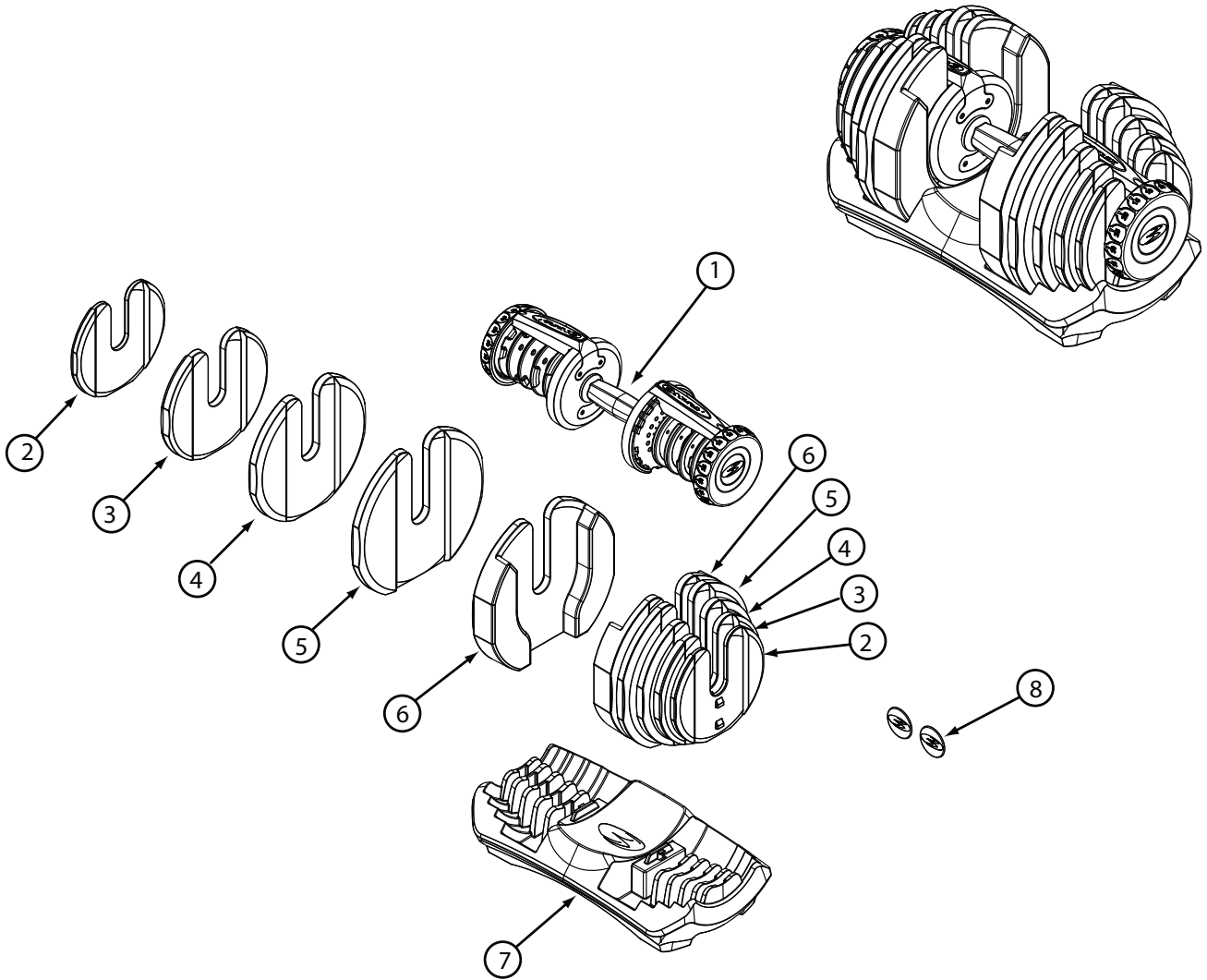


TITLE: EXP VIEW DWG- BFX 1090			
DRAWN: J.MORGAN	DOC. PART NO. 005-0300	PRODUCT SKU NO. 710000	REV. A
DATE 01/25/2012			



Handle retainer strap for
retail display: 001-4708