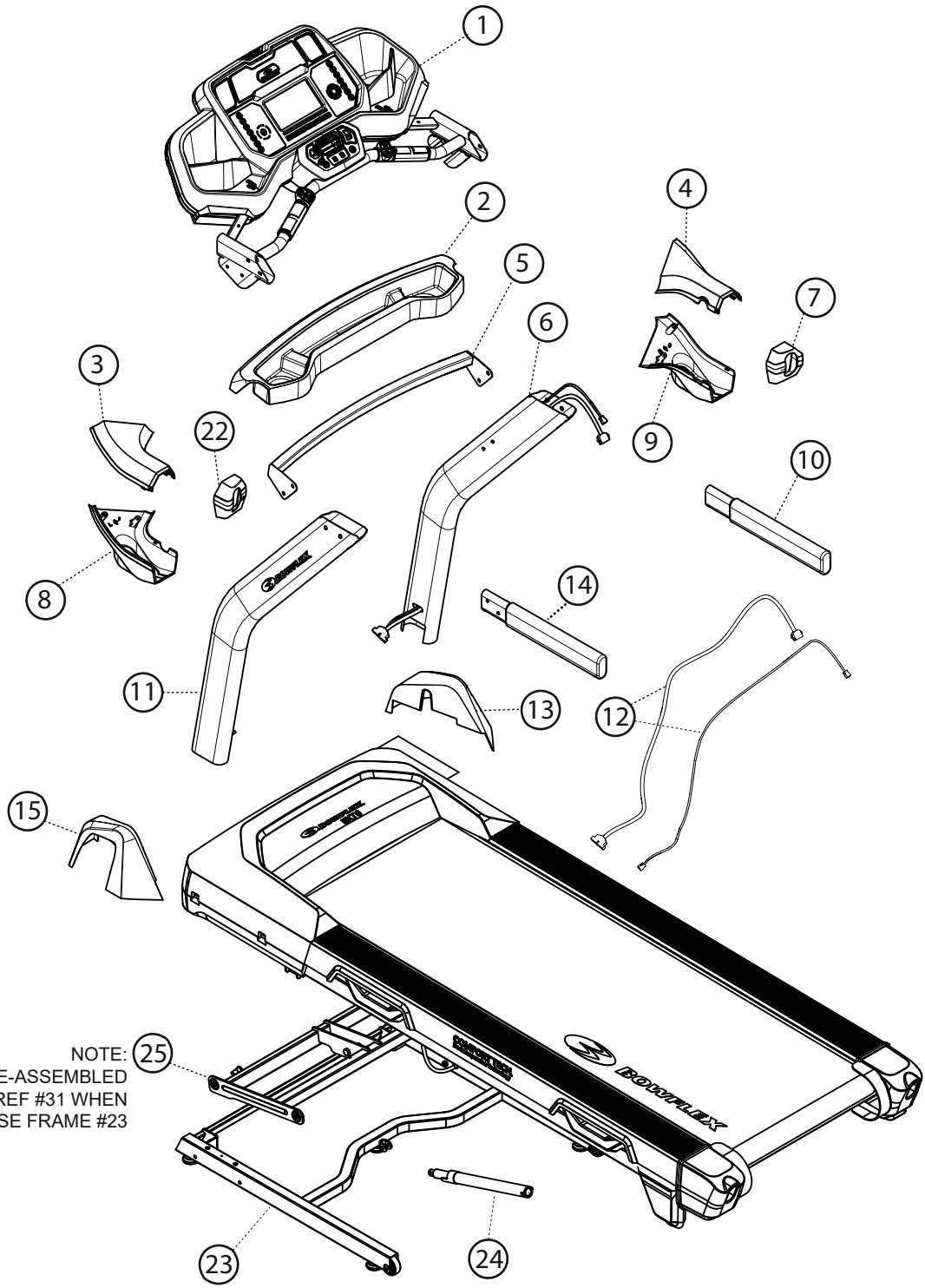
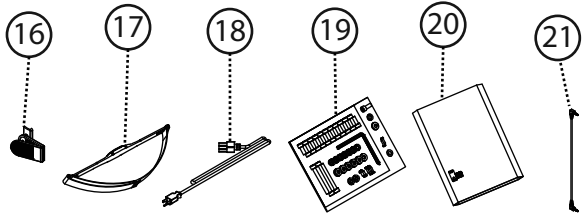
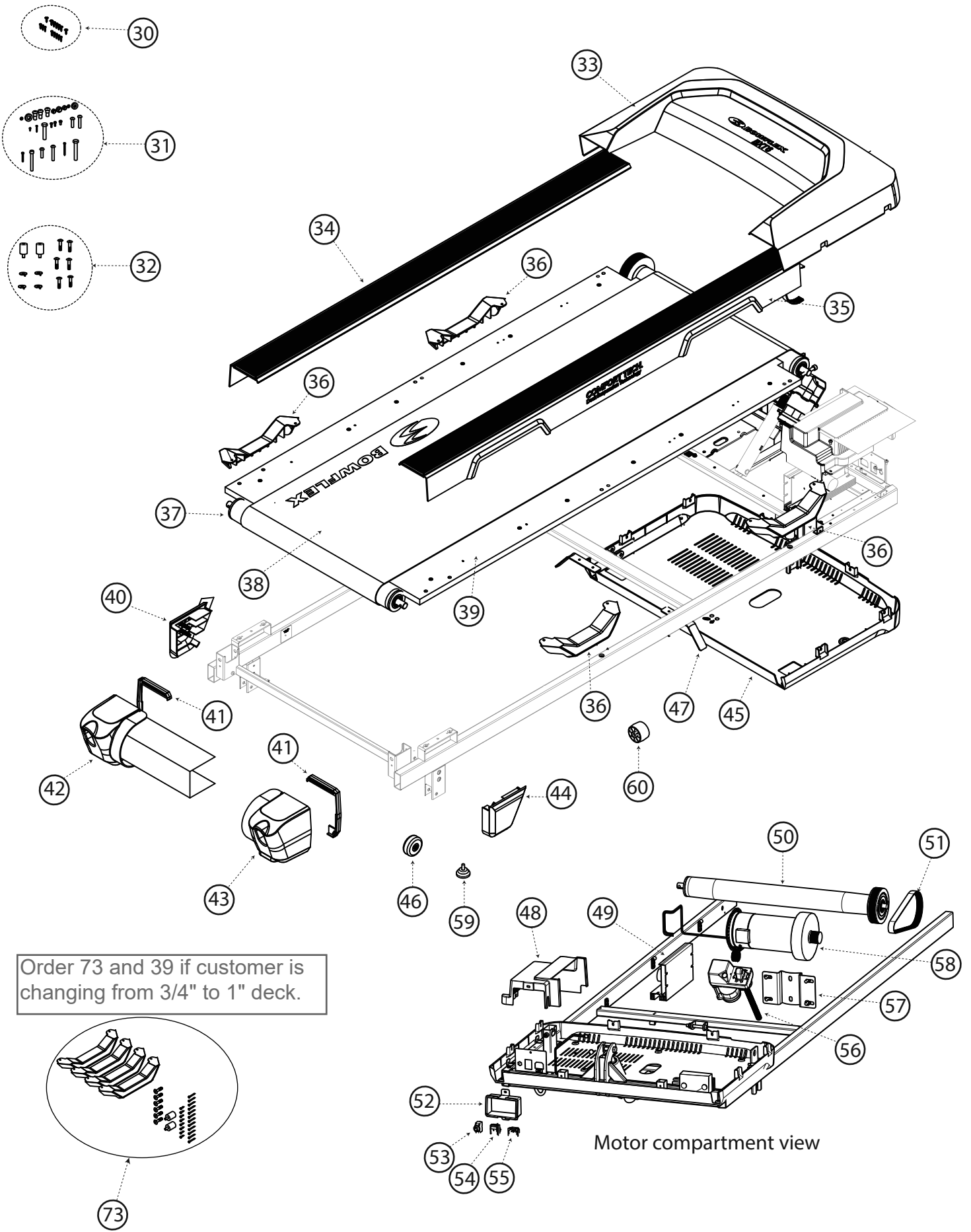


TITLE: <b>EXP VIEW DWG- BOWFLEX BXT6</b>			
DRAWN R. Peterson	DOC. PART NO. 100778-W	PRODUCT SKU NO. 100778	REV. L
DATE 08/10/2020			



NOTE: (25)  
SEND PRE-ASSEMBLED  
HDW REF #31 WHEN  
SENDING BASE FRAME #23





Order 73 and 39 if customer is changing from 3/4" to 1" deck.

